

EVN 15



short description

Window fan for air extraction

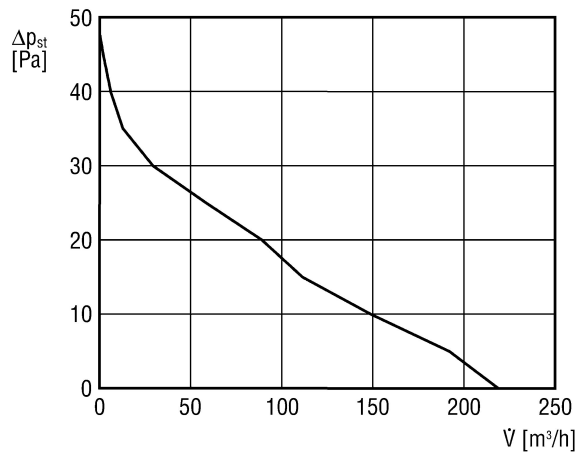
Article number 0080.0853

Technical Data

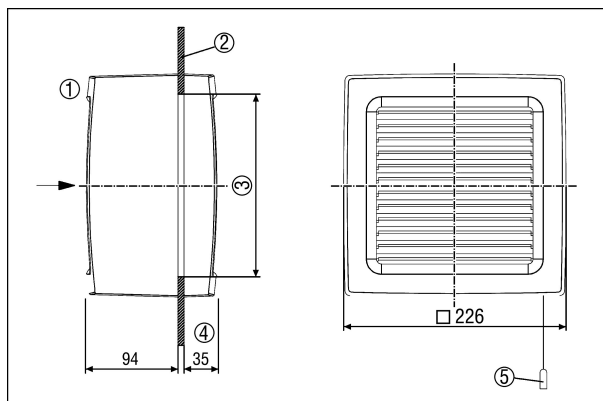
Air flow volume	240 m ³ /h
Rotating speed	1,550 1/min
Air direction	Air extraction
Reversing capacity	—
Type of voltage	Alternating current
Rated voltage	230 V
Frequency	50 Hz
Nominal output	25 W
I _{max}	0.15 A
Degree of protection (IP)	24
Mains cable	3 × 1.5 mm ²
Installation site	Window, Wall
Type of installation	Surface-mounted
Material	Synthetic material
Colour	Traffic white, similar to RAL 9016
Weight	1.6 kg
Type of shutter	Airstream-operated opening/closing
Nominal size	150 mm
Airstream temperature at I _{Max}	40 °C
Sound pressure level	41 dB(A)
Range	C
EAN	4012799808534
Total L _{WA7} , high (housing and free inlet sound power level)	48 dB(A)

EVN 15

Characteristic curve



Dimensions [mm]



- ① Inside
- ② Window
- ③ Window cut-out: Minimum diameter is 184 mm, maximum diameter is 195 mm
- ④ 15 mm more with open lamella
- ⑤ Pull-cord only for EVN 15 P