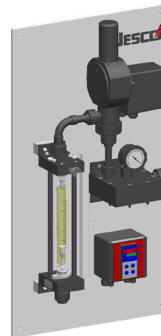


Reliable technology for every need

Chlorinator C 2526



Use

The most common use for vacuum chlorinators is disinfecting water in waterworks, cooling towers or in treatment plants for water processing. All these uses require automated chlorinators

The C 2526 equipment series combines classic chlorinators for manual use with automated elements. Remote control is via standard signals.

C 2526 is a DIN 19606-compliant vacuum chlorinator which is used for dosing dangerous gases such as chlorine, sulphur dioxide or ammonia. Gas escapes are impossible as pressure in all parts of the chlorinator are lower than atmospheric pressure.

Modular system with options

The dosage is set manually in devices in the standard range and displayed on the float-type flow meter made of high-resistance glass. On devices with automatic control valve the dosage can be set remotely using standard signals. The control valve has a nozzle system which has been specially developed for use with chlorine – highly chemical-resistant and insensitive to soiling.

The C 2526 can be fitted with a signal converter as an option, which allows the chlorinator to be matched very well to the given application. Possible reasons for use include:

- The chlorinator selected was too large.
- The process requires variable dosage concentrations, depending on season, for instance.

The series back-pressure regulator controls the pressure conditions in the device and ensures exact dosing. It is fitted with a vacuum meter – with the option of a threshold value switch.

Functions

- Vacuum technology compliant with DIN 19606
- Glass flow meter
- Highly chemical-resistant materials
- Automatic control valve (optional)
- Signal converter (optional)
- Back-pressure regulator
- Vacuum meter

C 2526/SL

All function groups are mounted in a free-standing cabinet. The operating and display elements are on the front. All assembly components are easily accessible from the rear for maintenance tasks.

C 2526/WL

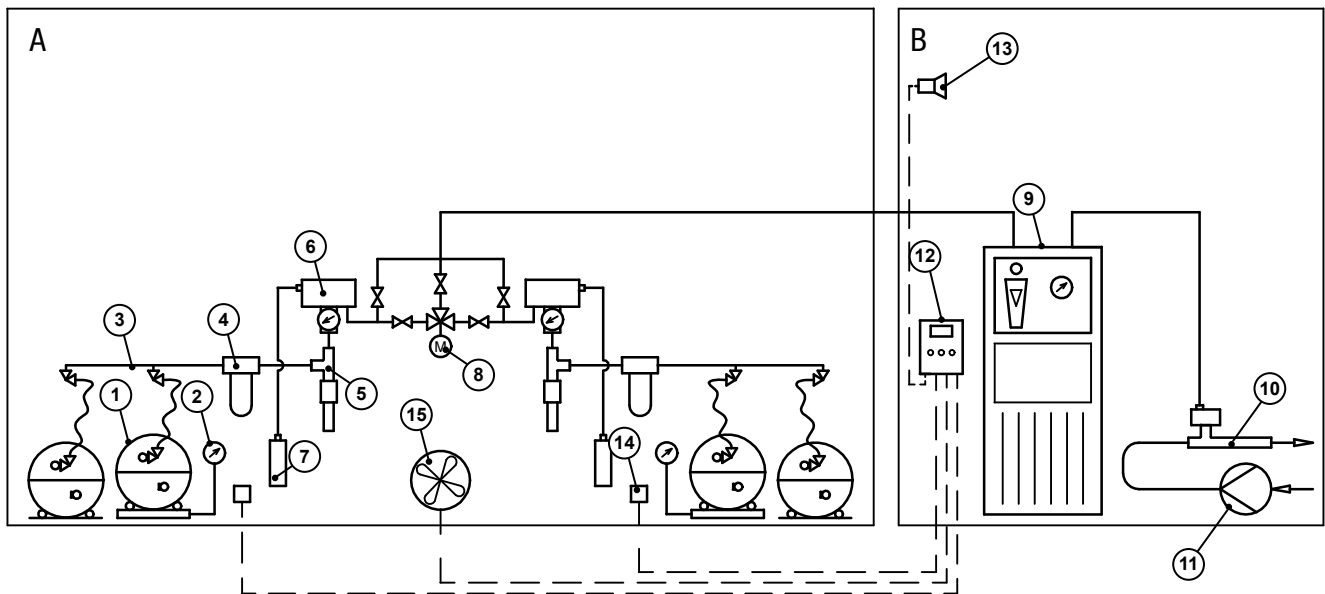
The function groups are mounted on a plastic panel. Operation and service is performed from the front.

Technical data

Chlorinator C 2526			
dosage range		kg/h Cl ₂	5 / 10 / 15 / 25
Operating vacuum		mbar	-100
Required injector vacuum		mbar	-250
adjustable flow range		%	0 – 100
Ambient temperature		°C	0 – 40 (no direct sunlight)
Flow meter	Length / scale ratio	mm	300 / 1:20
	Accuracy		± 2 % of final scale reading
Vacuum meter	Measuring range	bar	-1 – 0, ± 2,5 %
	Size	mm	Ø63
Material in contact with the media			PVC, PMMA, Hastelloy, FPM
Weight	Wall device	kg	15 approx.
	Free standing cabinet		43 approx.

Consult separate data sheets for the technical data relating to the automatic control valve and signal converter.

Installation example

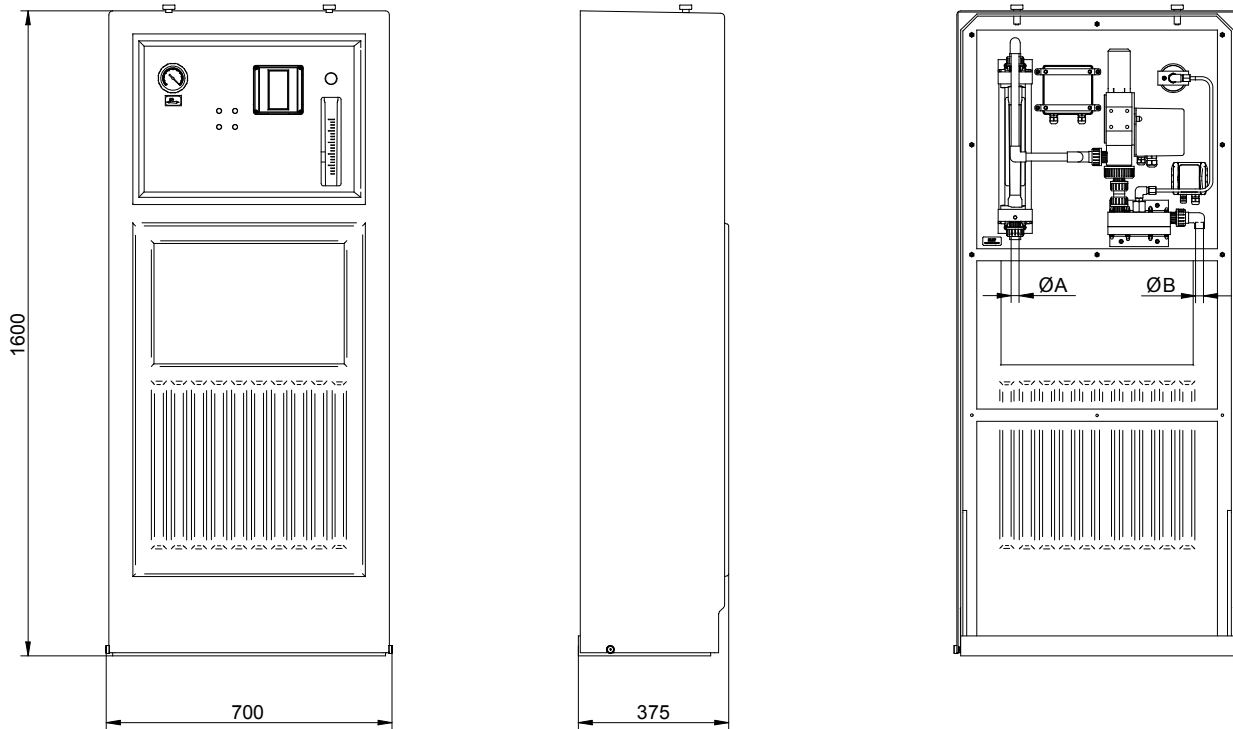


Item	Description
A	Room for the chlorine supply
B	Dosing device room
1	Chlorine barrel
2	Chlorine barrel scale
3	Pressurized manifold
4	Chlorine gas filter
5	Moisture eliminator with heating collar
6	Vacuum regulator
7	Activated carbon cartridge

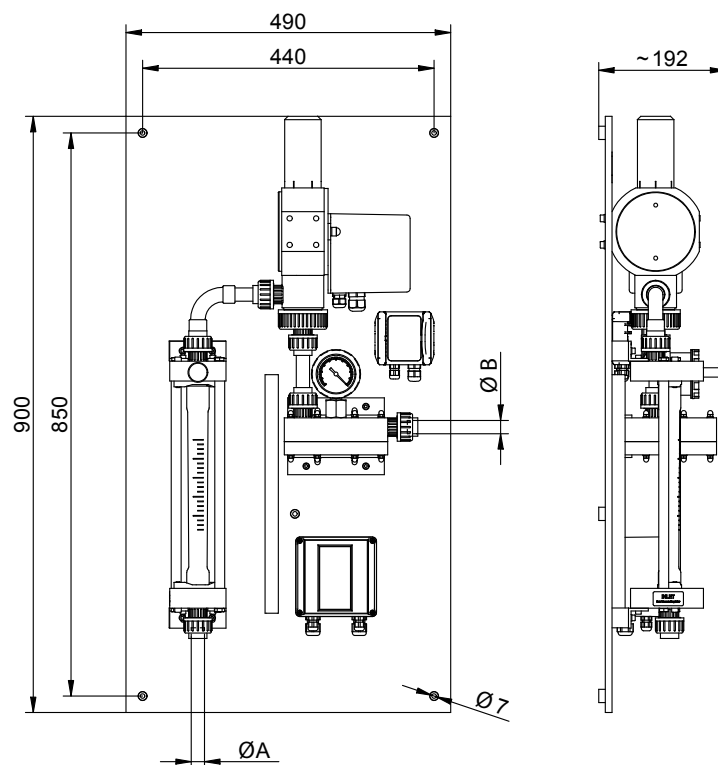
Item	Description
8	Changeover unit with 5 service valves
9	Dosing device
10	Injector with non-return valve
11	Motive water pump
12	Gas warning device
13	Horn
14	Gas sensor
15	Entrance port of the chlorine eliminator

Dimensions SL / WL

All dimensions in millimetres (mm).



Power output	Input ØA and Output ØB
up to 25 kg/h	PVC screw connection DN15 / $\text{Ø}20$ mm





Product Range

Lutz Pumpen GmbH
 P.O. Box 1462 • D-97864 Wertheim
 www.lutz-pumpen.de



Barrel and Container Pumps



Flow Meters



Double Diaphragm Pumps



Centrifugal Pumps

Product Range

Lutz-Jesco GmbH
 P.O. Box 100164 • D-30891 Wedemark
 www.lutz-jesco.com



Dosing Pumps



Chlorinators



Chemical Centrifugal Pumps



TECHNOPOL®
 Products for the disinfection of swimming pool water based on salt water electrolysis and domestic water technology



Measuring and Control Equipment



Disinfection



Standard Plus



The Lutz-Jesco App for iPads and iPhones is available from the iTunes App Store.
 Additional information can be found at www.lutz-jesco.com



Headquarters
Lutz-Jesco GmbH
 Am Bostelberge 19
 30900 Wedemark
 Germany

Tel.: +49 5130 5802-0
 Fax: +49 5130 580268

E-mail: info@lutz-jesco.com
 Website: www.lutz-jesco.de

Hungary
Lutz-Jesco Üzletág
 Vasvári P. u. 9.
 9024 Győr
 Hungary

Tel.: +36 96 523046
 Fax: +36 96 523047

E-mail: info@lutz-jesco.hu
 Website: www.lutz-jesco.hu

Austria
Lutz-Jesco GmbH
 Aredstraße 7/2
 2544 Leobersdorf
 Austria

Tel.: +43 2256 62180
 Fax: +43 2256 6218062

E-mail: info@lutz-jesco.at
 Website: www.lutz-jesco.at

Netherlands
Lutz-Jesco Nederland B.V.
 Nijverheidstraat 14 C
 2984 AH Ridderkerk
 Netherlands

Tel.: +31 180 499460
 Fax: +31 180 497516

E-mail: info@lutz-jesco.nl
 Website: www.lutz-jesco.nl



Great Britain
Lutz-Jesco (GB) Ltd.
 Gateway Estate
 West Midlands Freeport
 Birmingham B26 3QD
 Great Britain

Tel.: +44 121 782 2662
 Fax: +44 121 782 2680

E-mail: info@lutz-jesco.co.uk
 Website: www.lutz-jesco.co.uk

USA
Lutz-JESCO America Corp.
 55 Bernar Park
 Rochester, N.Y. 14624
 USA

Tel.: +1 585 426-0990
 Fax: +1 585 426-4025

E-mail: mail@jescoamerica.com
 Website: www.lutzjescoamerica.com

East Asia
Lutz-Jesco East Asia Sdn Bhd
 6 Jalan Saudagar U1/16
 Hicom Glenmarie Industrial Park
 40150 Shah Alam/ Selangor
 Malaysia

Tel.: +603 55692322
 Fax: +603 55691322

E-mail: info@lutz-jescoasia.com
 Website: www.lutz-jescoasia.com

Middle East
Lutz-Jesco Middle East FZE
 P.O. Box 9614
 SAIF-Free Zone Center
 Sharjah
 UAE

Tel.: +971 6 5572205
 Fax: +971 6 5572230

E-mail: info@jescome.com
 Website: www.jescome.com

