

GMÖHLING

**Aluminium
Transport & Logistics Equipment**
for the textile industry





GMÖHLING Transportgeräte GmbH
Since 1941 partner of the textile industry
- made in Germany -

Tailor-made logistic solutions!

Gmöhling has over 75 years of expertise in manufacturing aluminium containers for the textile industry in Germany. Our product range extends from trolleys for fabric transport, flyer bobbins, bobbin doffers through tube doffing boxes & tube boxes for ring spinning machines (e.g. Zinser/Rieter) up to individual transport containers and spring-loaded base trolleys. Of course all also available in versions suitable for steaming machines and in tailor made sizes.



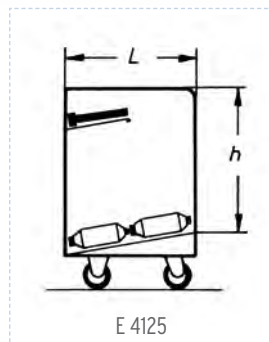
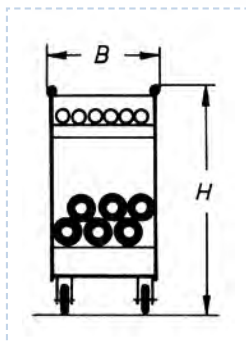
Since decades our logistic solutions for the textile industry are in use all around the world. Thanks to our expertise, quality and our distributors' network we are the first-choice-manufacturer in this industry.

Roving bobbin trolley E 41

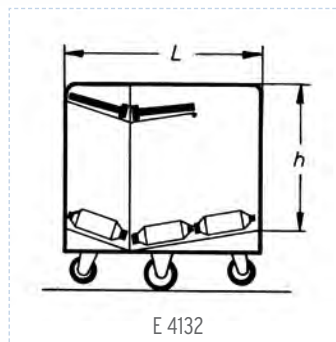
Material: aluminium



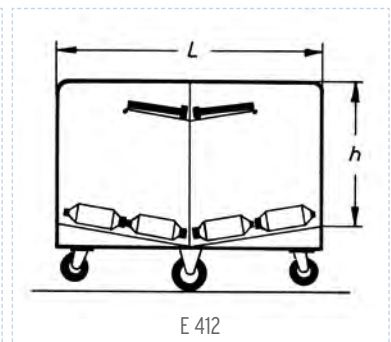
E 4132



E 4125



E 4132



E 412

Also available with compartments for empty tubes.
Slanting bottom where the bobbins and tubes can be safely stacked.



Chassis:

- 2 fixed and 2 swivel castors
- full rubber wheels with a diameter of 125, 160 or 200 mm (depending on the load)
- roller bearings and threadguards

Application:

- doffing of roving bobbins at the flyer or finisher;
- withdrawal of empty tubes from the tube compartment for replenishing
- transport and intermediate storage of bobbins

Result:

- a safe and time saving handling of bobbins and tubes with an ergonomic working method

Required technical specifications for quotations:

- number of bobbins per trolley, dimensions of the bobbins and width of the alley between the machines
- castor arrangement see page 12

Alternative transport equipment:

- trolley D 14 or D 04... with spring-loaded bottom
- trolley D 3...

BOBBIN TRANSPORT



Roving bobbin G[®]-ERGO trolley with spring-loaded base

Material: aluminium | plain or anodised

The spring-loaded base keeps the bobbins at an almost constant height: this avoids physical strain on the workers and protects the yarn when loading and unloading the trolley.



Application:

- doffing of roving bobbins at the flyer or finisher
- transport and intermediate storage of the bobbins
- direct feed of the bobbins onto the creels of the ring spinning machine
- also recommended for the transport of empty tubes

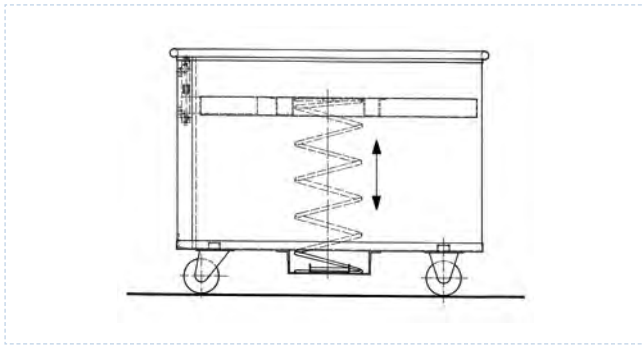
Required technical specifications for quotations:

- diameter and tube length of a bobbin
- number of spindles per flyer or per finisher
- gross weight of a bobbin (minimum and maximum)
- narrowest width of the alley between the machines
- castor arrangement see page 12

Alternative transport equipment

- trolley E 41
- trolley D 3...





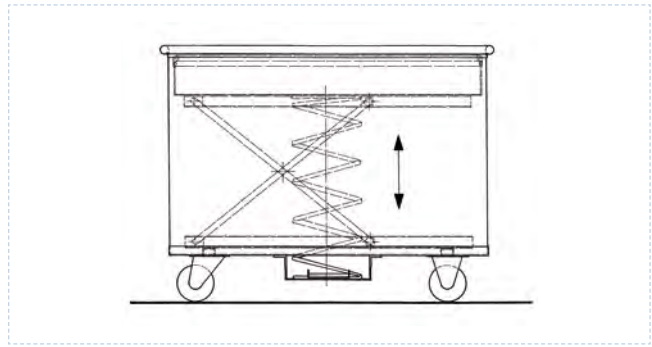
Trolley with spring-loaded bottom G®-ERGO D 1408 and G®-ERGO D 5408 with sliding guidance, aluminium & anodised

Thanks to 8 ball-bearings guided in robust extrusions, the constant function of the base is guaranteed even if the load is not equally distributed.

The spring systems consists of several spring which can be adapted later on as required by adding, reducing or by exchanging the tension spring.

Application:

- as roving bobbin trolley
- as bobbin trolley



Trolley with spring-loaded bottom D 04 based on pantographic system, aluminium & anodised

The parallel guiding of the bottom is realised by the pantographic mechanism; the base can be box-shaped which reduce the friction between the walls and the load (especially recommended for small dimensioned yarn bodies: cops).

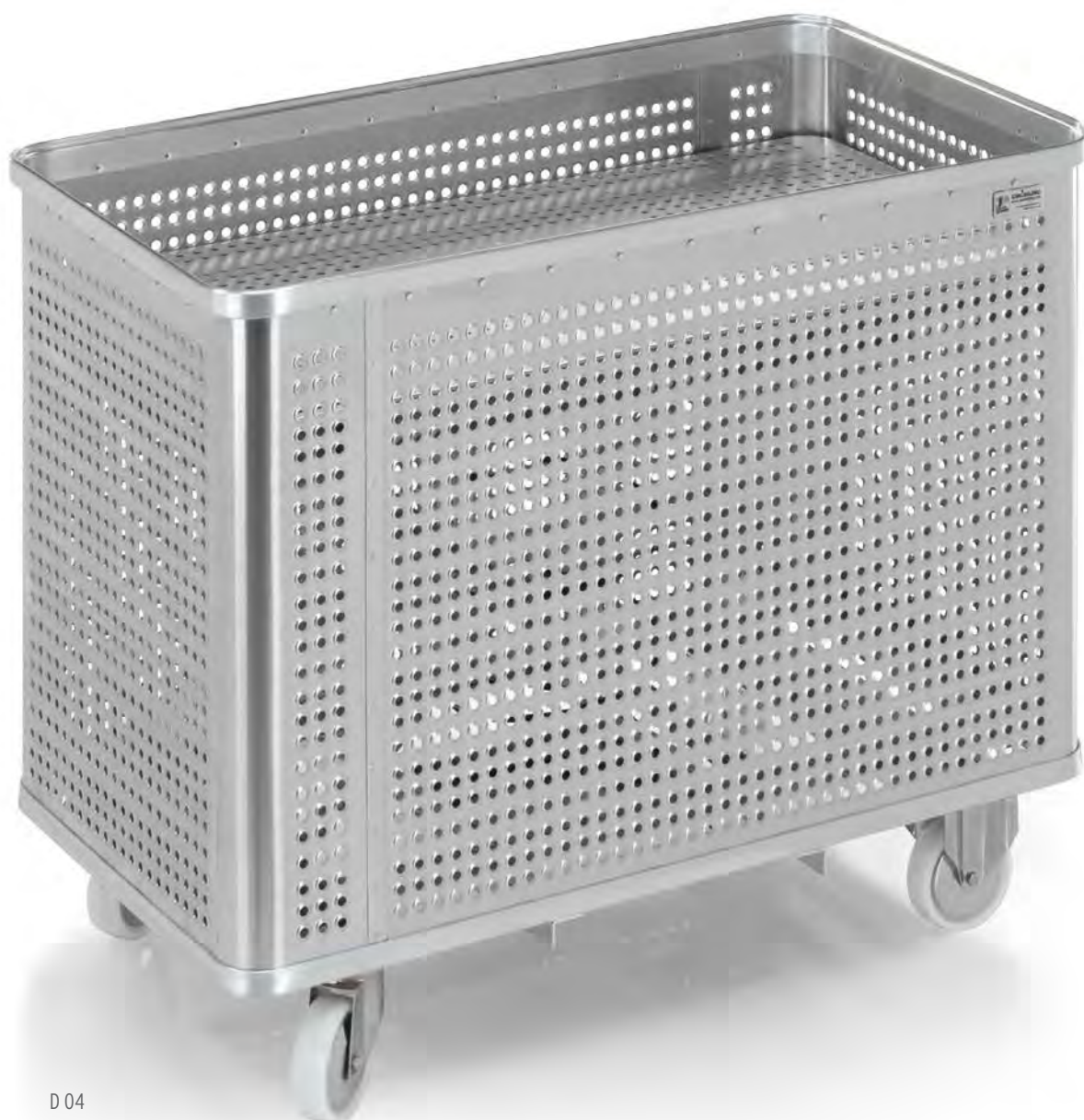
The spring force can be adjusted by exchanging the main spring. The perforated version is suitable for use in the steamer. See page 8.

This system can also be integrated into containers and trolleys.



Cops trolley with spring-loaded base D 04

Material: aluminium



D 04

Walls and spring-loaded bottom are perforated with holes of a diameter of 10 mm; the distance between the centers of the holes is 22,5 mm. To avoid damages to the yarn due to friction between yarn and walls and to reduce the surfaces of contact, the rims of the holes in the walls are embossed towards the outside.

On demand the trolley can be produced to be used with tilting device.

Application:

- reception of cops at the ring spinning machine
- careful treatment of cops and tubes by reduction of the falling height
- transport to the automatic cross bobbin winder with filling device, or to the cross bobbin winder with cops magazines for manual feeding
- the spring-loaded base keeps the cops at a constant level so that the worker does not have to bend over any more and unnecessary physical strain is avoided
- wheel arrangement see page 12

Chassis:

- 2 fixed and 2 swivel castors
- full rubber wheels with a diameter of 125, 160 or 200 mm (depending on the weight of the load)
- roller bearings and threadguards

For use in the steamer the tyres consist of heatresistant polyamide and the material of the axles is rust-proof. Technical data see page 7.



spring-loaded bottom

Required technical specifications for quotations:

- internal dimensions (length x width x height)
- weight of load
- kind of load
- steaming requirement if applicable

BOBBIN TRANSPORT



Yarn steaming trolley

G[®]-TRANS D 3008 and D 04 with spring-loaded base

Material: aluminium | perforated



G[®]-TRANS D 3008/430 P

D 04

Other devices and anodised on demand.

All yarn steaming trolley have the following in common: the walls and the bottom are perforated with holes of 10 mm diameter; distance between the centers of the holes: 22,5 mm; to reduce the contact between yarn and walls as much as possible the rims of the holes can be embossed towards the outside.

Yarn steaming trolley G[®]-TRANS D 3008 perforated in aluminium

Application:

- doffing of cops at ring spinning machines with automatic doffers
- steaming of yarn in steamers; feeding at cross bobbin winders with feed device (preparation station)
- steaming of cross bobbins in the steamer

Required technical specifications for quotations:

- internal dimensions (length x width x height)
- passage cross cut of the steamer

Yarn steaming trolley with spring-loaded base D 04

Application:

- doffing of cops at ring spinning machines with automatic doffing device
- the spring-loaded bottom reduces the falling height of the cops and thus damages to the sensible yarn and tubes
- steaming of cops in the steamer
- feeding of cross bobbins winders with feeding device (preparation station)
- steaming of cross bobbins

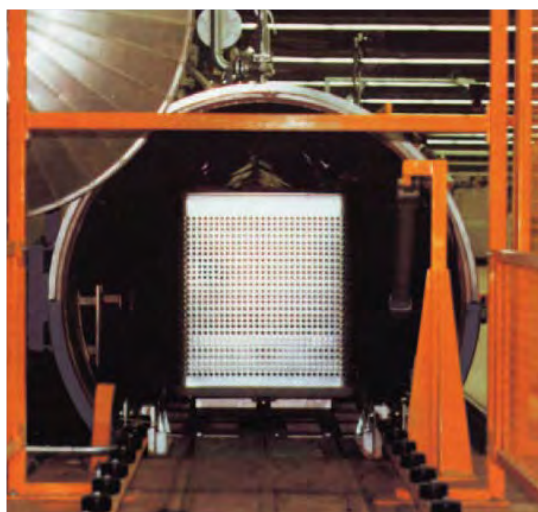
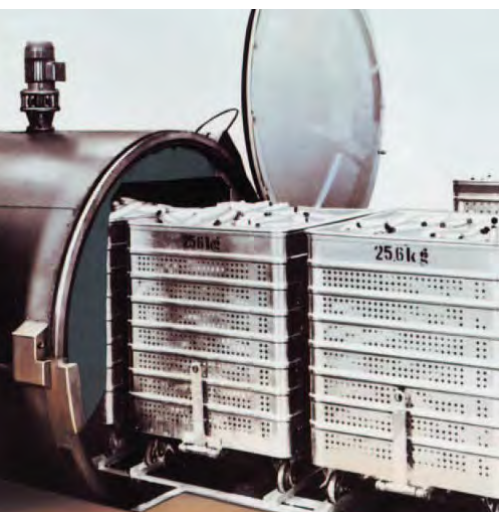
Required technical specifications for quotations:

- internal dimensions (length x width x height)
- weight of load
- dimensions of the cross section of the passage of the steamer
if a boxed-shaped base is required

Alternativ transport equipment:

- stacking container A 115 or A 1155

STEAMING OF COPS AND BOBBINS



G[®]-TRANS trolley D 3...

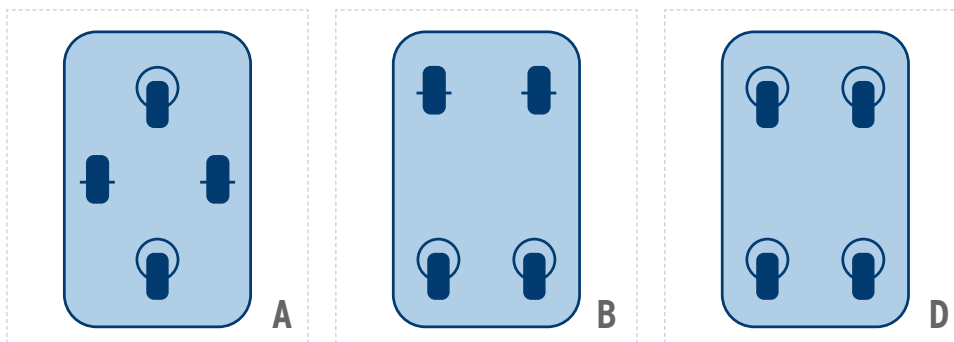
Material: aluminium

G[®]-TRANS D 3508 and D 3708



for easy loading and unloading of the goods

Wheel arrangement



Custom size and anodised version on demand.

Walls reinforced with all-round trapezoidal beading (rib). Plain bottom supported by the chassis.

Chassis:

- 2 fixed and 2 swivel castors
- dimensions and castor arrangement based on your requirements



Application:

- transport and storage of roving bobbins, cops, tubes, cross bobbins, hank yarn and waste
- in perforated version to be used in steamer or in air-conditioned rooms
- all types of trolleys are also available in a stackable version

Required technical specifications for quotations:

- wheel arrangement, weight of load, if an anodised version and any additional elements are required
- internal dimensions (length x width x height),
or number of yarn bodies or tubes per trolley, their dimensions and whether they will be put in order or in disorder into the trolleys
- volume and in case applicable maximal outside dimensions

COP, TUBE AND BOBBIN TRANSPORT



Cops trolley G[®]-TRANS D 3008

Material: aluminium



G[®]-TRANS D 3008/330 B

G[®]-TRANS D 3008/430P

Application:

- reception of cops during the automatic doffing procedure and transport to the automatic bobbin winders
- in perforated version usable steaming

Required technical specifications for quotations:

- internal dimensions of the trolley (length x width x height) and - if applicable - maximum external dimensions, or number of spindles per ring spinning machine and its brand, ring diameter and length of tube
- brand and type of automatic bobbin winder
- wheel arrangement see page 12

Alternative transport equipment:

- cops trolley D 04 with spring-loaded base

COP AND TUBE TRANSPORT



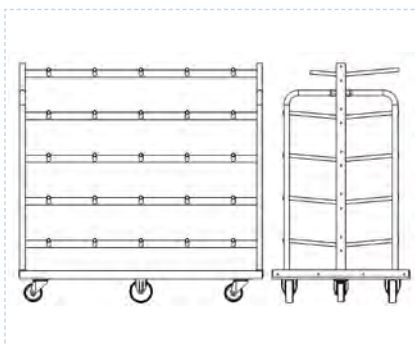
Bobbin trolley E 42

Material: aluminium



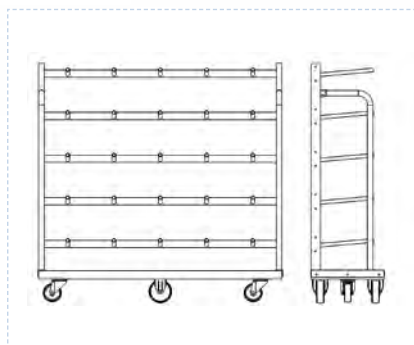
E 4210

Characteristics of the models:



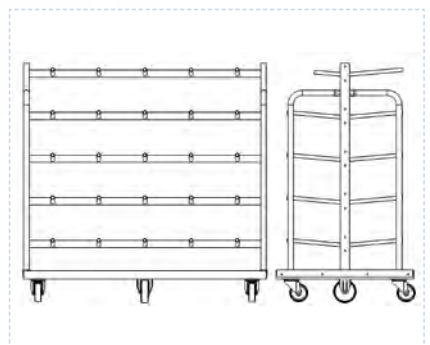
E 4210

Tube pins, arranged on both sides of the trolley, accessible from both length sides.



E 4211

Tube pins, arranged on one side of the trolley, accessible from one length side.



E 4212

Tube pins, arranged on both sides of the trolley, accessible from both front sides.

All bobbin trolleys E 42 have very robust rounded pin holder tubes.
Size, arrangement and number of pins according to your requirements.

Chassis:

- 2 fixed and 2 swivel castors
- with galvanized wheel forks
- full rubber wheels with a diameter of 125, 160 or 200 mm (depending on the load weight)
- roller bearings and threadguards
- when used in the steamer the tyres consist of heat-resistant polyamide with roller bearings, and the axles are made of rust-proof refined steel

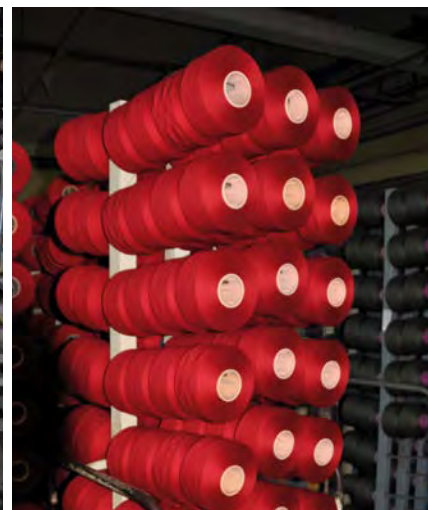
Application:

- transport of all kinds of bobbins
- steaming, humidifying and controlling of bobbins

Required technical specifications for quotations:

- maximum external dimensions (length x width x height)
- number of bobbins per trolley
- diameter of the bobbins; gross weight of one bobbin
- 1 sample of a tube (or internal diameter and length of the tube)
- dimensions of the cross section of the passage of the steamer, or dimensions of the cross section of the entrance and depth of the humidification chamber
- wheel arrangement see page 12

STEAMING OF COPS AND BOBBINS



Top truck E 1001

Material: aluminium

Operational from both sides due to foldable grids.

Chassis:

- 2 fixed and 2 swivel castors
- full rubber wheels with 200 mm diameter
- roller bearings and threadguards

Application:

- reception and opening of bales containing combed sliver balls within the trolley
- storage and transportation of combed sliver balls to the machines

Required technical specifications for quotations:

- internal dimensions (length x width x height), weight of the load



E 1001

LAP TRANSPORT



Cloth collecting trolley E 2001

Material: aluminium

Plain bottom, walls reinforced by ribs and frame profile to guarantee maximum of stability.

Chassis:

- 2 fixed and 2 swivel castors
- full rubber wheels or unbreakable plastic material with a diameter of 200 mm, roller bearings and threadguards

Application:

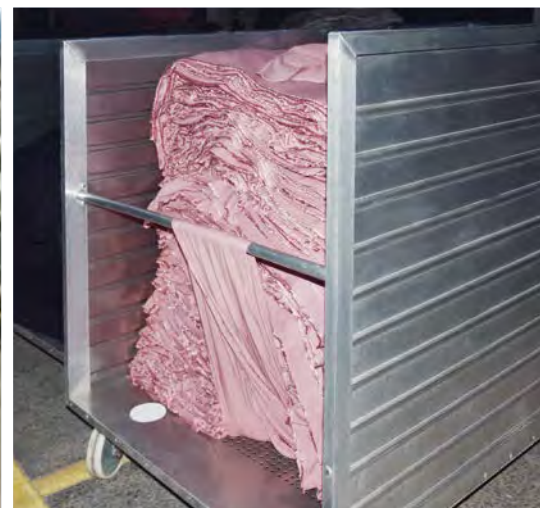
- stacking of fabric in front of weaving machines, measuring and finishing machines
- transport and storage of cloths

Required technical specifications for quotations:

- internal dimensions (length x width x height)
- weight of load consisting of dry or wet cloth



CLOTH TRANSPORT



Rotating trolley S 5 or S 55

Material: aluminium

Trolley S 55 can be freely rotated on the chassis.

Plain walls, with or without hook for the net, perforated bottom for water drainage with cone.

Chassis:

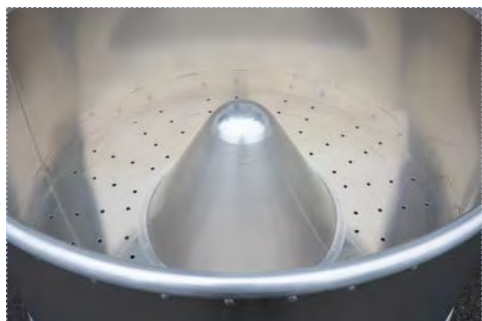
- 2 fixed and 2 swivel castors
- unbreakable plastic material with a diameter of 160 or 200 mm, roller bearings and threadguards

Required technical specifications for quotations:

- internal dimensions (diameter x height)
- weight of load
- fix chassis or rotating bin

Application:

- transport of bobbins, yarn, hanks and tissue to the centrifuges
- centrifuge feeding



S 55

DYEING OF YARN AND TISSUE



Cops steaming G[®]-CRATE A 152

Material: aluminium | perforated

The perforation of the walls and the bottom consists of holes with a diameter of 10 mm with a distance between the centers of the holes of 22,5 mm. Alternatively holes of 5 mm diameter with a distance between the centers of the holes of 7 x 8 mm (only for smooth walls without any ribs).

To reduce the contact between yarn and wall as much as possible the rims of the holes with a diameter of 10 mm can be embossed towards the outside. Also suitable for transport on roller conveyors. Anodised on demand.

Application:

- manual doffing of cops at ring spinning machines and ring twisters
- steaming of yarn in the steamer
- feeding of cross bobbin winders

Required technical specifications for quotations:

- internal dimensions length x width x height (ext. dim. = +30 mm)
- dimensions of the cops (diameter and length) and the quantity of cops per box and dimensions of the cross section of the passage of the steamer

Walls plain or reinforced by trapezoidal beadings (ribs), robust upper and lower rims, 2 handles.



G[®]-CRATE A 152

STEAMING OF COPS AND BOBBINS



Tube doffing box

Material: aluminium | stackable



A 392 K



Models A 391 R up to A 393 R for Zinser Cowemat
Models A 491 R up to A 495 R for Rieter Doffer



Models A 392 K up to A 394 K for Zinser Cowemat

Functional dimensions in accordance with the dimensions indicated by the machine manufacturers.
Recommended to feed the tube assorting machine.

Application:

- feeding of spinning tubes on ring spinning machine with automatic doffing

Required technical specifications for quotations:

- brand of the doffer
- number of spindles per ring spinning machine
- length, upper and lower external diameter of the tube or a sample of the tube or manufacturer's model number for the box (used with ring spinning machine or doffer)



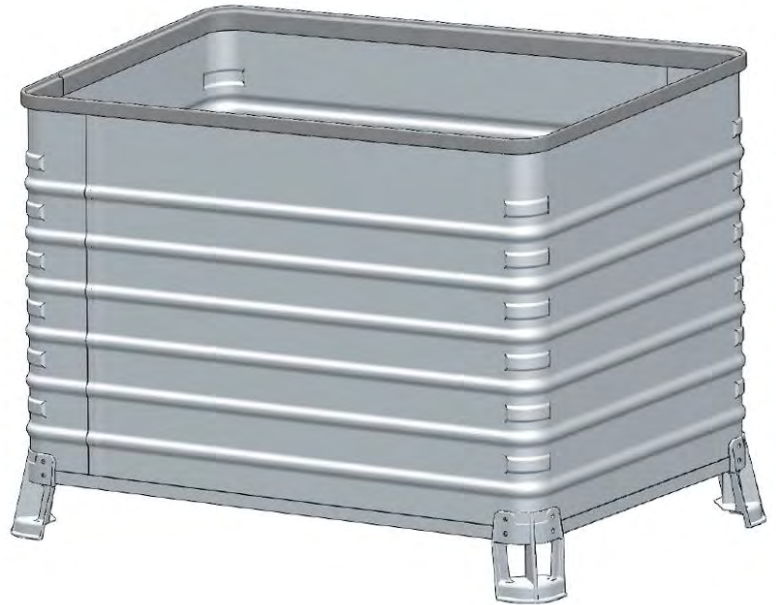
COP AND TUBE TRANSPORT



Stacking container

A 115 for tubes

Material: aluminium



Stacking container

A 1155 for tubes

Material: aluminium

with fold-down
length wall



Other devices on demand.

Stacking container A 115

Walls reinforced with all-round trapezoidal beading (rib) and extremely stable rim profiles. Also available with fold-down length wall, perforated walls and without ribs; can also be equipped with spring-loaded base. See page 7.

Application:

- space-saving transport and storage of tubes or cops of all kinds, thanks to its stackability
- containers are transported by fork-lift truck
- also available with wheels for a better mobility
- transport of empty tubes
- in perforated version also useable for steaming

Required technical specifications for quotations:

- internal dimensions of the container (length x width x height)
or number of yarn bodies or tubes, their dimensions and weight as well as if they will be put in order or in disorder into the containers

Alternative transport equipment

- trolleys D 3 see page 12, 13, 14 and 15

Stacking container A 1155

with fold-down length wall

COP AND TUBE TRANSPORT



Options

Track guided arrangement for towing in train.



Application:

- trolley train
- correct positioning of the fixed and swivelling castors as well as the right dimensions of the pole guarantee that the trolleys remain in track

Required technical specifications for quotations:

- external dimensions of the rolleys and a technical outline showing the arrangement of fixed and swivelling castors
- kind, brand and model of the tractor



Reinforced beading



Handle



Wheel modification (tyres, layout)



Plain or anodised aluminium



Protective PVC bumper



Perforated for steaming

Special solutions

A few examples of our individual solutions:



Perforated trolley with coupling



Demountable trolley



Stackable trolley



Spring-loaded base trolley with box-shaped base



Cloth collecting trolley



Roving bobbin trolley with roof

Properties of aluminium

A material of almost boundless possibilities



Lightweight and flexible



Electrically conductive



Stable, durable and dimensionally stable



Weatherproof and corrosion-resistant



Resistant to temperature fluctuations



Hygienic and odourless



Magnetically neutral



Easy recycling



The ideal material, very versatile



We are certified!
Have confidence in our quality.

Scope of certification:
Design, development, manufacturing and distribution of light alloy systems

GMÖHLING Transportgeräte GmbH

Stadelner Hauptstr. 34
90765 Fürth | Germany

☎ +49 911 - 7669 - 0
☎ +49 911 - 7669 - 277

🌐 www.gmoehling.com
📧 sales@gmoehling.com