

# WRG 180 EC



## short description

Ventilation unit with very effective heat recovery through cross-counterflow exchanger, EC motors with constant volumetric flow regulation, 4 x DN 125, passive-energy house approval, 70 - 165 m<sup>3</sup>/h, KNX connection possible

Article number 0082.0059

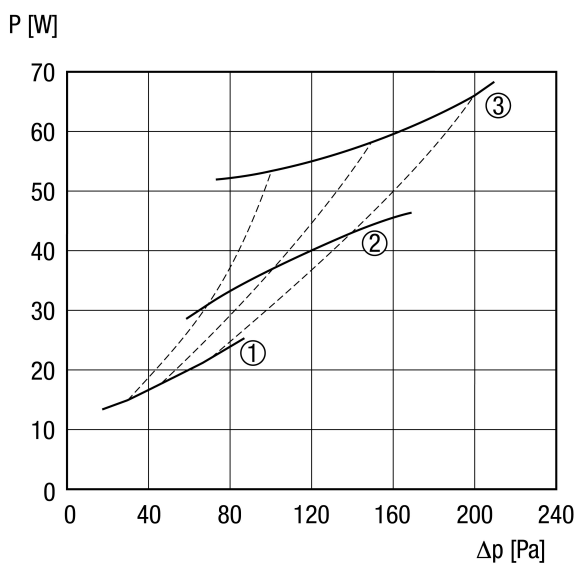
## Technical Data

Number of ventilation levels	3
Air flow volume	70 - 165 m <sup>3</sup> /h
Volumetric flow constant	Yes
Type of voltage	Alternating current
Rated voltage	230 V
Frequency	50 Hz / 60 Hz
Power consumption	37 - 77 W / At 100 Pa counter pressure
I <sub>max</sub>	0.8 A
Degree of protection (IP)	31
DIBT approval	No
PH certification	Yes
Installation site	Cellar, Storage tank, Jamb wall, Utility room, Heating room
Housing material	Sheet steel, powder coated
Heat exchanger material	PETG plastic
Inner coating material	Synthetic material
Colour	Pearl white, similar to RAL 1013
Weight	25 kg
Filter class	G4
Connection diameter	125 mm
Connection diameter of condensation drain	3/4" inside thread
Width x height x depth	600 x 315 x 560 mm
Airstream temperature at I <sub>Max</sub>	50 °C
Degree of heat provision	90 %
Heat exchanger construction type	Cross-counterflow
Bypass, integrated	No
Antifreeze circuit	Yes
Summer circuit	No
Humidity control	HY 5, HY 5 I, HY 10 AP, HY 10 UP
KNX connection possible	Yes
Control unit included in scope of delivery.	No

# WRG 180 EC

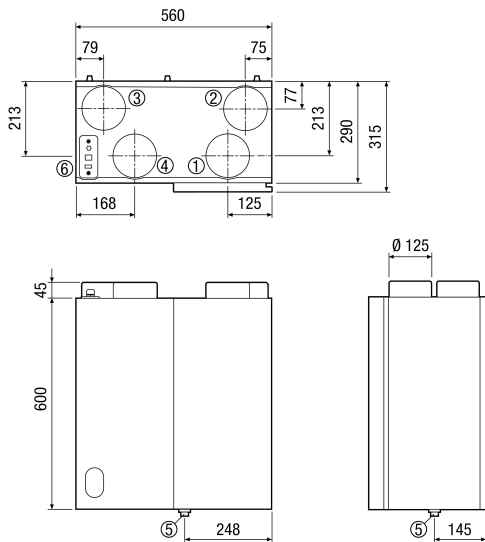
Sound pressure level	37 dB(A)/Spacing 1m, sound absorption 10 m <sup>2</sup>
Range	K
EAN	4012799820598

## Characteristic curve



- ① 70 m<sup>3</sup>/h
- ② 100 m<sup>3</sup>/h
- ③ 165 m<sup>3</sup>/h

## Dimensions [mm]



- ① DN 125 exhaust air
- ② DN 125 outside air
- ③ DN 125 supply air
- ④ DN 125 outgoing air
- ⑤ Condensation connection
- ⑥ Electrical connection