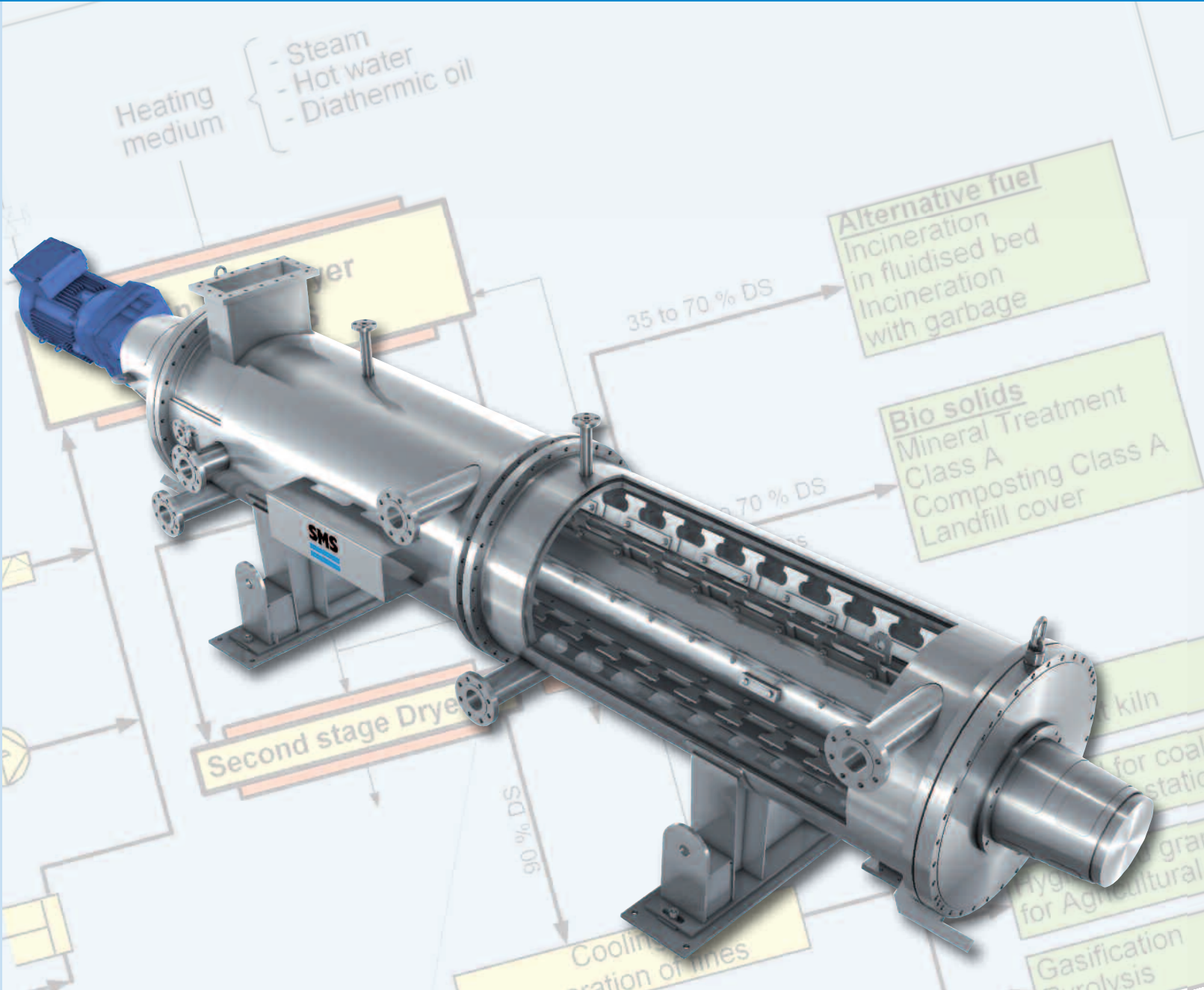


# Drying Technology for Sewage Sludge



Specialist in thermal separation  
and membrane technology

**SMS**



Buss-SMS-Canzler



# Buss-SMS-Canzler Sludge Drying Process

**PRE - DRYING**

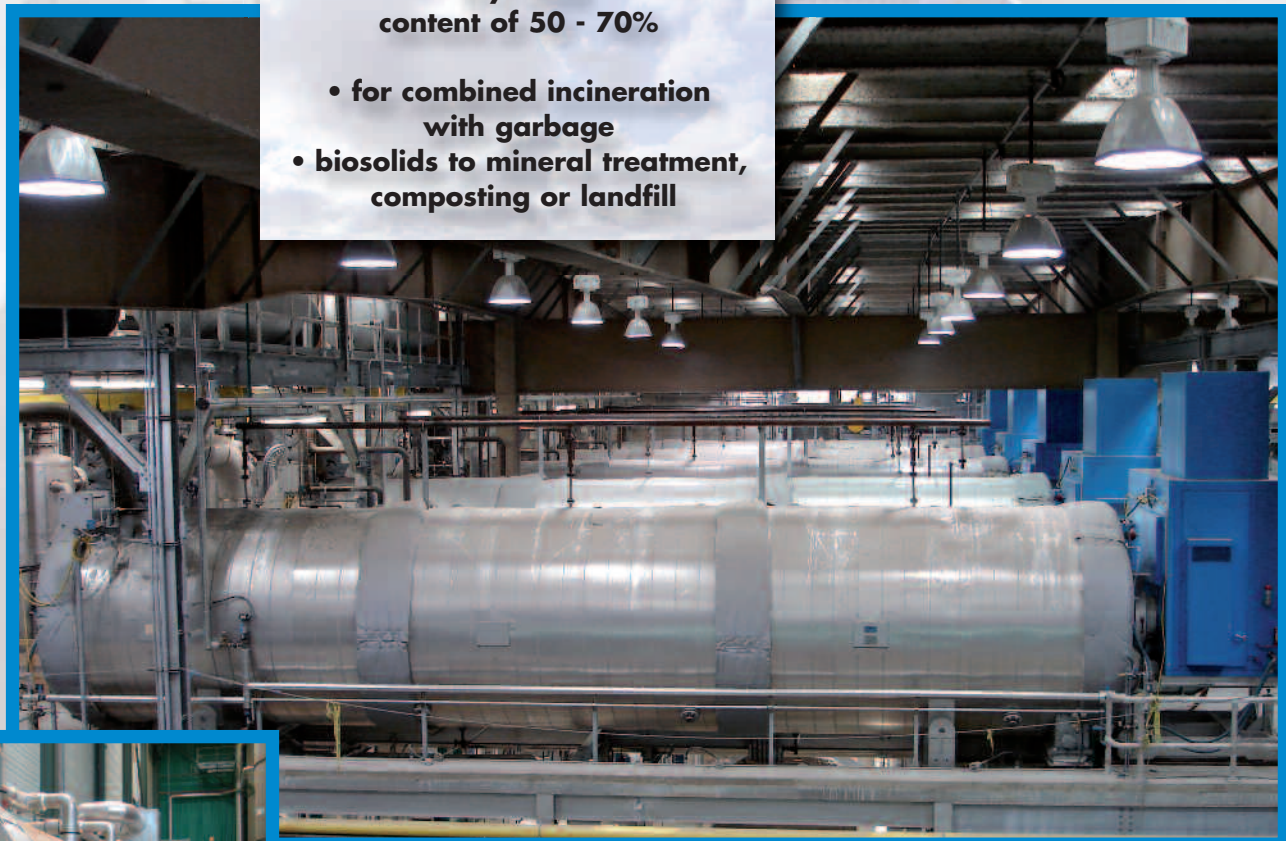
The Thin Film Dryer offers an ideal solution for drying of municipal and industrial sludges to intermediate or high dry solid levels. The Buss-SMS-Canzler Thin Film Dryer can provide a fully dried product in various forms, suitable for the final purpose either in a single stage or in combination with a segmented disc dryer type Linear Dryer or Rovactor®.

**Dry solid  
content of 35 - 50%**

- **Solid fuel for fluidised bed incinerators**

**Dry solid  
content of 50 - 70%**

- **for combined incineration with garbage**
- **biosolids to mineral treatment, composting or landfill**



*1-stage drying*



Specialist in thermal separation  
and membrane technology

**SMS**

Buss-SMS-Canzler



**FULL  
DRYING**  
85 to 95%  
dry solid

### Thermal utilisation

- As solid fuel for cement kilns or for coal fired power stations
- For pyrolysis, gasification or other conversion processes

### 2-stage drying system - full drying

The Linear Dryer is a perfect solution for drying the pre-dried granules from the Thin Film Dryer up to 90% dry solids. The Linear Dryer is a heated U-type conveyor with a slow moving, heated shaft with specially designed transport scoops. The slow rotation of the impeller in combination with a relatively low filling height ensures gentle movement and transportation of the granules.

### Biosolids

"Class A" granules  
for agricultural use,  
for composting  
and for soil reclamation

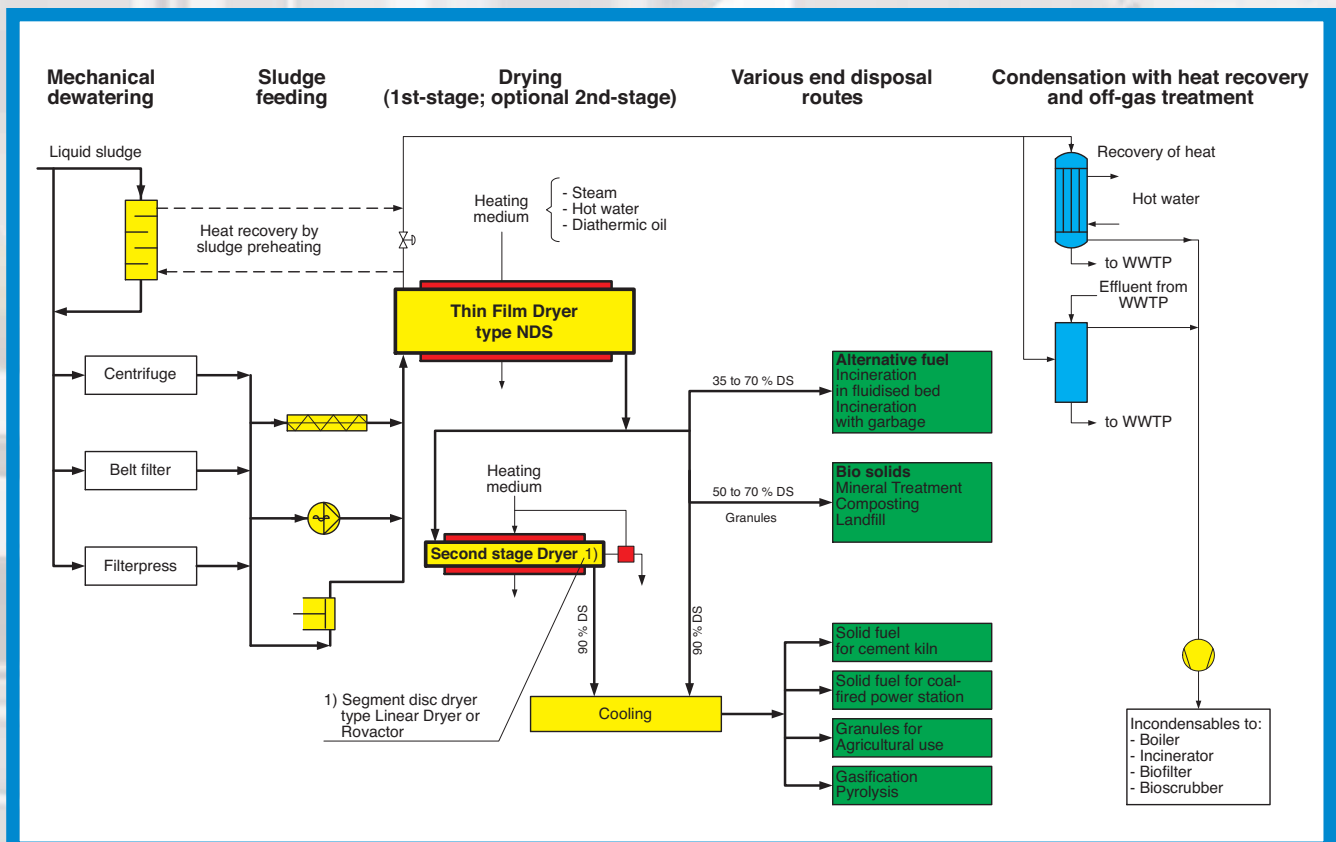


2-stage drying

Thin Film Dryer



The following graph gives an overview of the customized Buss-SMS-Canzler sludge drying systems and how they can be integrated in the overall biosolid disposal process.



Specialist in thermal separation  
and membrane technology

# SMS

Buss-SMS-Canzler

## Advantages of Buss-SMS-Canzler Sludge Drying Technology

### Simple

- single pass operation over the sticky or pasty phase; hence no back mixing of dried product
- contact drying without using sweeping air /gas
- no special preconditioning of the wet sludge

### Economical

- minimum energy consumption
- integrated heat recovery (optional)
- self cleaning heat exchange surface
- short start-up and shut down time
- low maintenance costs
- minimum supervision

### Flexible

- applicable to all types of sludges
- suitable for any initial dry solid content
- any final dry solid content
- different heating media
- single stage or two stage operation

### Ecological and Safe

- enclosed system under slight negative pressure
- self inertisation by the evaporated water

### References

- more than 80 sludge drying installations
- references worldwide (Europe, USA, China, Arabia ...)
- dryers in operation for more than 20 years

#### Head Office & Workshop

Buss-SMS-Canzler GmbH  
Kaiserstraße 13-15  
D-35510 Butzbach  
Tel: +49 60 33 - 85 - 0  
Fax: +49 60 33 - 85 - 249

Email: [info@sms-vt.com](mailto:info@sms-vt.com)  
[www.sms-vt.com](http://www.sms-vt.com)

#### Branch Office & Test Center

Buss-SMS-Canzler GmbH  
Hohenrainstraße 10  
CH-4133 Pratteln 1  
Tel: +41 61 82 - 56 - 869  
Fax: +41 61 82 - 56 - 766

#### Branch Office

Buss-SMS-Canzler GmbH  
Am Langen Graben 7  
D-52353 Düren  
Tel: +49 24 21 - 705 - 1  
Fax: +49 24 21 - 705 - 80

Specialist in thermal separation  
and membrane technology

# SMS

Buss-SMS-Canzler