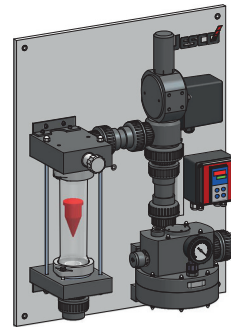


# Reliable technology for every need

## Chlorinator C 2701



### Use

The most common use for vacuum chlorinators is disinfecting water in waterworks, cooling towers or in treatment plants for water processing. All these uses require automated chlorinators

The C 2701 equipment series combines classic chlorinators for manual use with automated elements. Remote control is via standard signals.

C 2701 is a DIN 19606-compliant vacuum chlorinator which is used for dosing dangerous gases such as chlorine, sulphur dioxide or ammonia. Gas escapes are impossible as pressure in all parts of the chlorinator are lower than atmospheric pressure.

### Modular system with options

The dosage is set manually in devices in the standard range and displayed on the float-type flow meter made of high-resistance glass. On devices with automatic control valve the dosage can be set remotely using standard signals. The control valve has a nozzle system which has been specially developed for use with chlorine – highly chemical-resistant and insensitive to soiling.

The C 2701 can be fitted with a signal converter as an option, which allows the chlorinator to be matched very well to the given application. Possible reasons for use include:

- The chlorinator selected was too large.
- The process requires variable dosage concentrations, depending on season, for instance.

The series back-pressure regulator controls the pressure conditions in the device and ensures exact dosing. It is fitted with a vacuum meter – with the option of a threshold value switch.

### Functions

- Vacuum technology compliant with DIN 19606
- Glass flow meter
- Highly chemical-resistant materials
- Automatic control valve (optional)
- Signal converter (optional)
- Back-pressure regulator
- Vacuum meter

### C 2701/SL

All function groups are mounted in a free-standing cabinet. The operating and display elements are on the front. All assembly components are easily accessible from the rear for maintenance tasks.

### C 2701/WL

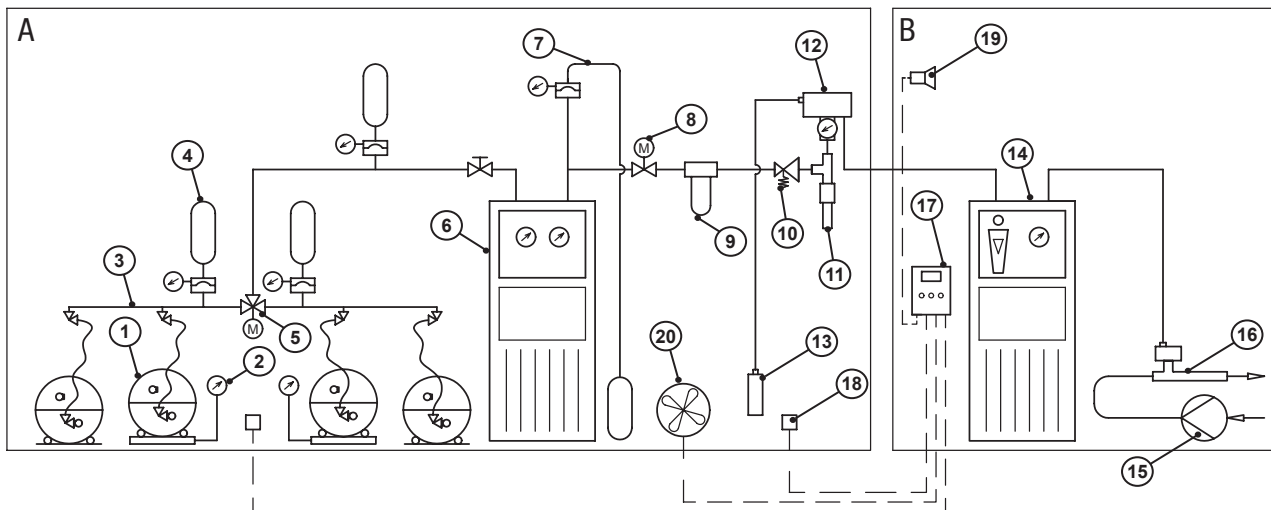
The function groups are mounted on a plastic panel. Operation and service is performed from the front.

## Technical data

Chlorinator C 2701			
dosage range	kg/h Cl <sub>2</sub>	40 / 60 / 120 / 200	
Operating vacuum	mbar	-100	
Required injector vacuum	mbar	-250	
nominal value of air valve	mbar	-500	
adjustable flow range	%	0 – 100	
Ambient temperature	°C	0 – 40 (no direct sunlight)	
Flow meter	Length / scale ratio	mm	300 / 1:20
	Accuracy		± 2 % of final scale reading
Vacuum meter	Measuring range	bar	-1 – 0, ± 2.5 %
	Size	mm	Ø63
Material in contact with the media		PVC, PVDF, Glass, Hastelloy, FPM	
Weight	Wall device	kg	32 approx.
	Free standing cabinet		58 approx.

Consult separate data sheets for the technical data relating to the automatic control valve and signal converter.

## Installation example

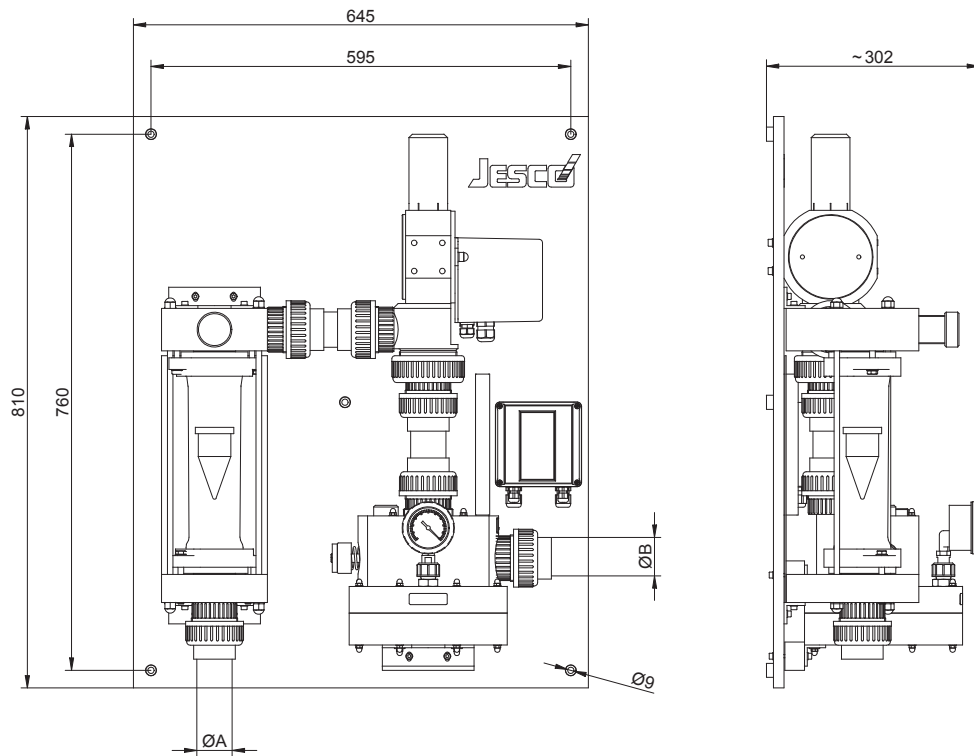


Item	Description	Item	Description
A	Room for the chlorine supply	10	Pressure reducing valve
B	Dosing device room	11	Moisture eliminator with heating collar
1	Chlorine barrel	12	Vacuum regulator
2	Chlorine barrel scale	13	Activated carbon cartridge
3	Pressurized manifold	14	Dosing device
4	Expansion system for piping	15	Motive water pump
5	Changeover switch	16	Injector with non-return valve
6	Chlorine evaporator	17	Gas warning device
7	Expansion system for chlorine evaporator	18	Gas sensor
8	Automatic chlorine ball valve	19	Horn
9	Chlorine gas filter	20	Entrance port of the chlorine eliminator

## Dimensions

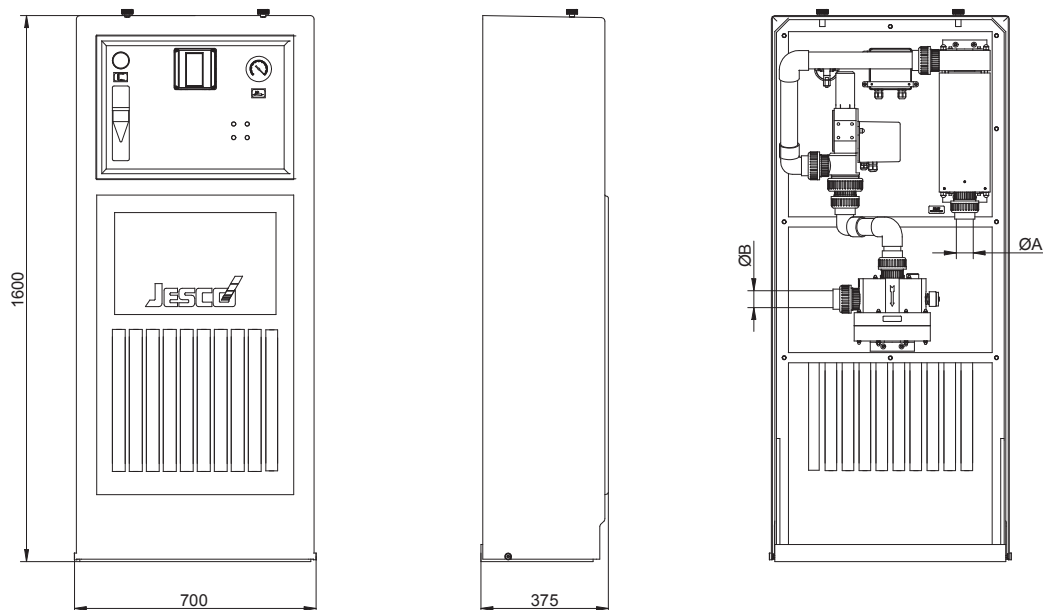
C 2701/WL

All dimensions in mm



C 2701/SL

All dimensions in mm



Power output	Input $\varnothing A$ and Output $\varnothing B$
up to 60 kg/h	PVC screw connection DN32/ $\varnothing 40$
up to 200 kg/h	PVC screw connection DN40/ $\varnothing 50$

**Product range**

**Lutz Pumpen GmbH**  
 Post Office Box 1462  
 D-97864 Wertheim  
 www.lutz-pumpen.de

**Product range**

**Lutz-Jesco GmbH**  
 Post Office Box 100164  
 D-30891 Wedemark  
 www.lutz-jesco.com



Barrel and container pumps



Flow meters



Double diaphragm pumps



Centrifugal pumps



Dosing pumps



Chlorinators



Chemical centrifugal pumps

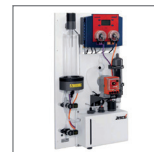


**TECHNOPOOL®**

Products for the disinfection of swimming pool water based on salt water electrolysis and domestic water technology



Measuring and control equipment



Disinfection



System and process technology



**The Lutz-Jesco App for iPads and iPhone is available from the iTunes App Store.**  
 Further information on this can be found at [www.lutz-jesco.com](http://www.lutz-jesco.com)



Head Office  
**Lutz-Jesco GmbH**  
 Am Bostelberge 19  
 30900 Wedemark  
 Germany

Tel.: +49 5130 5802-0  
 Fax: +49 5130 580268

E-mail: [info@lutz-jesco.com](mailto:info@lutz-jesco.com)  
 Internet: [www.lutz-jesco.com](http://www.lutz-jesco.com)

Hungary  
**Lutz-Jesco Üzletég**  
 Vasvári P. u. 9.  
 9024 Győr  
 Hungary

Tel.: +36 96 523046  
 Fax: +36 96 523047

E-mail: [info@lutz-jesco.hu](mailto:info@lutz-jesco.hu)  
 Website: [www.lutz-jesco.hu](http://www.lutz-jesco.hu)

Austria  
**Lutz-Jesco GmbH**  
 Aredstraße 7/2  
 2544 Leobersdorf  
 Austria

Tel.: +43 2256 62180  
 Fax: +43 2256 6218062

E-mail: [info@lutz-jesco.at](mailto:info@lutz-jesco.at)  
 Website: [www.lutz-jesco.at](http://www.lutz-jesco.at)

Netherlands  
**Lutz-Jesco Nederland B.V.**  
 Nijverheidstraat 14 C  
 2984 AH Ridderkerk  
 Netherlands

Tel.: +31 180 499460  
 Fax: +31 180 497516

E-mail: [info@lutz-jesco.nl](mailto:info@lutz-jesco.nl)  
 Website: [www.lutz-jesco.nl](http://www.lutz-jesco.nl)



Great Britain  
**Lutz-Jesco (GB) Ltd.**  
 Gateway Estate  
 West Midlands Freeport  
 Birmingham B26 3QD  
 Great Britain

Tel.: +44 121 782 2662  
 Fax: +44 121 782 2680

E-mail: [info@lutz-jesco.co.uk](mailto:info@lutz-jesco.co.uk)  
 Website: [www.lutz-jesco.co.uk](http://www.lutz-jesco.co.uk)

USA  
**Lutz-JESCO America Corp.**  
 55 Bermar Park  
 Rochester, N.Y. 14624  
 USA

Tel.: +1 585 426-0990  
 Fax: +1 585 426-4025

E-mail: [mail@jescoamerica.com](mailto:mail@jescoamerica.com)  
 Website: [www.lutzjescoamerica.com](http://www.lutzjescoamerica.com)

East Asia  
**Lutz-Jesco East Asia Sdn Bhd**  
 6 Jalan Saudagar U1/16  
 Hicom Glenmarie Industrial Park  
 40150 Shah Alam/ Selangor  
 Malaysia

Tel.: +603 55692322  
 Fax: +603 55691322

E-mail: [info@lutz-jescoasia.com](mailto:info@lutz-jescoasia.com)  
 Website: [www.lutz-jescoasia.com](http://www.lutz-jescoasia.com)

Middle East  
**Lutz-Jesco Middle East FZE**  
 P.O. Box 9614  
 SAIF-Free Zone Center  
 Sharjah  
 UAE

Tel.: +971 6 5572205  
 Fax: +971 6 5572230

E-mail: [info@jescome.com](mailto:info@jescome.com)  
 Website: [www.jescome.com](http://www.jescome.com)

