

Multi-Jet wet type cold water meter improved by Teksan experience



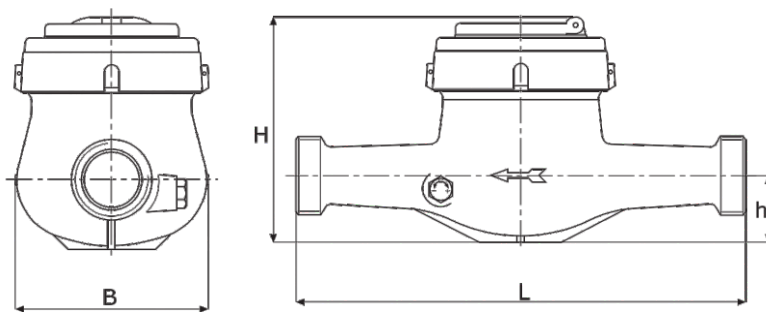
- Multi-jet wet type
- Wet type, 360°C rotatable cover.
- Display on 7 drums (4 for m³, 3 for litres)
- Optional check valve
- Measuring range up to R160
- Brass housing
- Water temperature up to 50°C



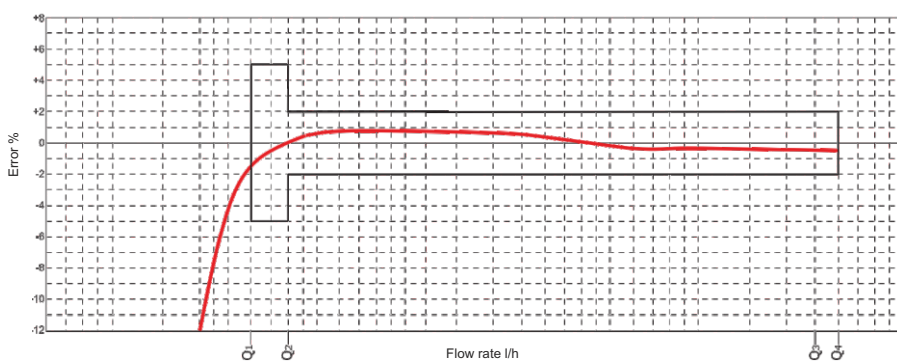
Technical Specifications

Nominal diameter	DN	mm	15	20	20
Nominal flow rate	Q ₃	m ³ /h	2,5	2,5	2,5
Maximum flow rate	Q ₄	m ³ /h	3,125	3,125	3,125
Minimum flow rate	Q ₁	l/h	31,2/25/15,6	31,2/25/15,6	31,2/25/15,6
Transitional flow rate	Q ₂	l/h	50/40/25	50/40/25	50/40/25
Maximum working pressure	P _{max}	bar	16	16	16
Pressure loss (max.Q3)	ΔP	bar	0,40	0,40	0,40
Maximum working temperature	T _{max}	°C	50	50	50
Measuring range	Q ₃ / Q ₁	R	80/100/160	80/100/160	80/100/160
Overall length	l	mm	165	110	190
Maximum register indication		m ³	9.999	9.999	9.999
Verification scale interval		l	0,2	0,2	0,2
Width	B	mm	82	82	82
Total height	H	mm	96	96	96
Height to pipe axis	h	mm	28	28	28
Connection thread of meter	-	-	G3/4B	G1B	G1B
Nominal size	DN	mm	15	20	20
Piping dimensions	-	-	G1/2B	G3/4B	G3/4B
Weight	-	kg	0,900	0,800	1,050
Installation position			H	H	H

Dimensions



Error Curve



Pressure Loss

