

# BELKI Inline Magnetic Filter



Ultra Mag 2x3

Ultra Mag 3

Cleaning station

## Area of use

The BELKI Inline Magnetic Filter is applied for filtering out the smallest ferritic particles and solids from coolants, hydraulic fluids, lubricants and various other industrial metal working fluids. The BELKI Inline Magnetic Filter can be used in various machining applications such as: honing, grinding, parts washing, etc.

## Operation

The fluid flows on its way through the pipe close by a strong magnetic rod, where the magnetic particles are captured. The magnetic field is created by powerful rare earth magnets. The BELKI Inline Magnetic Filter can be delivered with a cleaning station, ensuring fast and easy maintenance and cleaning.

## Advantages

- Removal of the fine particles ensures better product quality and reduced operating costs
- Small footprint and no use of consumables
- Extended lifetime of process fluid and for tools
- Reduced disposal costs and downtime
- Reduced maintenance costs
- Improved product quality
- Easy to clean with cleaning station

**BELKI Filtertechnik GmbH**  
Ostpromenade 54, D-52525 Heinsberg  
Tel +49 (0) 2452 10651-27  
www.belki.de • info@belki.de

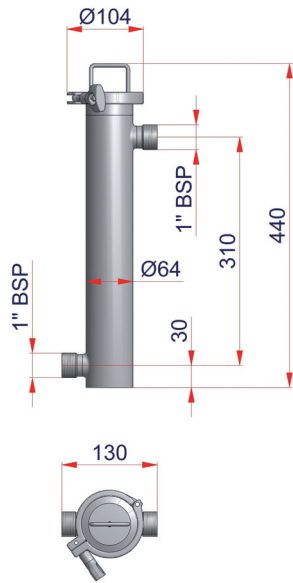


Filtration with capacity

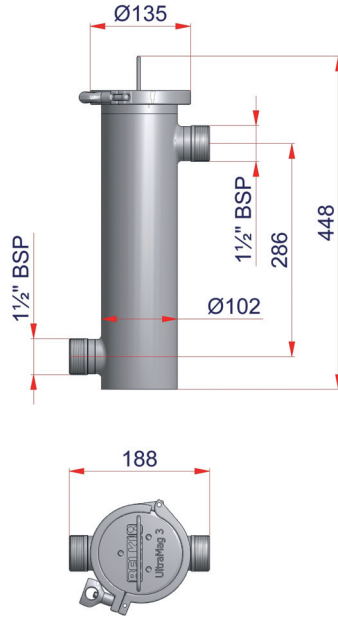
Hovedkontor / Headoffice / Hauptsitz:  
**BELKI teknik ApS**  
Fårupvej 19, DK-8840 Rødgård  
Tel +45 8665 8811  
www.belki.dk • post@belki.dk

## Technical Specifications

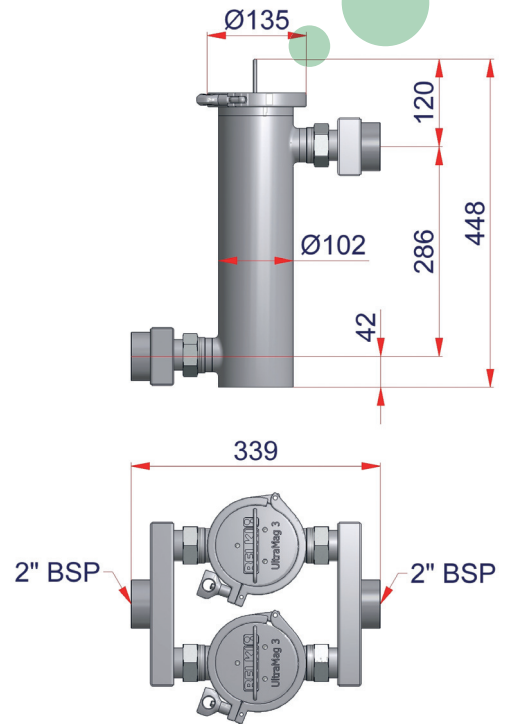
### Ultra Mag 1



### Ultra Mag 3



### Ultra Mag 2 x 3



## Cleaning station



		Type:	Ultra Mag 1	Ultra Mag 3	Ultra Mag 2*3
Flow capacity		l/m	100	250	500
Contamination capacity		Kg	1	3	6
Connection		Size	1"	1½"	2"
Number of cores		Pcs.	1	3	6

Presented by / Überreicht durch:



Filtration with capacity