

# SINEAX B840

## Power Pack for 2-wire Transmitters

Carrying rail housing P13/70



### Application

The power supply unit SINEAX B 840 provides the DC power supply for 2-wire transmitters. There are 4 power supply outputs available. Each power supply output is monitored by a green LED. The corresponding green LED is continuously lit when the measuring / supply circuit is closed.

### Features

- 4 input circuits:  
4 ... 20 mA, 24 V DC
- Electrical isolation between power supply and input circuits
- Power supply values monitoring by green LED's



Fig. 1. Power pack SINEAX B 840 in housing P13/70.

### Technical data

#### Input circuit (MSK)

Signal range: 4 to 20 mA  
with 2-wire transmitter

Supply voltage: Input circuit  
24 V DC  $\pm$  7%  
Current limiter  $\leq$  25 mA

#### Power supply

Nominal voltage: 24 V AC,  $\pm$  10%, 50/60 Hz  
115 V AC,  $\pm$  10%, 50/60 Hz  
230 V AC,  $\pm$  10%, 50/60 Hz

Power input  
 $\leq$  10 VA with 4 outputs

#### Safety

Protection class: II (protection isolated, EN 61 010)

Housing protection: IP 40 (test wire, EN 60 529)

Terminals protection: IP 20 (test finger, EN 60 529)

Rated insulation voltage (versus earth): 230 V power supply  
40 V output

Pollution degree: 2

Installation category: III

Test voltage: 3.7 kV

### Installation data

Mechanical design: Housing P13/70

Material of housing: Lexan 940 (polycarbonate),  
flammability Class V-0 acc. to UL  
94, self-extinguishing, non-dripping,  
free of halogen

Mounting position: Any

Mounting: For snapping onto top-hat rail  
(35 x 15 mm or 35 x 7,5 mm) acc.  
to EN 50 022

Weight: Approx. 0.4 kg

### Electrical connections

Connection: Screw-type terminals with indirect  
wire pressure

Permissible cross section  
of the connection leads:  $\leq$  4.0 mm<sup>2</sup> single wire or  
2 x 2.5 mm<sup>2</sup> fine wire

### Environmental conditions

Operating temperature: - 10 to + 55 °C

Storage temperature: - 40 to + 70 °C

Relative humidity of  
annual mean:  $\leq$  75%

Altitude: 2000 m max.

# SINEAX B840

## Power Pack for 2-wire Transmitters

Indoor use statement!

### Standard versions

The following power pack versions are available as standard versions. It is only necessary to quote the **Order No.:**

Number of power outputs	Power supply 50/60 Hz	Order No.
4 power outputs	24 V AC	147 464
	115 V AC	147 472
	230 V AC	147 480

### Spare parts

Description	Order No.
Operating Instructions B 840 Bdfc	147 521

### Standard accessories

1 Operating Instructions in three languages: German, French and English

### Dimensional drawing

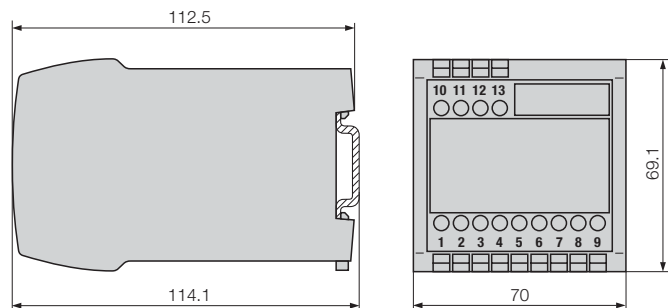


Fig. 2. SINEAX B 840 in housing **P13/70** clipped onto a top-hat rail (35×15 mm or 35×7.5 mm, acc. to EN 50 022).

### Electrical connections

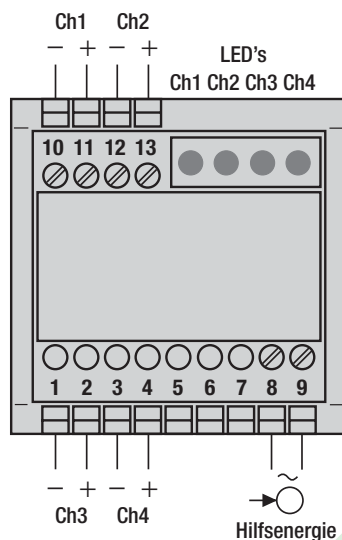


Fig. 3. Power pack with 4 outputs.

**CAMILLE BAUER**

Rely on us.

Camille Bauer AG  
Aargauerstrasse 7  
CH-5610 Wohlen / Switzerland

Phone: +41 56 618 21 11

Fax: +41 56 618 35 35

info@camillebauer.com

www.camillebauer.com