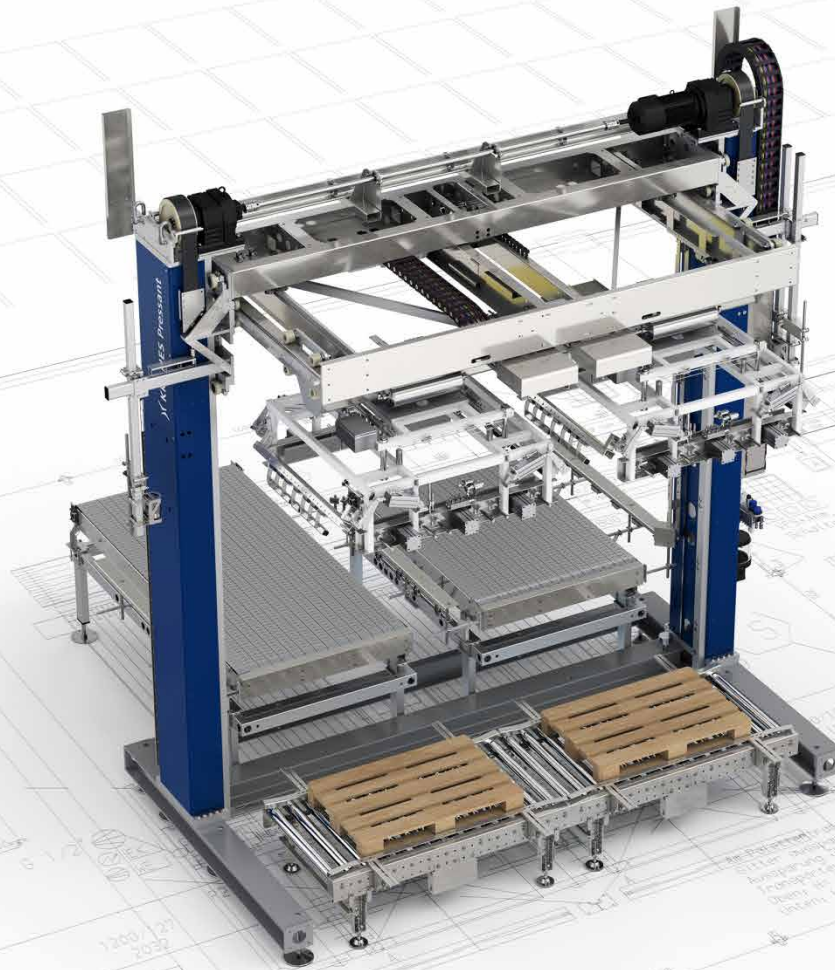




KRONES Pressant Duplex

Palletising and depalletising system for
lines with returnable crates





A secure grip on returnable crates

Speed is required for the decomposition of pallets with empty crates. Grouping of layers as well as palletising of full crates is to be performed reliably and at a high speed. The modular Pressant series comprises palletisers which can master both tasks perfectly. In addition to the individual design for the respective product and line configuration, these machines are distinguished to match the gentle gripping process for plastic crates.

At a glance

- Palletising and depalletising of plastic crates
- Speed depending on the design with up 840 layers per hour
- Gentle handling of plastic crates with jaw gripper head or hook gripper head



Pressant Duplex 2NT

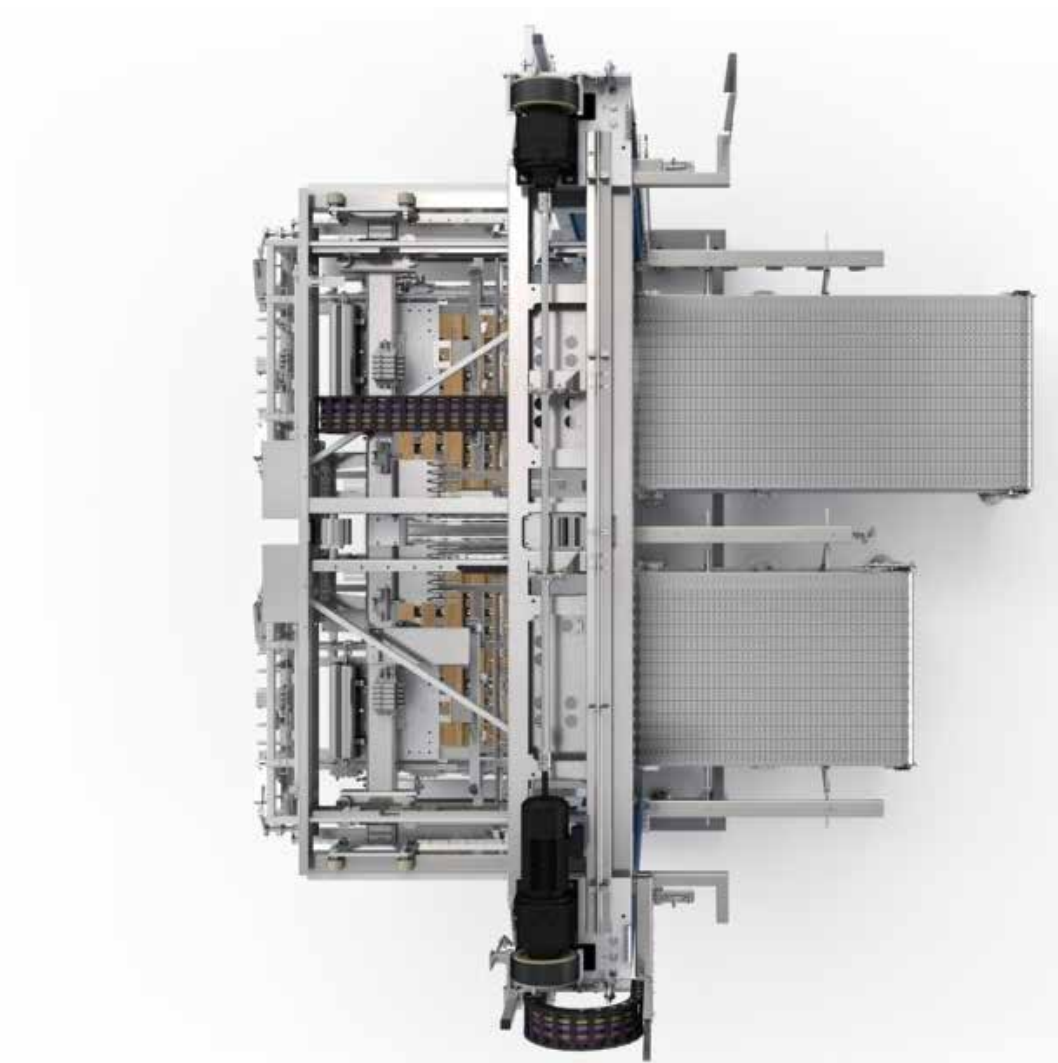


Method of operation

The Pressant Duplex palletiser is mainly designed for the high output range thanks to its use of two palletising or depalletising stations. This machine is also equipped with two lifting columns and stands out for its high load capacity.

- In the Pressant Duplex 2NT palletiser, the packs are firstly pre-grouped in layers in two grouping stations.
- The gripper heads lift up the layers.
- Then, a telescopic transfer carriage moves the layers to a prepared pallet and places it down.
- Designed as a depalletiser, the Pressant Duplex 2NT simultaneously lifts two layers from the pallets and places them onto the pack discharge tables.

NT = Level balancing, telescope





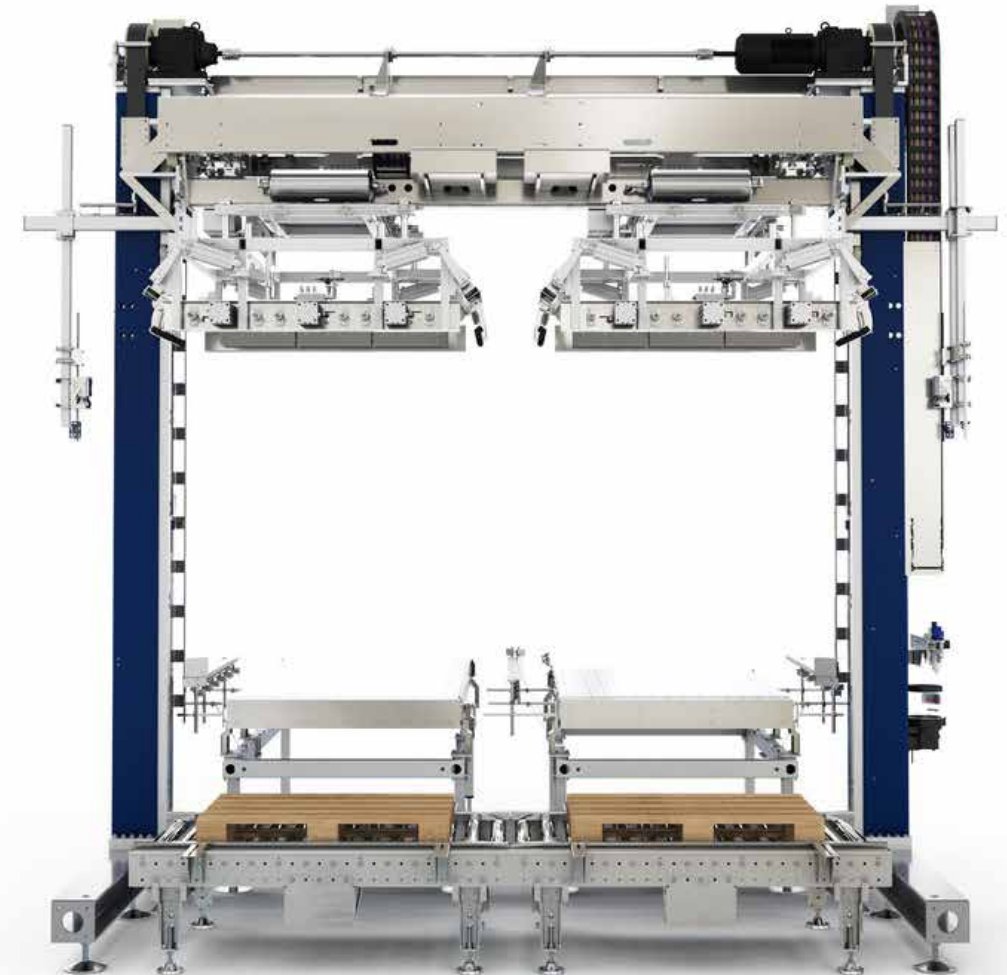
Technical details

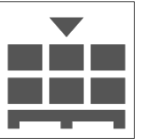
Design features

- Modular design
- Lifting unit and telescopic transfer carriage driven by frequency-controlled or servo-controlled motors and maintenance-free toothed belts
- Lifting unit safety stop feature
- Free-standing operator panel with touch-screen
- Fence guarding and sliding door as protection for the operator
- Automatic safety lock for the lifting unit

Additional equipment

- Central lubrication system





Pack handling

Lifting unit

In the Pressant series, two lifting columns with a telescopic transfer carriage are used.

Pack discharge table or grouping system

Depending on the application in either single-lane or double-lane concept, the pack supply or removal can be designed in rectangular or linear design.

Gripper head

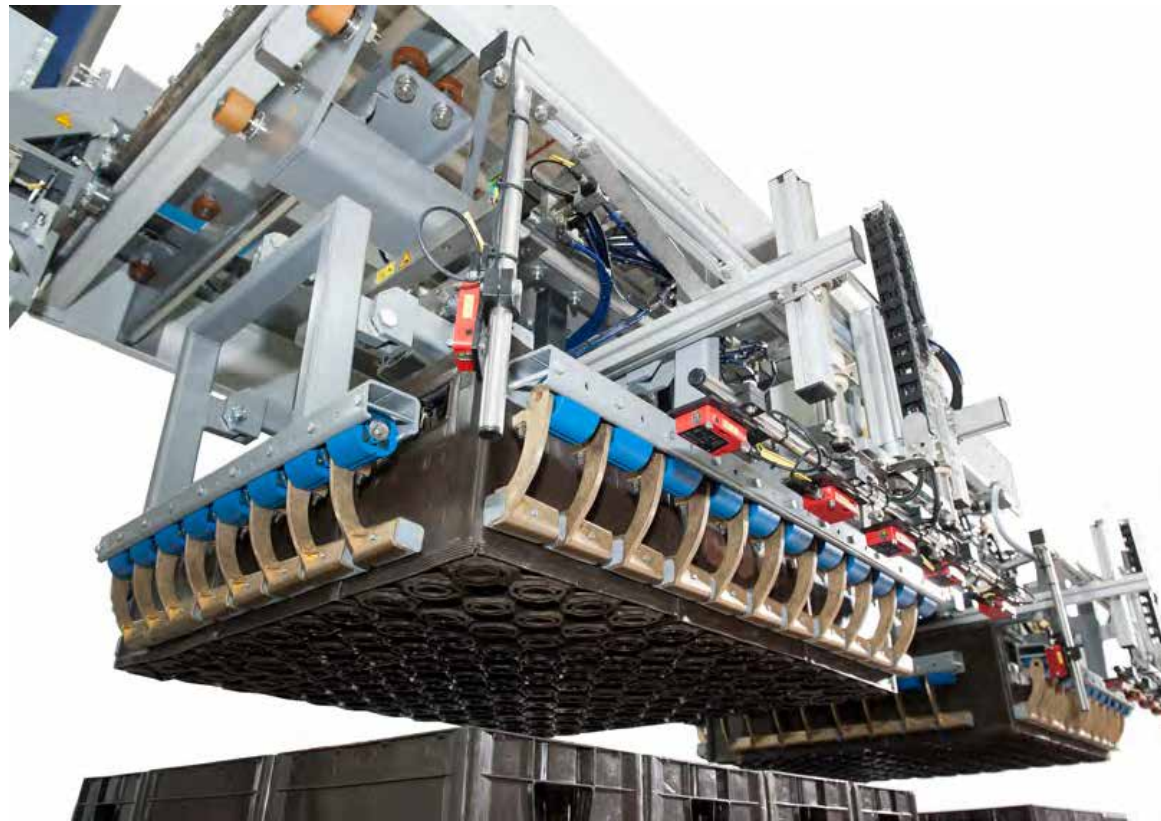
Gripper systems for picking up the packs from the grouping station or from all four sides for gentle transportation.

Version	Output (layers/h)*
Depalletiser	840
Palletiser	740

* Performance specifications depend on the gripper head type



Two types of gripper heads



Jaw gripper head

- Secure gripping of the entire layer from all four sides
- Clamping bars designed as uninterrupted bars or as single spring-supported clamping elements
- Optional: Processing full crates is supported by hooking into the window



Hook gripper head

- Gripping of the full crates via a hook system
- Crates lock securely into place during loading via an embracing centring unit
- A multiple hook system is optionally available for handling a range of layer patterns



Expansion to the main machine

Layer separation with stopper bridge

- For processing crates in columns with linear structure
- Layer separation with stopper bridge
- Continuous discharge of the rows after stopper engagement from above
- Pack separation in the high output range

Layer separation with separation roller

- Separation of interlocked layer patterns
- Separation of the first row of one layer by means of acceleration
- Subsequent discharge in a 90 degree angle

Layer separation with drawing mechanism

- Separation of interlocked layer patterns
- Separation of layers via drawing mechanism
- Separation of the row to the front via carriers engaging from above subsequent discharge in a 90 degree angle





Benefits to you

High positioning accuracy

Precise gripping technology and fine-tuned transfer motions of the lifting unit ensure precise movement sequences during palletising and depalletising – and therefore for high speeds in the returnables system.

Economic continuous operation

Durable assemblies and components guarantee highest reliability and high system accessibility – even in continuous operation mode.

Ease of operation

The well-arranged structure of all functions on the touch-screen allows for quick handling of all operating tasks.

Variable line layout

The grouping station or the container discharge table can be arranged in a 90 degree angle. This way, the palletising system is perfectly suited to all line layouts.



Everything from a single source

Training sessions at the KRONES Academy – trained personnel increases your line efficiency

The versatile training offer ranges from operation, servicing and maintenance to management training. We will gladly also establish your individual training programme.

KIC KRONES cleaning agents make your machine shine

Only if the production environment is immaculate, can your product be brilliant. KIC KRONES provides you with the optimum cleaning agents and disinfectants for each individual production step.

KRONES Lifecycle Service – partner for performance

Also after having purchased a new machine, KRONES will take care of your line; the LCS experts are always ready to consult you and translate your goals and wishes into optimal LCS solutions.





Digitalisation



Process
technology



Bottling and
packaging equipment



Intralogistics



Lifecycle
Service

We do more.

 **KRONES**