



**multifunctional fork light barrier  
with adjustable gap**  
*and external programming possibility*

ipf electronic gmbh · Kalver Straße 25 – 27 · 58515 Lüdenscheid · Germany  
fon +49 (0) 23 51/93 65-0 · fax +49 (0) 23 51/93 65 19  
www.ipf-electronic.com · e-mail: info@ipf-electronic.com

**adjustable fork light barriers**

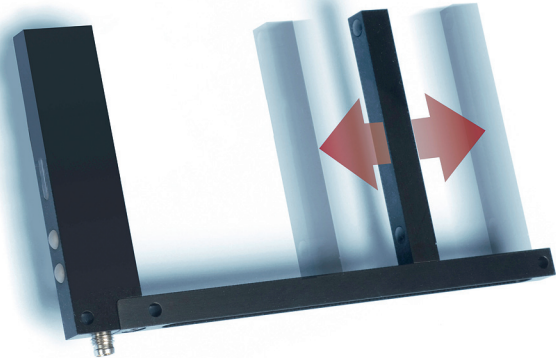


### A tried and tested sensor with a new concept

Up until now, fork light barriers of various dimensions have had to be provided for different applications. This resulted in high storage and procurement costs.

In the future, it is possible to cover the complete range of fork widths (from 5 to 85mm and/or 5 to 145mm) with one single, variable model.

5 to 85mm and  
5 to 145mm



### Further highlights

- ✓ aluminium housing
- ✓ versions with infrared or red light
- ✓ a high level of external light shielding
- ✓ high sampling frequency
- ✓ directly stackable
- ✓ programmable in many ways



### Automatic output regulation with a compensation mechanism for soiling

This ensures that the equipment can be put into service simply and quickly, without having to make further settings. After switching on, the through-beam sensor is automatically adjusted to the set fork width.

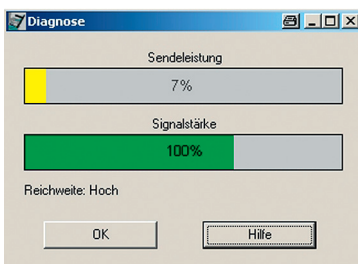
In addition, as soiling is permanently compensated for, constant sensitivity is assured.



### Application options

By optimally adjusting the fork width, it is possible to securely identify a narrow slit in a thin washer as well as a part on a conveyor belt.

Due to its modular design, a subsequent change to the maximum fork width is also possible at a later stage.



### Programming

For particular application cases, there are manual setting options and a teach function.

The switching output is programmable as a PNP, NPN or push-pull stage. In addition, pulse stretching can be set as well as light-on/dark-on mode.

Using the **AO000199** PC interface, all settings are also possible via an optional Windows® program.



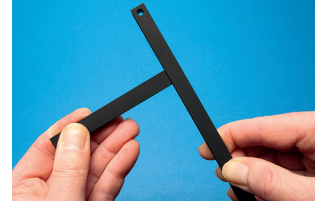
### TECHNICAL DATA

operating distance	variable
output signal	PNP / NPN push-pull switchable
resolution	1mm
operating voltage	12 ... 30V DC
current consumption (w/o load)	≤ 20mA
output current (max. load)	200mA
voltage drop (max. load)	1.3V
transmitting element (pulsed)	red / infrared light
wave length (transmitter)	650nm / 890nm
repeatability	0.1mm
pulse stretching	0 / 1 / 10 / 100msec adjustable
sampling frequency	4kHz / 10kHz
display (signal)	yellow LED
sensitivity adjustment	+
short-circuit protection	+
reverse polarity protection	+
housing material	black anodized aluminium
operating temperature	-10 ... +60°C
system of protection (EN 60529)	IP67
connection	M8-connector, 3-pin
connection accessories	e.g. <b>VK200075</b>

### easy to adjust



loosen the screw



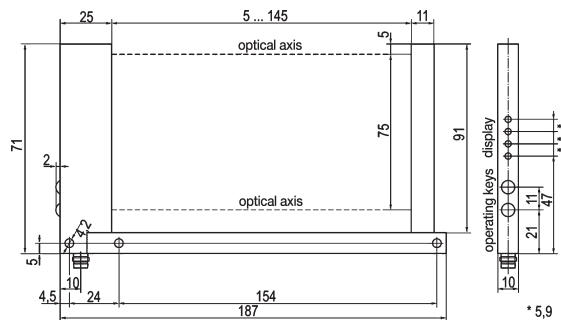
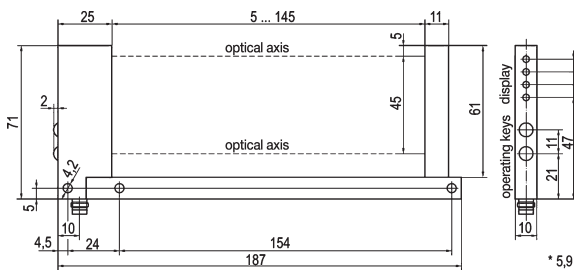
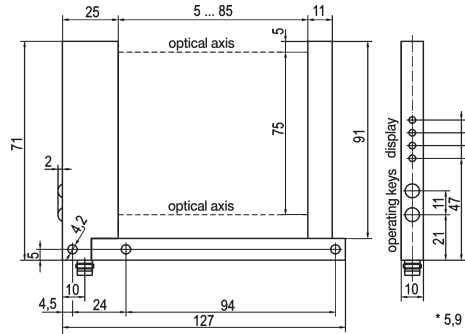
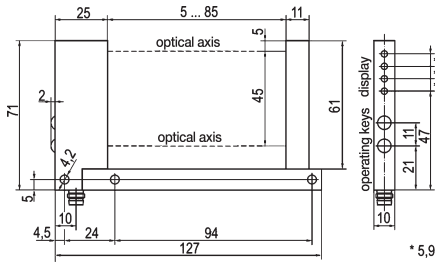
adjust gap



tighten the screw



press reset button



		gap 5 ... 85mm		gap 5 ... 145mm	
		60mm	90mm	60mm	90mm
sampling frequency 4kHz	transmitting light infrared (650nm)	OGV10570	OGV20570	OGV30570	OGV40570
	transmitting light red (890nm)	<b>OGV10571</b>	<b>OGV20571</b>	<b>OGV30571</b>	<b>OGV40571</b>
sampling frequency 10kHz	transmitting light infrared (650nm)	OGV10575	OGV20575	OGV30575	OGV40575
	transmitting light red (890nm)	OGV10576	OGV20576	OGV30576	OGV40576

Preferential types are printed **bold**.



## **ipf electronic gmbh**

Kalver Straße 25 - 27  
58515 Lüdenscheid  
Germany

fon +49 (0) 2351 / 93 65 - 0  
fax +49 (0) 2351 / 93 65 - 19

e-mail [info@ipf-electronic.com](mailto:info@ipf-electronic.com)  
[www.ipf-electronic.com](http://www.ipf-electronic.com)

## **worldwide**

### ***ipf electronic gmbh – export division***

Kalver Straße 25 - 27  
58515 Lüdenscheid  
Germany

fon +49 (0) 2351 / 9 85 97 - 0  
fax +49 (0) 2351 / 9 85 97 - 29

e-mail [export@ipf-electronic.com](mailto:export@ipf-electronic.com)