



DryLin® R
Linear Plain Bearings

Phone +49 - 22 03 - 96 49-145
Fax +49 - 22 03 - 96 49-334

DryLin® R – Linear Plain Bearings – Fast and Quiet



- Corrosion resistant

- Wear resistant

- Resistant to contaminants

- Low coefficient of friction

- Extremely quiet operation

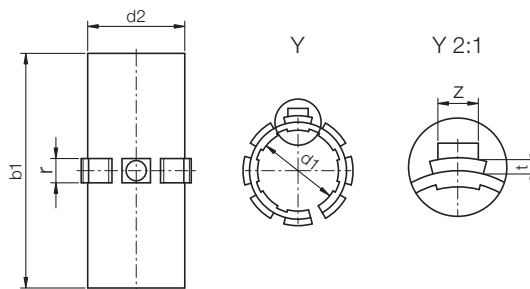
- Light weight

mm

Inch



DryLin® R | Liner JUM-01 | mm



Structure – part no.
J U M-01-10



- Diameter
- Standard
- Metric
- Liner
- iglidur® J

mm

DryLin® R

Special properties

- Very low coefficient of friction while running dry
- Very low moisture absorption
- Very high wear resistance
- High chemical resistance
- Maintenance-free
- Suitable for rotating, oscillating and linear movements
- Vibration dampening

* According to igus® testing method

► Page 64.37

Available from stock

Ø < 10 mm use iglidur® JSM sleeve bearings

► Page 3.8



Phone +49 - 22 03 - 96 49-145
Fax +49 - 22 03 - 96 49-334

igus® GmbH
51147 Cologne

Dimensions [mm] and Weight

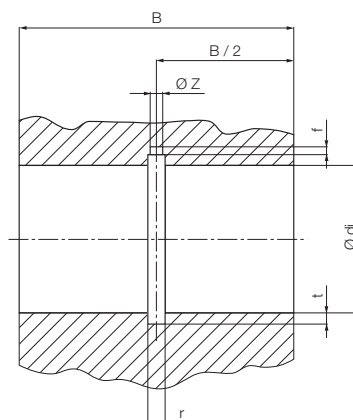
Part No.	d1 [mm]	Tolerance* [mm]	d2 [mm]	b1 [mm]	r [mm]	t [mm]	z [mm]	Weight [g]
JUM-01-10	10	0,03-0,070	12	29	3,0	0,8	2,5	1,10
JUM-01-12	12	0,03-0,070	14	31	3,0	0,8	3,0	1,50
JUM-01-16	16	0,03-0,070	18	35	3,5	0,8	3,5	2,20
JUM-01-20	20	0,03-0,070	23	44	5,0	0,8	3,5	4,90
JUM-01-25	25	0,03-0,070	28	57	5,0	0,8	4,0	8,23
JUM-01-30	30	0,04-0,085	34	67	5,0	0,8	4,0	14,95
JUM-01-40	40	0,04-0,085	44	79	6,0	1,3	5,0	23,16
JUM-01-50	50	0,05-0,100	55	99	7,0	1,3	6,0	45,35
JUM-01-60*	60	0,05-0,100	65	124	8,0	2,5	6,5	70,00

* 2-piece

Installation Drawings

Housing Bore, Dimensions [mm]

Part No.	Shaft Size Ø	di [mm] H7	B [mm] h10	r [mm] +0,05	t [mm] +0,1	f [mm] +0,5	z [mm] +0,2
JUM-01-10	10	12	29	3,0	1,0	1,0	2,6
JUM-01-12	12	14	32	3,0	1,0	1,5	3,1
JUM-01-16	16	18	36	3,5	1,0	1,7	3,6
JUM-01-20	20	23	45	5,0	1,0	2,0	3,6
JUM-01-25	25	28	58	5,0	1,0	2,0	4,1
JUM-01-30	30	34	68	5,0	1,0	2,0	4,1
JUM-01-40	40	44	80	6,0	1,5	2,5	5,1
JUM-01-50	50	55	100	7,0	1,5	2,5	6,1
JUM-01-60*	60	65	124	8,0	2,5	3,0	6,5



Internet www.igus.de
E-mail info@igus.de

Liners of the series JUM-01 are used in:



RJUM-01:
► P. 64.15



RJUM-03:
► P. 64.19



TJUM-01:
► P. 64.18



TJUM-03:
► P. 64.20



RJUM-06:
► P. 64.27



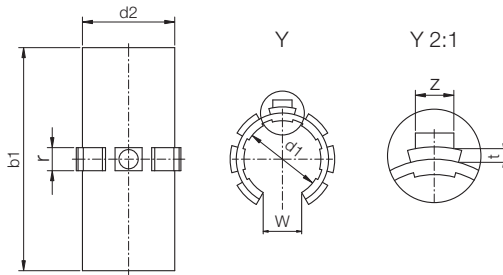
RJUM-06 LL:
► P. 64.28



FJUM-01:
► P. 64.34



FJUM-02:
► P. 64.35



Structure – part no.
J U M O-01-10



Special properties

- Open design for supported shafts
- Very low coefficients of friction while running dry
- Very high wear resistance
- Maintenance-free dry running
- Vibration dampening
- Very low moisture absorption
- High chemical resistance
- Suitable for rotating, oscillating and linear movements

* According to igus® testing method

► Page 64.37

Available from stock

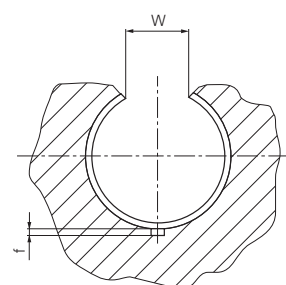
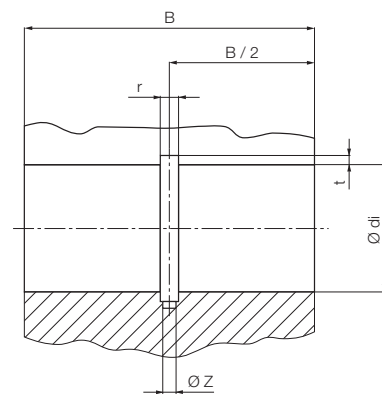
Dimensions [mm] and Weight

Part No.	d1 [mm]	Tolerance* [mm]	d2 [mm]	b1 [mm]	W [mm]	r [mm]	t [mm]	z [mm]	Weight [g]
JUMO-01-10	10	0,03-0,070	12	29	7,3	3,0	0,8	2,5	0,90
JUMO-01-12	12	0,03-0,070	14	31	9,0	3,0	0,8	3,0	1,16
JUMO-01-16	16	0,03-0,070	18	35	11,6	3,5	0,8	3,5	1,71
JUMO-01-20	20	0,03-0,070	23	44	12,0	5,0	0,8	3,5	4,16
JUMO-01-25	25	0,03-0,070	28	57	14,5	5,0	0,8	4,0	6,97
JUMO-01-30	30	0,04-0,085	34	67	16,6	5,0	0,8	4,0	12,38
JUMO-01-40	40	0,04-0,085	44	79	21,0	6,0	1,3	5,0	20,18
JUMO-01-50	50	0,05-0,100	55	99	25,5	7,0	1,3	6,0	38,60

Installation Drawings

Housing Bore, Dimensions [mm]

Part No.	Nominal Size	di [mm]	B [mm]	W [mm]	r [mm]	t [mm]	f [mm]	z [mm]
JUMO-01-10	10	12	29	7,3	3,0	1,0	1,0	2,6
JUMO-01-12	12	14	32	9,0	3,0	1,0	1,5	3,1
JUMO-01-16	16	18	36	11,6	3,5	1,0	1,7	3,6
JUMO-01-20	20	23	45	12,0	5,0	1,0	2,0	3,6
JUMO-01-25	25	28	58	14,5	5,0	1,0	2,0	4,1
JUMO-01-30	30	34	68	16,6	5,0	1,0	2,0	4,1
JUMO-01-40	40	44	80	21,0	6,0	1,5	2,5	5,1
JUMO-01-50	50	55	100	25,5	7,0	1,5	2,5	6,1

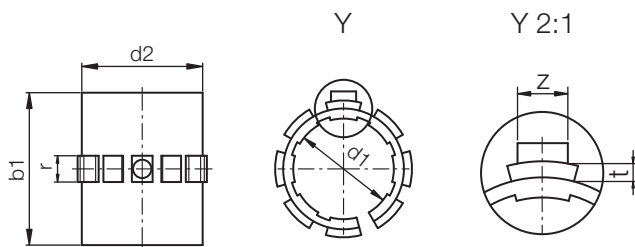


Liners of the series JUMO-01 are used in:

- OJUM-01: ► P. 64.29
- OJUM-03: ► P. 64.30
- OJUM-06: ► P. 64.31
- OJUM-06 LL: ► P. 64.33



DryLin® R | Liner JUM-02 | mm | extra short liner



Structure – part no.
J U M-02-10



- Diameter
- Short v.
- Metric
- Liner
- iglidur® J

mm

DryLin® R

Special properties

- Very low coefficients of friction while running dry
- Very low moisture absorption
- Very high wear resistance
- High chemical resistance
- Maintenance-free dry running
- Suitable for rotating, oscillating and linear movements
- Vibration dampening

* According to igus® testing method

► Page 64.37



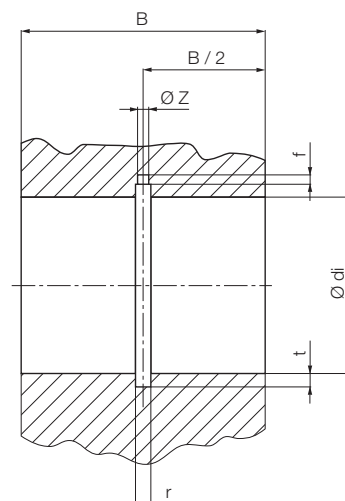
Available from stock

Dimensions [mm] and Weight

Part No.	d1 [mm]	Tolerance* [mm]	d2 [mm]	b1 [mm]	r [mm]	t [mm]	z [mm]	Weight [g]
JUM-02-10	10	0,03-0,070	12	25	3,0	0,8	2,5	1,02
JUM-02-12	12	0,03-0,070	14	27	3,0	0,8	3,0	1,27
JUM-02-16	16	0,03-0,070	18	29	3,5	0,8	3,5	1,82
JUM-02-20	20	0,03-0,070	23	29	5,0	0,8	3,5	3,27
JUM-02-25	25	0,03-0,070	28	39	5,0	0,8	4,0	5,75
JUM-02-30	30	0,04-0,085	34	49	5,0	0,8	4,0	11,28
JUM-02-40	40	0,04-0,085	44	59	6,0	1,3	5,0	17,94
JUM-02-45	45	0,04-0,085	50	59	7,0	1,3	6,0	27,00
JUM-02-50	50	0,05-0,100	55	69	7,0	1,3	6,0	32,56

Installation Drawings Dimensions [mm]

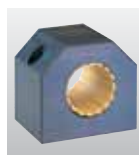
Part No.	Shaft [mm]	di [mm]	B [mm]	r [mm]	t [mm]	f [mm]	z [mm]
	∅	H7	h10	+0,05	+0,1	+0,5	+0,2
JUM-02-10	10	12	26	3,0	1,0	1,0	2,6
JUM-02-12	12	14	28	3,0	1,0	1,5	3,1
JUM-02-16	16	18	30	3,5	1,0	1,7	3,6
JUM-02-20	20	23	30	5,0	1,0	2,0	3,6
JUM-02-25	25	28	40	5,0	1,0	2,0	4,1
JUM-02-30	30	34	50	5,0	1,0	2,0	4,1
JUM-02-40	40	44	60	6,0	1,5	2,5	5,1
JUM-02-45	45	50	60	7,0	1,5	2,5	6,1
JUM-02-50	50	55	70	7,0	1,5	2,5	6,1



Liners of the series JUM-02 are used in:



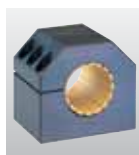
RJUM-02:
► P. 64.21



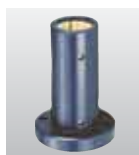
RJUM-05:
► P. 64.23



TJUM-05:
► P. 64.25



RJUME-05:
► P. 64.24



FJUMT-01:
► P. 64.36

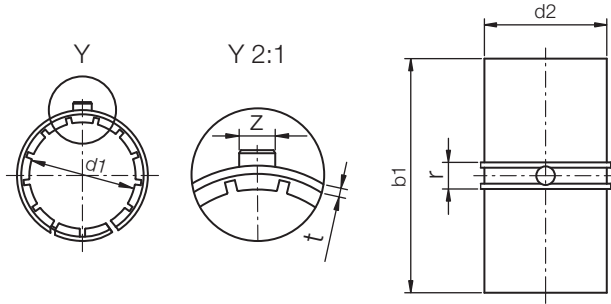


FJUMT-02:
► P. 64.36



RJUMT-05:
► P. 64.26

Internet www.igus.de
E-mail info@igus.de



Structure – part no.
JUM-11-10

- Diameter
- Precision
- Metric
- Design
- iglidur® J



Special properties

- Increased bearing area = longer service life
- Reduced maximum bearing clearance**
- Bearing material: iglidur® J
- Low coefficient of friction
- Optimized wear behaviour
- Maintenance-free and lubrication-free
- Also available with open design for supported shafts (JUMO-11) and closed version (JUM-12)

* According to igus® testing method

▶ Page 64.37

**Compared to JUM-01 range Available from stock

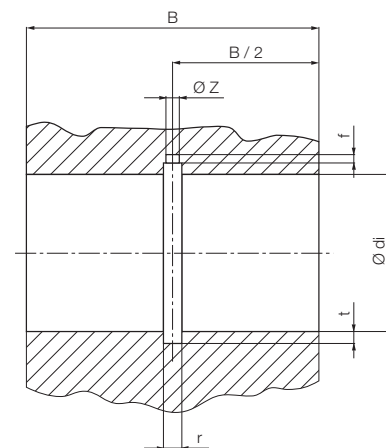
Dimensions [mm] and Weight

Part No.	d1 [mm]	Tolerance* [mm]	d2 [mm]	b1 [mm]	r [mm]	t [mm]	z [mm]	Weight [g]
JUM-11-10	10	0,00-0,04	12	29	3,0	0,8	2,5	1,23
JUM-11-12	12	0,00-0,04	14	31	3,0	0,8	3,0	1,65
JUM-11-16	16	0,00-0,04	18	35	3,5	0,8	3,5	2,42
JUM-11-20	20	0,00-0,04	23	44	5,0	0,8	3,5	5,49
JUM-11-25	25	0,00-0,04	28	57	5,0	0,8	4,0	8,86
JUM-11-30	30	0,00-0,05	34	67	5,0	0,8	4,0	16,63
JUM-11-40	40	0,00-0,05	44	79	6,0	1,3	5,0	26,06
JUM-11-50	50	0,00-0,06	55	99	7,0	1,3	6,0	48,82

Installation Drawings

Housing Bore, Dimensions [mm]

Part No.	Nominal Size	di [mm]	B [mm]	r [mm]	t [mm]	f [mm]	z [mm]
	Ø	H7	h10	+0,05	+0,1	+0,5	+0,2
JUM-11-10	10	12	29	3,0	1,0	1,0	2,6
JUM-11-12	12	14	32	3,0	1,0	1,5	3,1
JUM-11-16	16	18	36	3,5	1,0	1,7	3,6
JUM-11-20	20	23	45	5,0	1,0	2,0	3,6
JUM-11-25	25	28	58	5,0	1,0	2,0	4,1
JUM-11-30	30	34	68	5,0	1,0	2,0	4,1
JUM-11-40	40	44	80	6,0	1,5	2,5	5,1
JUM-11-50	50	55	100	7,0	1,5	2,5	6,1



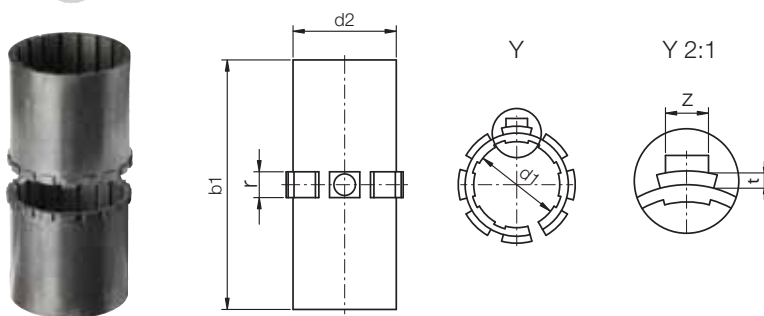
Liners of the series JUM-11 are used in:



- RJUM-11: ▶ P. 64.15
- RJUM-13: ▶ P. 64.19
- TJUM-11: ▶ P. 64.18
- RJUM-16: ▶ P. 64.27
- FJUM-11: ▶ P. 64.34
- TJUM-13: ▶ P. 64.20
- FJUM-12: ▶ P. 64.35
- RJUM-16 LL: ▶ P. 64.28



DryLin® R | Liner XUM-01 | mm | for high temperatures



Structure – part no.
X U M-01-12



Diameter

Standard

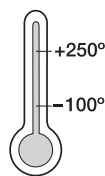
Metric

Liner

igidur®X

Special properties

- Made of iglidur® X (in two parts)
- Recommended for high temperature applications (over 80 °C, up to 250 °C)
- High chemical resistance
- Maintenance-free
- Very low moisture absorption
- Available for all adapters and pillow blocks (Ø 10 mm – 40 mm)
- Recommended for use on stainless steel or hard chromed steel
- Also available with open design for supported shafts (XUMO-01) and closed version (XUM-02)



* According to iglus® testing method

► Page 64.37

Available from stock



Dimensions [mm] and Weight

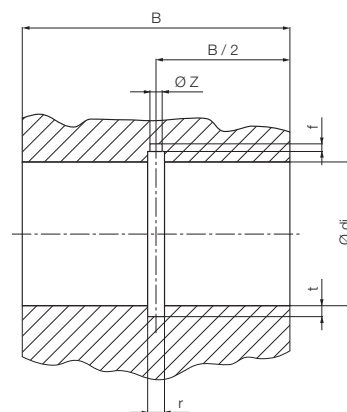
Part No.	d1 [mm]	Tolerance* [mm]	d2 [mm]	b1 [mm]	r [mm]	t [mm]	z [mm]	Weight [g]
XUMO-01-10**	10	0,00-0,020	12	28	3,0	0,8	2,5	1,00
XUM-01-12	12	0,03-0,070	14	31	3,0	0,8	3,0	1,46
XUM-01-14	14	0,03-0,070	16	30	3,5	0,6	3,5	1,81
XUM-01-16	16	0,03-0,070	18	35	3,5	0,8	3,5	2,13
XUM-01-20	20	0,03-0,070	23	44	5,0	0,8	3,5	4,70
XUM-01-25	25	0,03-0,070	28	57	5,0	0,8	4,0	8,27
XUM-01-30	30	0,04-0,085	34	67	5,0	0,8	4,0	15,57
XUM-01-40	40	0,04-0,085	44	79	6,0	1,3	5,0	24,00

** only available with open design

Installation Drawings

Housing Bore, Dimensions [mm]

Part No.	Shaft [mm]	di [mm]	B [mm]	r [mm]	t [mm]	f [mm]	z [mm]
	Ø	H7	h10	+0,05	+0,1	+0,5	+0,2
XUMO-01-10	10	12	29	3,0	1,0	1,0	2,6
XUM-01-12	12	14	32	3,0	1,0	1,5	3,1
XUM-01-14	14	16	31	3,5	0,8	1,7	3,6
XUM-01-16	16	18	36	3,5	1,0	1,7	3,6
XUM-01-20	20	23	45	5,0	1,0	2,0	3,6
XUM-01-25	25	28	58	5,0	1,0	2,0	4,1
XUM-01-30	30	34	68	5,0	1,0	2,0	4,1
XUM-01-40	40	44	80	6,0	1,5	2,5	5,1



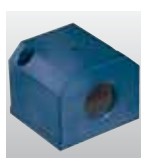
Liners of the series XUM-01 can be used in:



RJUM-01:
► P. 64.15



RJUM-03:
► P. 64.19



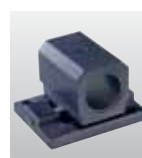
RJUM-06:
► P. 64.27



FJUM-01:
► P. 64.34



FXUM-02:
► P. 64.35



RXUM-06 LL:
► P. 64.28

Phone +49 - 22 03 - 96 49-145
Fax +49 - 22 03 - 96 49-334

iglus® GmbH
51147 Cologne

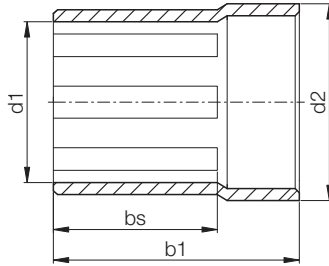
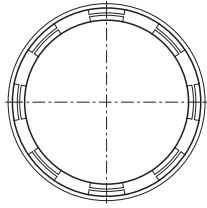
Internet www.igus.de
E-mail info@igus.de

mm

DryLin® R

NEW!*

DryLin® R | Pressfit Bearing WLM | mm



Structure – part no.
WLM-0608-10



b1
d2
d1
Metric
Series L1
Material:
iglidur® L100



Special properties

- Pressfit bearing made of iglidur® L100
- Extremely wear resistant
- Low coefficient of friction
- Recommended tolerance for the shaft: h6–h10 (see iglus® shafts ► **chapter 65**)
- Recommended housing bore H7

* Measured with a
plug gauge
Available from stock

Type S – Dimensions [mm]

Part No.	d1 [mm]	Tolerance* [mm]	d2 [mm]	b1 [mm]	bs [mm]
WLM-0608-10	6	+ 0,02 ... + 0,04	8	10	6
WLM-0810-12	8	+ 0,02 ... + 0,04	10	12	8
WLM-1012-14	10	+ 0,02 ... + 0,04	12	14,5	10
WLM-1012-16	10	+ 0,02 ... + 0,04	12	16	10
WLM-1214-16	12	+ 0,02 ... + 0,04	14	16	10
WLM-1214-25	12	+ 0,02 ... + 0,04	14	25	15
WLM-1618-18	16	+ 0,02 ... + 0,04	18	18	10
WLM-1618-26	16	+ 0,02 ... + 0,04	18	26	16
WLM-2023-22	20	+ 0,04 ... + 0,08	23	22,5	12,5
WLM-2023-30	20	+ 0,04 ... + 0,08	23	30	20
WLM-2225-30	22	+ 0,04 ... + 0,08	25	30	20
WLM-2528-29	25	+ 0,04 ... + 0,08	28	29	19
WLM-2528-35	25	+ 0,04 ... + 0,08	28	35	25
WLM-3034-34	30	+ 0,04 ... + 0,08	34	34	24
WLM-3034-40	30	+ 0,04 ... + 0,08	34	40	30
WLM-4044-40	40	+ 0,04 ... + 0,08	44	40	30
WLM-4044-50	40	+ 0,04 ... + 0,08	44	50	40
WLM-5055-50	50	+ 0,04 ... + 0,08	55	50	40
WLM-5055-60	50	+ 0,04 ... + 0,08	55	60	50

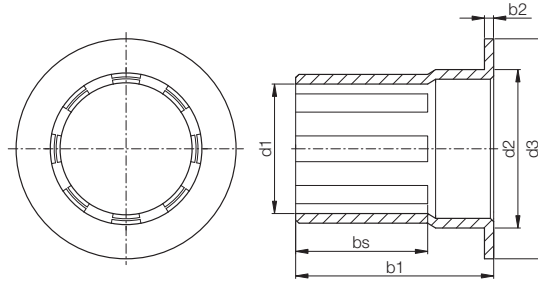
DryLin® R
mm

Phone +49 - 22 03 - 96 49-145
Fax +49 - 22 03 - 96 49-334





DryLin® R | Pressfit Bearing WLFM | mm



Structure – part no.
WLFM-1214-15



- b1
- d2
- d1
- Metric
- Flange
- Series L1
- Material: iglidur® L100



* Measured with a plug gauge

Available from stock

Special properties

- Pressfit bearing made of iglidur® L100
- Extremely wear resistant
- Low coefficient of friction
- Recommended tolerance for the shaft: h6-h10 (see iglus® shafts ► **chapter 65**)
- Recommended housing bore H7

Type F – Dimensions [mm]

Part No.	d1 [mm]	Tolerance* [mm]	d2 [mm]	b1 [mm]	bs [mm]
WLFM-1214-15	12	+ 0,02 ... + 0,04	14	20	15,0 1,0 9
WLFM-1618-16	16	+ 0,02 ... + 0,04	18	24	16,0 1,0 10
WLFM-2023-16	20	+ 0,04 ... + 0,08	23	30	16,5 1,5 10
WLFM-2528-21	25	+ 0,04 ... + 0,08	28	35	21,5 1,5 11
WLFM-3034-27	30	+ 0,04 ... + 0,08	34	42	27,0 2,0 15
WLFM-4044-32	40	+ 0,04 ... + 0,08	44	52	32,0 2,0 20
WLFM-5055-37	50	+ 0,04 ... + 0,08	55	63	37,5 2,5 25



DryLin® high-temperature bearings made of iglidur® X are used to support the sealing bar in this packaging machine. The XUM liners run without lubrication at temperatures of around 130° C, allowing a class leading output of 90 cycles/min.

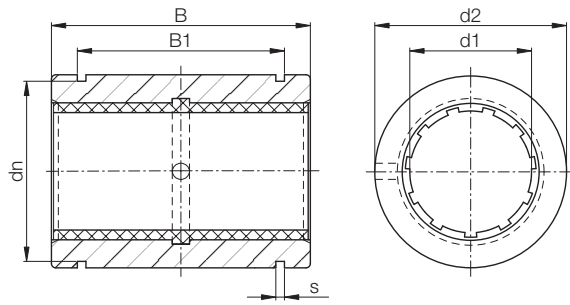
Internet www.igus.de
E-mail info@igus.de

Phone +49 - 22 03 - 96 49-145
Fax +49 - 22 03 - 96 49-334

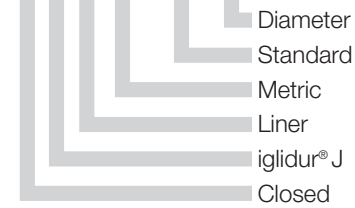
igus® GmbH
51147 Cologne

mm
DryLin® R

DryLin® R | Liner Plain Bearing RJUM-01 | mm



Structure – part no.
R J U M - 01-10



Special properties

- Closed, anodized aluminium housing
- Dimension equivalent to the standard for recirculating ball bearings
- Fitted with JUM-01 liner made of iglidur® J (Standard)
- Recommended housing bore H7
- Recommended tolerance for the shaft: h6-h10 (see igus® shafts ► **chapter 65**)
- Secured by DIN 471 or 472 circlips (not included in delivery)
- Also available with following liners: → XUM-01: for high temperatures, material iglidur® X –
Ex.: RXUM-01-16 → JUM-11: reduced max. bearing clearance, material iglidur® J – Ex.: RJUM-11-16

* According to igus® testing method

► **Page 64.37**

** Nominal diameter under 10 mm are delivered with pressfit sleeve plain bearings

Available from stock

Inner Diameter, Load Capacity and Weight

Part No.	Shaft Ø [mm]	Tolerance* Bearing Inner Diameter [mm]	pmax. [N] Dynamic Load P = 5 MPa	pmax. [N] Static Load P = 35 MPa	Weight [g]
RJZM-01-05**	5	0,025 - 0,060	525	3675	5
RJZM-01-06**	6	0,025 - 0,060	525	3675	5
RJZM-01-08**	8	0,032 - 0,070	960	6720	9
RJUM-01-10	10	0,030 - 0,088	725	5075	14
RJUM-01-12	12	0,030 - 0,088	960	6720	21
RJUM-01-16	16	0,030 - 0,088	1440	10080	28
RJUM-01-20	20	0,030 - 0,091	2250	15750	49
RJUM-01-25	25	0,030 - 0,091	3625	25375	108
RJUM-01-30	30	0,040 - 0,110	5100	35700	162
RJUM-01-40	40	0,040 - 0,115	8000	56000	334
RJUM-01-50	50	0,050 - 0,130	12500	87500	579

Dimensions [mm]

Part No.	d1 [mm]	d2 [mm]	B [mm]	B1 [mm]	s [mm]	dn [mm]
		h7	h10	H10	H10	h10
RJZM-01-05**	5	12	22	14,2	1,10	11,5
RJZM-01-06**	6	12	22	14,2	1,10	11,5
RJZM-01-08**	8	16	25	16,2	1,10	15,2
RJUM-01-10	10	19	29	21,6	1,30	17,5
RJUM-01-12	12	22	32	22,6	1,30	20,5
RJUM-01-16	16	26	36	24,6	1,30	24,2
RJUM-01-20	20	32	45	31,2	1,60	29,6
RJUM-01-25	25	40	58	43,7	1,85	36,5
RJUM-01-30	30	47	68	51,7	1,85	43,5
RJUM-01-40	40	62	80	60,3	2,15	57,8
RJUM-01-50	50	75	100	77,3	2,65	70,5

Plain bearings of series RJUM-01 can be combined with:



- RQA-01: ► P. 64.38
- RTA-01: ► P. 64.40
- RGA-01: ► P. 64.42
- RGAS-01: ► P. 64.44
- JUM-11: ► P. 64.11
- Shafts: ► Chapter 65

Lifetime calculation, CAD files and much more support ► www.igus.de/en/DryLinR



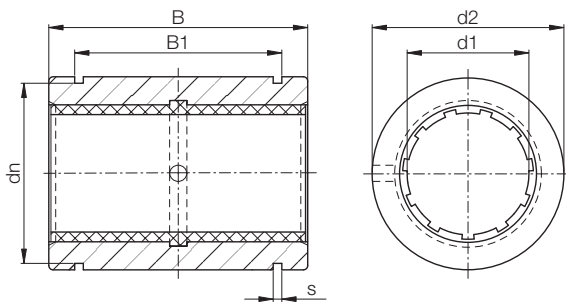
DryLin® R
mm

Phone +49 - 22 03 - 96 49-145
Fax +49 - 22 03 - 96 49-334





DryLin® R | Liner Plain Bearing RJUM-01 | Stainless Steel | mm



Structure – part no.
R J U M - 01-12-ES



- Stainless Steel
- Diameter
- Standard
- Metric
- Liner
- iglidur® J
- Closed



* According to iglus® testing method
▶ **Page 64.37**

Available from stock

Special properties

- Closed stainless steel housing 1.4305
- Dimension equivalent to the standard for recirculating ball bearings
- Fitted with JUM-01 liner made of iglidur® J (Standard)
- Recommended housing bore H7
- Recommended tolerance for the shaft: h6-h10 (see iglus® shafts ▶ **chapter 65**)
- Secured by DIN 471 or 472 circlips (not included in delivery)
- Also available with following liners:
 - XUM-01: for high temperatures, material iglidur® X – Example: RXUM-01-16-ES
 - JUM-11: with reduced maximum bearing clearance material iglidur® J – Example: RJUM-11-16-ES

Inner Diameter, Load Capacity and Weight

Part No.	Shaft Ø [mm]	Tolerance* Bearing Inner Diameter [mm]	pmax. [N]	pmax. [N]	Weight [g]
			Dynamic Load P = 5 MPa	Static Load P = 35 MPa	
RJUM-01-12-ES	12	0,030 - 0,088	960	6720	60
RJUM-01-16-ES	16	0,030 - 0,088	1440	10080	84
RJUM-01-20-ES	20	0,030 - 0,091	2250	15750	147
RJUM-01-25-ES	25	0,030 - 0,091	3625	25375	324
RJUM-01-30-ES	30	0,040 - 0,110	5100	35700	486

Dimensions [mm]

Part No.	d1 [mm]	d2 [mm]	B [mm]		s [mm]	dn [mm]
			h7	h10		
RJUM-01-12-ES	12	22	32	22,6	1,30	20,5
RJUM-01-16-ES	16	26	36	24,6	1,30	24,2
RJUM-01-20-ES	20	32	45	31,2	1,60	29,6
RJUM-01-25-ES	25	40	58	43,7	1,85	36,5
RJUM-01-30-ES	30	47	68	51,7	1,85	43,5

DryLin® W – linear guide system made completely from stainless steel



▶ **Page 63.10**

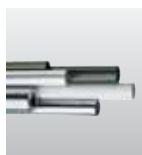
Plain bearings of series RJUM-01 can be combined with:



XUM-01:
▶ **P. 64.12**



JUM-11:
▶ **P. 64.11**



shafts:
▶ **Chapter 65**

Phone +49 - 22 03 - 96 49-145
Fax +49 - 22 03 - 96 49-334

iglus® GmbH
51147 Cologne

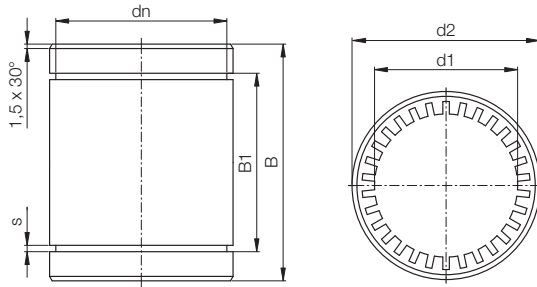
Internet www.igus.de
E-mail info@igus.de

64.16

Lifetime calculation, CAD files and much more support ▶ www.igus.de/en/DryLinR

mm

DryLin® R



Structure – part no.
R J M-01-08



Special properties

- Bearing made of iglidur® J
- Dimensions corresponding to the standard for recirculating ball bearings
- Recommended housing bore (d2) H7
- Installation by force fitting
- Recommended tolerance for the shaft: h6-h10
- Fastening through pressfit or with circlips according to DIN 471 and/or 472 (not included in the delivery)
- The E9 inner tolerance ensues only after the press fit

* According to igus® testing method

► Page 64.37

Available from stock



Inner Diameter, Load Capacity and Weight

Part No.	Shaft Ø [mm]	Tolerance* for d1 E9 [mm]	pmax. [N] Dynamic Load P = 2,5 MPa	pmax. [N] Static Load P = 17,5 MPa	Weight [g]	Press fit Insertion Force [N]
RJM-01-08	8	0,025 - 0,061	250	1750	4	400
RJM-01-10	10	0,032 - 0,075	363	2538	7	700
RJM-01-12	12	0,032 - 0,075	480	3360	9	1300
RJM-01-16	16	0,032 - 0,075	720	5040	13	1100
RJM-01-20	20	0,040 - 0,092	1125	7875	24	1500
RJM-01-25	25	0,040 - 0,092	1813	12688	47	3500
RJM-01-30	30	0,040 - 0,092	2550	17850	72	4500
RJM-01-40	40	0,050 - 0,112	4000	28000	127	4200
RJM-01-50	50	0,060 - 0,134	6250	43750	242	5100

Dimensions [mm]

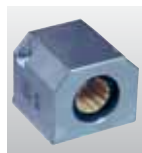
Part No.	d1 [mm]	d2 [mm]	B [mm]	B1 [mm]	s [mm]	dn [mm]
RJM-01-08	8	16	25	16,2	1,10	15,2
RJM-01-10	10	19	29	21,6	1,30	17,5
RJM-01-12	12	22	32	22,6	1,30	20,5
RJM-01-16	16	26	36	24,6	1,30	24,2
RJM-01-20	20	32	45	31,2	1,60	29,6
RJM-01-25	25	40	58	43,7	1,85	36,5
RJM-01-30	30	47	68	51,7	1,85	43,5
RJM-01-40	40	62	80	60,3	2,15	57,8
RJM-01-50	50	75	100	77,3	2,65	70,5



RQA-04:
► P. 64.38



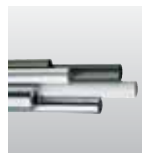
RTA-04:
► P. 64.40



RGA-04:
► P. 64.42



RGAS-04:
► P. 64.44



shafts:
► Chapter 65

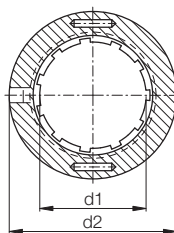
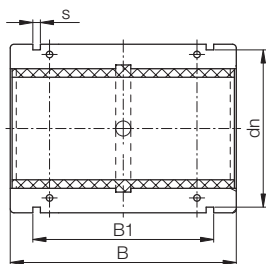
DryLin® R
mm

Phone +49 - 22 03 - 96 49-145
Fax +49 - 22 03 - 96 49-334





DryLin® R | Split Linear Bearing TJUM-01 | mm



Structure – part no.
TJUM - 01-10



mm

DryLin® R

Special properties

- Split, anodized aluminium housing
- Dimensions equivalent to standard recirculating ball bearings
- Fitted as standard with iglidur® J liners (Standard)
- Recommended housing bore H7
- Recommended tolerance for the shaft: h6–h10 (see iglus® shafts ► **chapter 65**)
- Secured by DIN 471 or 472 circlips (not included in delivery)
- Also available with following liners:
 - JUM-11: with reduced maximum bearing clearance material iglidur® J – Example: TJUM-11-16

* According to iglus® testing method
► **Page 64.37**



Available from stock

Phone +49 - 22 03 - 96 49-145
Fax +49 - 22 03 - 96 49-334

iglus® GmbH
51147 Cologne

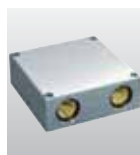
Inner Diameter, Load Capacity and Weight

Part No.	Shaft Ø [mm]	Tolerance* Bearing Inner Diameter [mm]	pmax. [N] Dynamic Load P = 5 MPa	pmax. [N] Static Load P = 35 MPa	Weight [g]
TJUM-01-10	10	0,030 - 0,092	725	5075	14
TJUM-01-12	12	0,030 - 0,097	960	6720	19
TJUM-01-16	16	0,030 - 0,097	1440	10080	27
TJUM-01-20	20	0,030 - 0,103	2250	15750	49
TJUM-01-25	25	0,030 - 0,103	3625	25375	106
TJUM-01-30	30	0,040 - 0,124	5100	35700	166
TJUM-01-40	40	0,040 - 0,124	8000	56000	347
TJUM-01-50	50	0,050 - 0,146	12500	87500	577

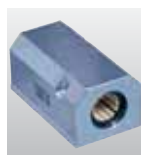
Dimensions [mm]

Part No.	d1 [mm]	d2 [mm]	B [mm]	B1 [mm]	s [mm]	dn [mm]
			h10	H10	H10	
TJUM-01-10	10	19 -0,020-0,040	29	21,6	1,30	17,5
TJUM-01-12	12	22 -0,020-0,040	32	22,6	1,30	20,5
TJUM-01-16	16	26 -0,020-0,040	36	24,6	1,30	24,2
TJUM-01-20	20	32 -0,020-0,045	45	31,2	1,60	29,6
TJUM-01-25	25	40 -0,030-0,055	58	43,7	1,85	36,5
TJUM-01-30	30	47 -0,030-0,055	68	51,7	1,85	43,5
TJUM-01-40	40	62 -0,030-0,060	80	60,3	2,15	57,8
TJUM-01-50	50	75 -0,030-0,060	100	77,3	2,65	70,5

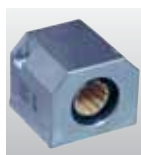
Plain bearings of series TJUM-01 can be combined with:



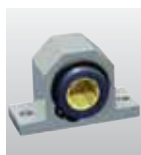
RQA-01:
► P. 64.38



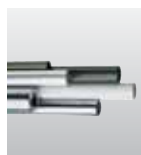
RTA-01:
► P. 64.40



RGA-01:
► P. 64.42



RGAS-01:
► P. 64.44

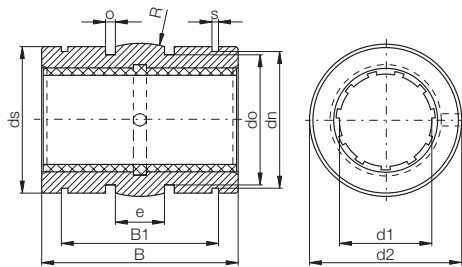


Shafts:
► Chapter 65

Internet www.igus.de
E-mail info@igus.de

64.18

Lifetime calculation, CAD files and much more support ► www.igus.de/en/DryLinR

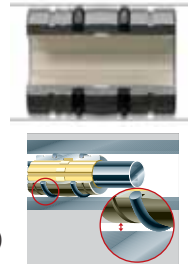


Structure – part no.
R J U M - 03-16



Special properties

- Closed aluminium housing with reduced outer diameter, spherical area on the outer diameter, O-rings for elastic seating and hard anodized surface
- Dimensions otherwise equivalent to standard recirculating ball bearings
- Fitted with JUM-01 liner made of iglidur® J
- Recommended housing bore (d2) H7
- Recommended tolerance for the shaft: h6–h10 (see igus® shafts ► chap. 65)
- Secured by DIN 471 or 472 circlips (not included in delivery)
- Also available with following liners:
 - XUM-01: for high temperatures, material iglidur® X – Example: RXUM-03-16
 - JUM-11: with reduced maximum bearing clearance, material iglidur® J – Example: RJUM-13-16



* According to igus® testing method
► Page 64.37

** Nominal diameter under 10 mm are delivered with pressfit sleeve bearings
Available from stock



Inner Diameter, Load Capacity and Weight

Part No.	Shaft Ø [mm]	Housing-Bore, Ø H7 [mm]	Tolerance* Bearing Inner Diameter [mm]	pmax. [N] Dynamic Load P = 5 MPa	pmax. [N] Static Load P = 35 MPa	Weight [g]
RJZM-03-08**	8	16	0,032 - 0,070	960	6720	8
RJUM-03-10	10	19	0,030 - 0,088	725	5075	11
RJUM-03-12	12	22	0,030 - 0,088	960	6720	17
RJUM-03-16	16	26	0,030 - 0,088	1440	10080	23
RJUM-03-20	20	32	0,030 - 0,091	2250	15750	44
RJUM-03-25	25	40	0,030 - 0,091	3625	25375	92
RJUM-03-30	30	47	0,040 - 0,110	5100	35700	145
RJUM-03-40	40	62	0,040 - 0,115	8000	56000	311
RJUM-03-50	50	75	0,050 - 0,130	12500	87500	542

Dimensions [mm]

Part No.	d1 [mm]	d2 [mm]	B [mm]	B1 [mm]	s [mm]	dn [mm]	ds [mm]	do [mm]	o [mm]	e [mm]	R [mm]
		h8	h10	H10	H10	h10	h10		+0,1		
RJZM-03-08**	8	15,8	24,9	16,4	1,10	15,0	15,5	13,2	1,86	5,0	20,0
RJUM-03-10	10	18,8	28,9	21,8	1,30	17,5	18,5	15,4	1,86	5,0	13,0
RJUM-03-12	12	21,8	31,9	22,8	1,30	20,5	21,5	18,4	1,86	6,0	18,0
RJUM-03-16	16	25,8	35,9	24,9	1,30	24,2	25,5	20,4	2,86	8,0	32,0
RJUM-03-20	20	31,8	44,8	31,5	1,60	29,6	31,5	26,4	2,86	10,0	50,0
RJUM-03-25	25	39,8	57,8	44,1	1,85	36,5	39,5	34,4	2,86	12,5	39,0
RJUM-03-30	30	46,7	67,8	52,1	1,85	43,5	46,0	41,4	2,86	15,0	57,0
RJUM-03-40	40	61,7	79,8	60,9	2,15	57,8	61,0	56,4	2,86	20,0	100,0
RJUM-03-50	50	74,7	99,8	78,0	2,65	70,5	74,0	69,4	2,86	25,0	157,0

Plain bearings of series RJUM-03 can be combined with:


RQA-03:
 ► P. 64.38


RTA-03:
 ► P. 64.40


RGA-03:
 ► P. 64.42


RGAS-03:
 ► P. 64.44


Shafts:
 ► Chapter 65

DryLin® R mm

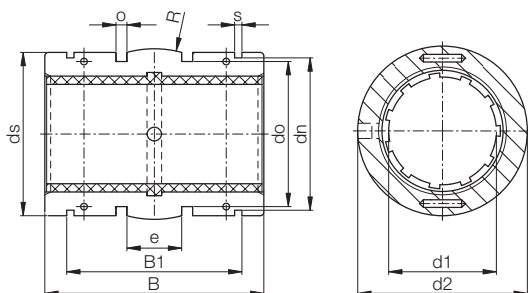
Phone +49 - 22 03 - 96 49-145
Fax +49 - 22 03 - 96 49-334







DryLin® R | Linear Plain Bearing TJUM-03 | mm



Structure – part no.
TJUM-03-16



- Diameter
- Self-aligning
- Metric
- Liner
- iglidur®J
- Split

mm

DryLin® R

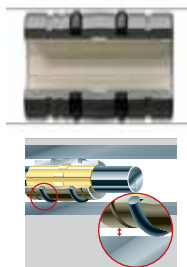
Phone +49 - 22 03 - 96 49-145
Fax +49 - 22 03 - 96 49-334

iglus® GmbH
51147 Cologne

Internet www.igus.de
E-mail info@igus.de

Special properties

- Split aluminium housing with spherical area on the outer diameter for self aligning purposes
- Dimensions otherwise equivalent to standard recirculating ball bearings
- Fitted as standard with iglidur® J liners
- Recommended housing bore H7
- Recommended tolerance for the shaft: h6–h10
(see iglus® shafts ► **chapter 65**)
- Secured by DIN 471 or 472 circlips (not included in delivery)
- Also available with following liners:
→ JUM-11: with reduced maximum bearing clearance, material iglidur® J – Example: TJUM-13-16



* According to iglus® testing method

► **Page 64.37**

Available from stock



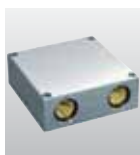
Inner Diameter, Load Capacity and Weight

Part No.	Shaft Ø [mm]	Tolerance* Bearing Inner Diameter [mm]	pmax. [N] Dynamic Load P = 5 MPa	pmax. [N] Static Load P = 35 MPa	Weight [g]
TJUM-03-10	10	0,030-0,092	725	5075	11
TJUM-03-12	12	0,030-0,097	960	6720	17
TJUM-03-16	16	0,030-0,097	1440	10080	23
TJUM-03-20	20	0,030-0,103	2250	15750	44
TJUM-03-25	25	0,030-0,103	3625	25375	92
TJUM-03-30	30	0,040-0,124	5100	35700	145
TJUM-03-40	40	0,040-0,124	8000	56000	311
TJUM-03-50	50	0,050-0,146	12500	87500	542

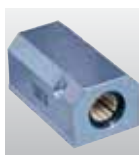
Dimensions [mm]

Part No.	d1 [mm]	d2 [mm]	B [mm]	B1 [mm]	s [mm]	dn [mm]	ds [mm]	do [mm]	o [mm]	e [mm]	R [mm]
			h10	H10	H10	h10	h10		0,4		
TJUM-03-10	10	19 -0,020-0,040	28,9	21,8	1,30	17,5	18,5	15,4	1,86	5,0	13,0
TJUM-03-12	12	22 -0,020-0,040	31,9	22,8	1,30	20,5	21,5	18,4	1,86	6,0	18,0
TJUM-03-16	16	26 -0,020-0,040	35,9	24,9	1,30	24,2	25,5	20,4	2,86	8,0	32,0
TJUM-03-20	20	32 -0,020-0,045	44,8	31,5	1,60	29,6	31,5	26,4	2,86	10,0	50,0
TJUM-03-25	25	40 -0,030-0,055	57,8	44,1	1,85	36,5	39,5	34,4	2,86	12,5	39,0
TJUM-03-30	30	47 -0,030-0,055	67,8	52,1	1,85	43,5	46,0	41,4	2,86	15,0	57,0
TJUM-03-40	40	62 -0,030-0,060	79,8	60,9	2,15	57,8	61,0	56,4	2,86	20,0	100,0
TJUM-03-50	50	75 -0,030-0,060	99,8	78,0	2,65	70,5	74,0	69,4	2,86	25,0	157,0

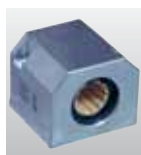
Plain bearings of series TJUM-03 can be combined with:



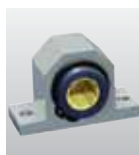
RQA-03:
► P. 64.38



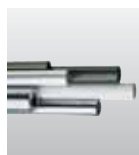
RTA-03:
► P. 64.40



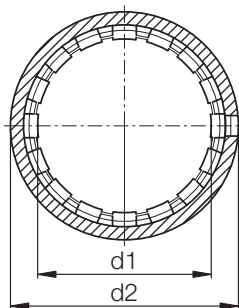
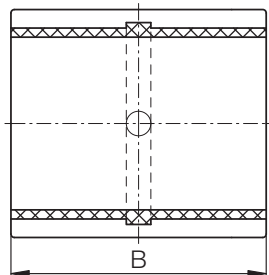
RGA-03:
► P. 64.42



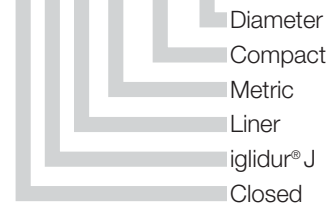
RGAS-03:
► P. 64.44



Shafts:
► Chapter 65



Structure – part no.
R J U M - 0 2 - 1 6



Special properties

- Compact dimensions
- Closed, anodized aluminium housing
- Dimensions equivalent to standard recirculating ball bearings
- Fitted with JUM-02 liners made of iglidur® J (Standard)
- Recommended tolerance for the shaft: h6–h10 (see igus® shafts ► **chapter 65**)
- Secured by pressfitting in steel housing bore H7 or aluminium housing bore K7
- Also available with following liners:
 - XUM-02: for high temperatures, material iglidur® X – Example: RXUM-02-16
 - JUM-12: with reduced maximum clearance, material iglidur® J – Example: RJUM-12-16

* According to igus® testing method
► **Page 64.37**

Available from stock

Inner Diameter, Load Capacity and Weight

Part No.	Shaft Ø [mm]	Housing Bore, Ø H7/K7 [mm]	Tolerance* Bearing Inner Diameter [mm]	pmax. [N] Dynamic Load P = 5 MPa	pmax. [N] Static Load P = 35 MPa	Weight [g]
RJZM-02-06**	6	12	0,032 - 0,070	600	4200	4
RJZM-02-08**	8	15	0,032 - 0,070	650	4550	6
RJUM-02-10	10	17	0,030 - 0,088	650	4550	8
RJUM-02-12	12	19	0,030 - 0,088	840	5880	10
RJUM-02-16	16	24	0,030 - 0,088	1200	8400	17
RJUM-02-20	20	28	0,030 - 0,091	1500	10500	18
RJUM-02-25	25	35	0,030 - 0,091	2500	17500	42
RJUM-02-30	30	40	0,040 - 0,110	3750	26250	56
RJUM-02-40	40	52	0,040 - 0,115	6000	42000	113
RJUM-02-50	50	62	0,050 - 0,130	8750	61250	147

Dimensions [mm]

Part No.	d1 [mm]	d2 [mm] k7	B [mm] h10
RJZM-02-06**	6	12	22
RJZM-02-08**	8	15	24
RJUM-02-10	10	17	26
RJUM-02-12	12	19	28
RJUM-02-16	16	24	30
RJUM-02-20	20	28	30
RJUM-02-25	25	35	40
RJUM-02-30	30	40	50
RJUM-02-40	40	52	60
RJUM-02-50	50	62	70

** Nominal diameter under 10 mm are delivered with pressfit sleeve bearings

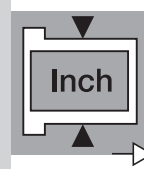


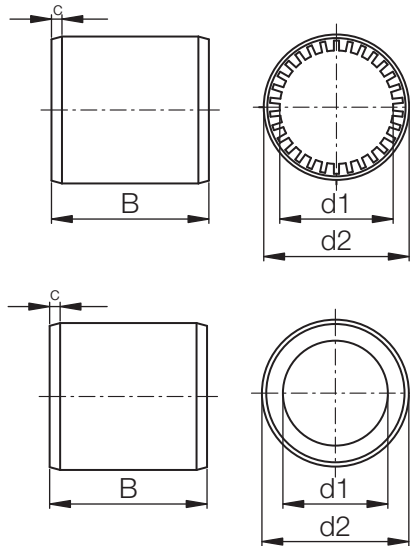
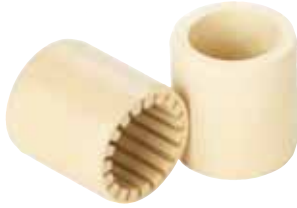
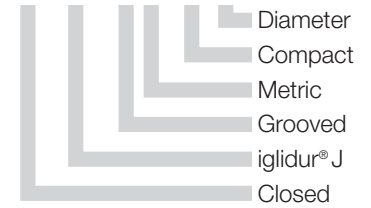
DryLin® R

mm

Phone +49 - 22 03 - 96 49-145

Fax +49 - 22 03 - 96 49-334



**Structure – part no.
R J260 UM-02-16**

mm

DryLin® R

Phone +49 - 22 03 - 96 49-145
Fax +49 - 22 03 - 96 49-334igus® GmbH
51147 Cologne**Special properties**

- Low-cost linear plain bearing with dimensions that are compatible with compact ball bearings
- 2 Variations: RJ260M (with plain design) and RJ260UM (grooved design)
- Material: iglidur® J260
- Press fit into in housing bore H7
- Recommended tolerance for the shaft: h6 – h10 (see igus® shafts ► **chapter 65**)

* According to igus® testing method

► **Page 64.37**

Available from stock

Dimensions [mm]

Part No.	Shaft Ø	Tolerance* Bearing Inner Diameter	d2	B	C	pmax. [N] Dynamic Load P = 5 MPa	pmax. [N] Static Load P = 35 MPa	Weight [g]
Grooved Bearing	[mm]	[mm]	[mm]	[mm]	[mm]			
RJ260UM-02-12	12	0,035 - 0,080	19	28	1,5x15°	420	2940	6,2
RJ260UM-02-16	16	0,035 - 0,080	24	30	1,5x15°	600	2400	9,7
RJ260UM-02-20	20	0,040 - 0,095	28	30	2,0x15°	750	5250	11,7
RJ260UM-02-25	25	0,040 - 0,095	35	40	2,0x15°	1250	8750	22,8

Part No.	Shaft Ø	Tolerance* Bearing Inner Diameter	d2	B	C	pmax. [N] Dynamic Load P = 5 MPa	pmax. [N] Static Load P = 35 MPa	Weight [g]
Plain Bearing	[mm]	[mm]	[mm]	[mm]	[mm]			
RJ260M-02-12	12	0,035 - 0,080	19	28	1,5x15°	420	2940	6,2
RJ260M-02-16	16	0,035 - 0,080	24	30	1,5x15°	600	2400	9,7
RJ260M-02-20	20	0,040 - 0,095	28	30	2,0x15°	750	5250	11,7
RJ260M-02-25	25	0,040 - 0,095	35	40	2,0x15°	1250	8750	22,8

Internet www.igus.de
E-mail info@igus.de