

SINEAX VS30

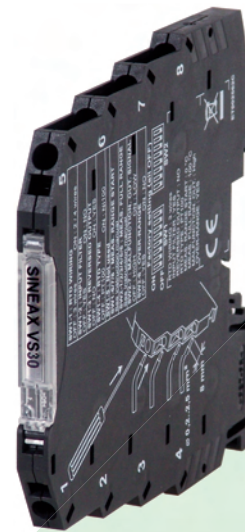
Signal Converter

Pt100, Ni100 / loop-powered converter



Features / Benefits

- Input: Pt100 (– 200 ... + 650 °C), Ni100 (– 60... + 250 °C),
- Output: Current 4 ... 20 or 20 ... 4 mA
- Max. consumption 24 mA
- Measurement conversion 16 bit
- Power supply range 5 ... 30 V DC (loop-powered)
- Small dimensions (6.2 x 93.1 x 102.5 mm)
- Accuracy class 0.1% or 0.1 °C
- Programming via dip-switch or software



General Data

Power supply	5 ... 30 V DC
Thermal derivation	< 0.01 %/K
Status indicators (LED)	Anomaly, alarm
Max. power consumption	from 21 mA to 24 V DC
Lowest consumption (no load)	7.5 mA
Galvanic isolation	No
A/D Conversion	16 bit
Frequency filter	50 ... 60 Hz (programmable)
DIP Switch	– Input signal setup – Zero and span configuration – Output signal setup
Processing	Floating point 32 bit
Dimensions	6.2 x 93.1 x 102.5 mm (w x h x d)
Housing	Terminal housing for mounting on 35 mm DIN 46277
Weight	45 g
Operating temperature	– 20 ... + 65 °C
Connections	Plug-in screw clamp terminal blocks, wires up to 2.5 mm ²

IP protection	IP 20
Conformity	CE
Special functions	Programmable filter open circuit supervision

Input Data

Pt100 probe (IEC 751/EN 60751-ITS90)	Connection by 2, 3 or 4 wires Measurement range: – 200 ... 650 °C Min. span: 20 °C
Ni100 probe	Connection by 2, 3 or 4 wires Measurement range: – 60 ... 250 °C Min. span: 20 °C

Output Data

Current	Range: 4 ... 20 / 20 ... 4 mA Higher current for protection: 25 mA Higher load resistance: 500 Ω
---------	--

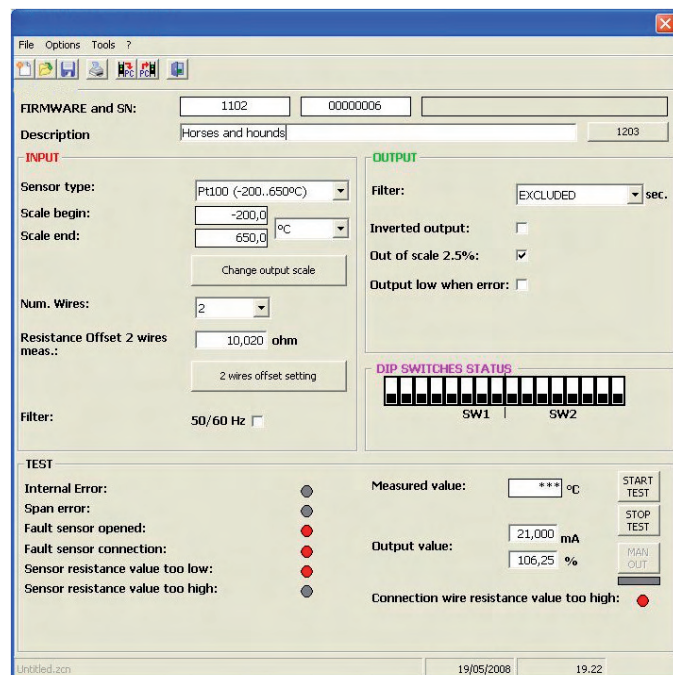
SINEAX VS30

Signal Converter

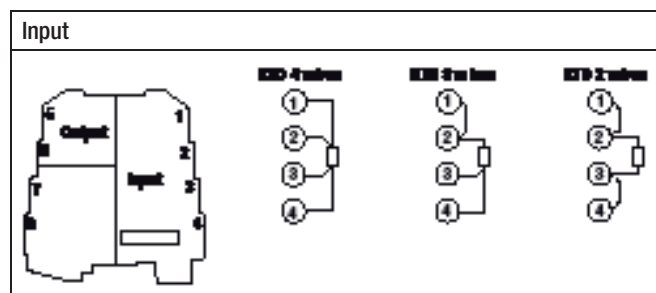
Order Codes

Description	Code
Pt100, Ni100 / loop-powered converter	162 769
Accessories (programming): USB_TTL-RS232 Serial converter USB cable TTL cable Software-CD	162 917

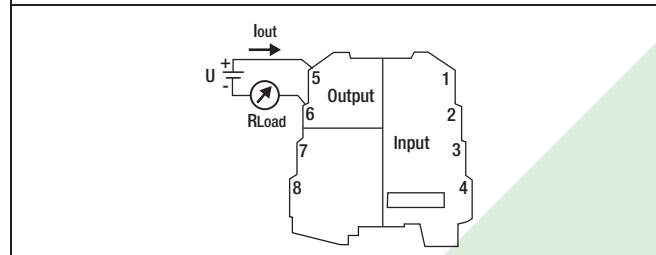
Software



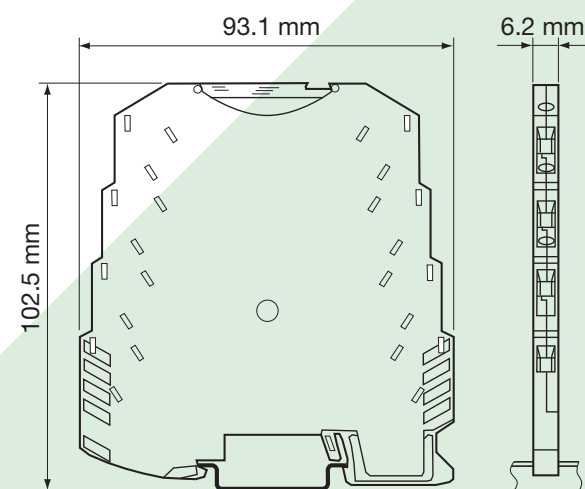
Electrical connections



Output and power supply



Dimensional drawing



CAMILLE BAUER

Rely on us.

Camille Bauer Ltd
Aargauerstrasse 7
CH-5610 Wohlen / Switzerland
Phone: +41 56 618 21 11
Fax: +41 56 618 35 35
e-mail: info@camillebauer.com
www.camillebauer.com