

*High quality for demanding architecture
in the industrial and project sectors*



Fire and Smoke-Tight Sliding Doors Multi-Purpose Sliding Doors

Steel and stainless steel single-leaf, double-leaf and telescopic versions



T30

EI₂30

T90

EI₂90

RS

Sm

MZ





Brand quality from Hörmann	4
Hörmann fire protection elements	6
Sustainable production	8
Application examples	10
Good reasons to try Hörmann	12
Quality in the details	14
Surface finishes and colours	16
Special equipment	18
Fire and smoke-tight sliding doors	
Multi-purpose sliding doors	20
Wicket door without threshold rail	22
Horizontal and vertical views	24
Sliding doors with wicket door	26
Recess and ceiling flaps	27
Fitting data	28
Hörmann product range	30

Copyright: No part or excerpt may be reproduced without our prior permission.
 Subject to changes. Some of the doors shown are special versions and may require approval in individual cases.

Brand-name quality for top safety and reliability



Lenkwerk in Bielefeld, Germany, featuring Hörmann products



In-house product development

Growing and constantly changing functional and safety requirements necessitate continuous new construction / equipment developments and improvements, especially when it comes to moveable construction components such as doors. In this area, our qualified development teams time and again prove their great specialised expertise.



Highly sophisticated production methods

We at Hörmann rely on the latest production technology at our specialised factories. Computer-controlled operations ensure dimensionally accurate elements with perfectly fitted fittings and functional parts.



As Europe's leading manufacturer of doors and frames, we are committed to high product and service quality. This is how we set standards on an international scale.

Highly-specialised factories develop and manufacture construction components that are characterised by excellent quality, functional safety and a long service life.

Our presence in the global economy's key regions makes us a strong, future-oriented partner for industrial and public construction projects.



Fire testing centre with test laboratory

Our new and further developments are constantly tested for the required fire resistance and smoke-tightness through in-house fire tests at our fire testing centre. The knowledge gained from these tests ensures high fire protection for buildings. They also allow us to optimally prepare our innovations for the official inspections by the accredited testing centres for official approvals.



Expert building support

Experienced specialists of our customer-oriented sales organisation support you from the planning stage, through technical clarification up to the final building inspection.

Expert fitting is guaranteed by experienced Hörmann fitters and the specialised trained staff of Hörmann's partners.

Hörmann fire protection elements

The right solution for any requirement





Europe's largest fire protection programme



Flush-fitting steel fire-rated doors

The most obvious feature of STS / STU fire-rated and smoke-tight doors is the flat, fully bonded door leaf, along with the flush-fitting 100 % matching appearance of the T30 / EI₂30, T90 / EI₂90 and smoke-tight versions.



Multi-function doors

They are characterised by their matching appearance. The advantage for architects and building owners: doors that fulfil different functional requirements and are fitted on the same floor are perfectly matched to one another.



Fully glazed fire and smoke protection elements

Hörmann's aluminium and steel fire-rated/smoke-tight doors and glazings will convince you with certified safety, perfect function and a 100 % matching appearance. These products allow Hörmann to provide a uniform fire protection concept for use in architecturally demanding construction projects.



Visibility windows

Hörmann visibility glazings are used as windows or room-high elements to provide more light and better visibility. Visibility glazing is available for requirements like heat and acoustic insulation or radiation protection. All versions are offered in fire-retarding F30 and fire-resistant F90 variants. Individual solutions can be implemented using rail divisions and angles.

Sustainable production

For trend-setting construction



Sustainability documented and approved by the ift in Rosenheim

Hörmann has already received confirmation of the sustainability of all its multi-function doors through an environmental product declaration (EPD)* in accordance with ISO 14025 from the Institut für Fenstertechnik (ift – Institute of window technology) in Rosenheim.

The inspection was based on the Product Category Rules (PCR) Doors and Gates from ift Rosenheim GmbH, issue PCR-TT-0.1.

Environmentally-friendly production was confirmed by a life-cycle analysis in accordance with DIN ISO 14040 / 14044 for all sliding doors.

Sustainably produced fire and smoke-tight elements from Hörmann

Environmentally friendly production
A comprehensive energy management system ensures environmentally-friendly production.

Regional raw materials
The majority of applied raw materials is purchased from Germany and central Europe.

Long-lasting products
A long service life and low maintenance costs thanks to the use of high-quality materials.

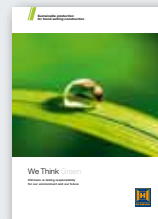
Sustainable construction with Hörmann's expertise

Hörmann has been able to gain great expertise in sustainable construction through various projects. We also apply this know-how to support your projects. Another advantage:

For every project order, the required data for LEED certification are automatically generated.



DGNB
Deutsche Gesellschaft für Nachhaltiges Bauen e.V.
German Sustainable Building Council



Find out more about Hörmann's environmental activities in the We think green brochure.

Application examples

Fire and smoke-tight sliding doors and multi-purpose sliding doors



Telescopic fire sliding doors are especially suited for installation situations with small parking areas.

Application examples

Fire and smoke-tight sliding doors and multi-purpose sliding doors



Sliding doors are available in 7 preferred colours and all RAL colours. For further information, please see page 17.



The galvanized Pearlgrain surface is particularly suitable for use in warehouses. For further information, please see pages 13 and 17.



Using recess flaps, the sliding doors are inconspicuously integrated into public areas. For further information, please see page 19.

Good reasons to try Hörmann

High-quality versions for the project sector;
functional solutions for the industrial sector



1

High-quality overall appearance

High-quality overall appearance with the patented groove/spring element connection
Hörmann sliding doors offer a modern appearance through a patented V groove at the element joint without visible screw connections. The high stability is ensured through the interlocked, toothed labyrinth plug-in profile. The elements are 72 mm wide, fully glued and flush, and aligned with each other through threaded rods. This creates a high-quality door leaf with parallel, uniform-width borders.

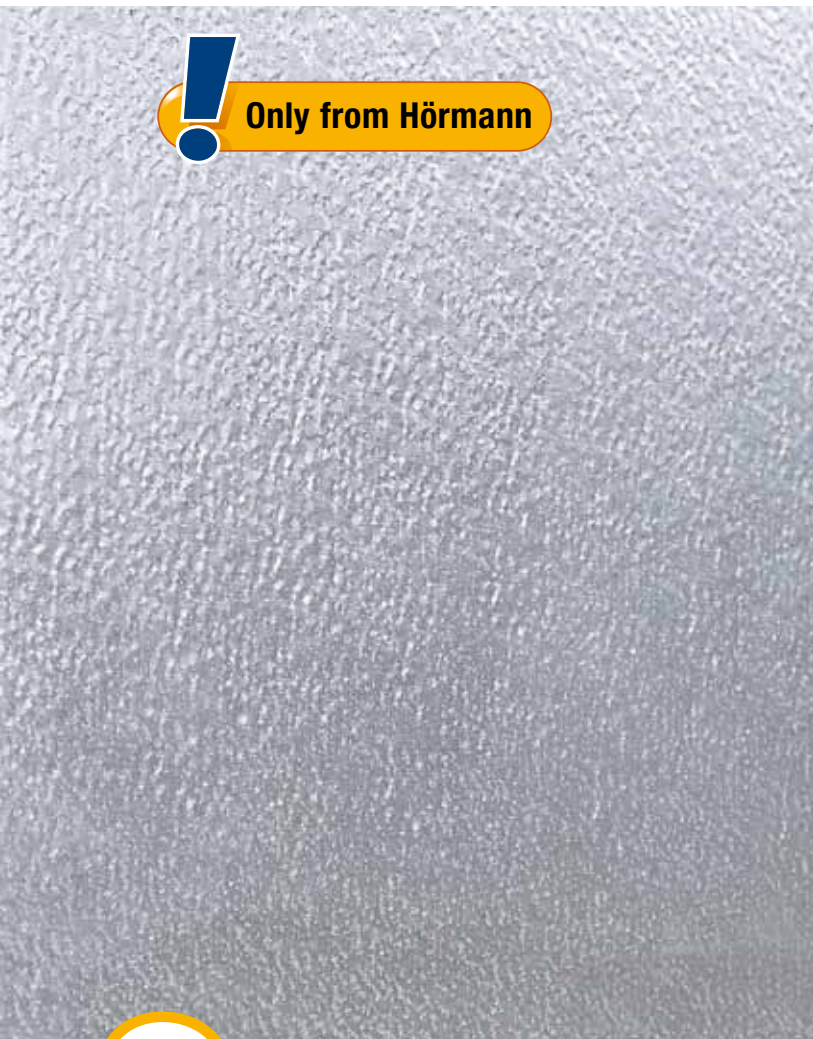
2

Precise door leaf guide

Precise door leaf guide with patented track
The cylindrical track roller and the stable track roller, in conjunction with the patented track, work together to provide an optimal force balance. Quiet operation and easy actuation is ensured, thanks to a suspension with ball-bearing.



Only from Hörmann



Only from Hörmann



3

Exclusive Pearlgrain surface finish

Resistant Pearlgrain version

For special requirements a sliding door, including wicket door, can be produced with the Pearlgrain surface. This surface is resistant to mechanical damage during operation and fitting. The galvanized version is especially suited for use in warehouses and areas with frequent traffic. The track panel, weight box and profile all have smooth design. The Pearlgrain surface is optionally available in a RAL colour of your choice.

4

Wicket door without threshold rail

Wicket doors without threshold rails provide more convenience and safety

Hörmann is the only manufacturer with licensed trip-free wicket doors for smoke-tight sliding doors. Opening the wicket door in both directions is possible, depending on the rescue route planning. It can be variably fitted to either open into the reveal or away from it. Furthermore, two wicket doors per door leaf are possible, opening in opposite directions, as well as glazing in the door set.

Quality in the details

High-quality door construction for demanding architecture



**Approved and certified in accordance
with EN 12605 class C5 (long-term function tests
with 200,000 door cycles)**



1 Slim overall construction

- Depth of just 132 mm
- Minimum width for recess flaps: 160 mm to max. 360 mm (flap width)
- Recess width: 180 mm to max. 380 mm

2 Track panel

- Blends well with the door leaf
- Galvanized, RAL to choose and stainless steel
- Easy fitting with few screw fittings

3 Closing weights

- Easy fitting and maintenance with screw-mountable weights

4 Guiding profile / centring device

- Centring device for precise door guidance in the guiding profile

5 Guidance damper

- Galvanized and stainless steel V2 A versions
- Integrated into door leaf for single-leaf T30/EI₂30 fire sliding doors **// NEW**

6 Integrated track roller

- Horizontally adjustable
- Concealed in door leaf after fitting

7 Hydraulic track control

- For continuously adjustable closing speeds (0.08 – 0.2 m/s)
- Invisibly integrated into the weight box

8 Glazing in wicket door and door leaf

- Maximum glass size of 500 mm × 1000 mm
- Glazing size: 468 mm × 815 mm (standard)

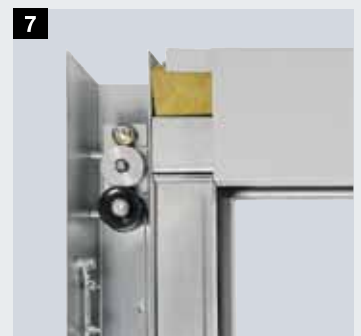
9

10 Grip and recessed handles

- High-quality stainless steel version as standard **// NEW**

11 Concealed wicket door / door leaf monitoring // NEW

- Concealed cable routing in door leaf
- Concealed magnetic contact in the wicket door
- No possibility of operational damage
- Spiral cable and socket at the end of the door leaf

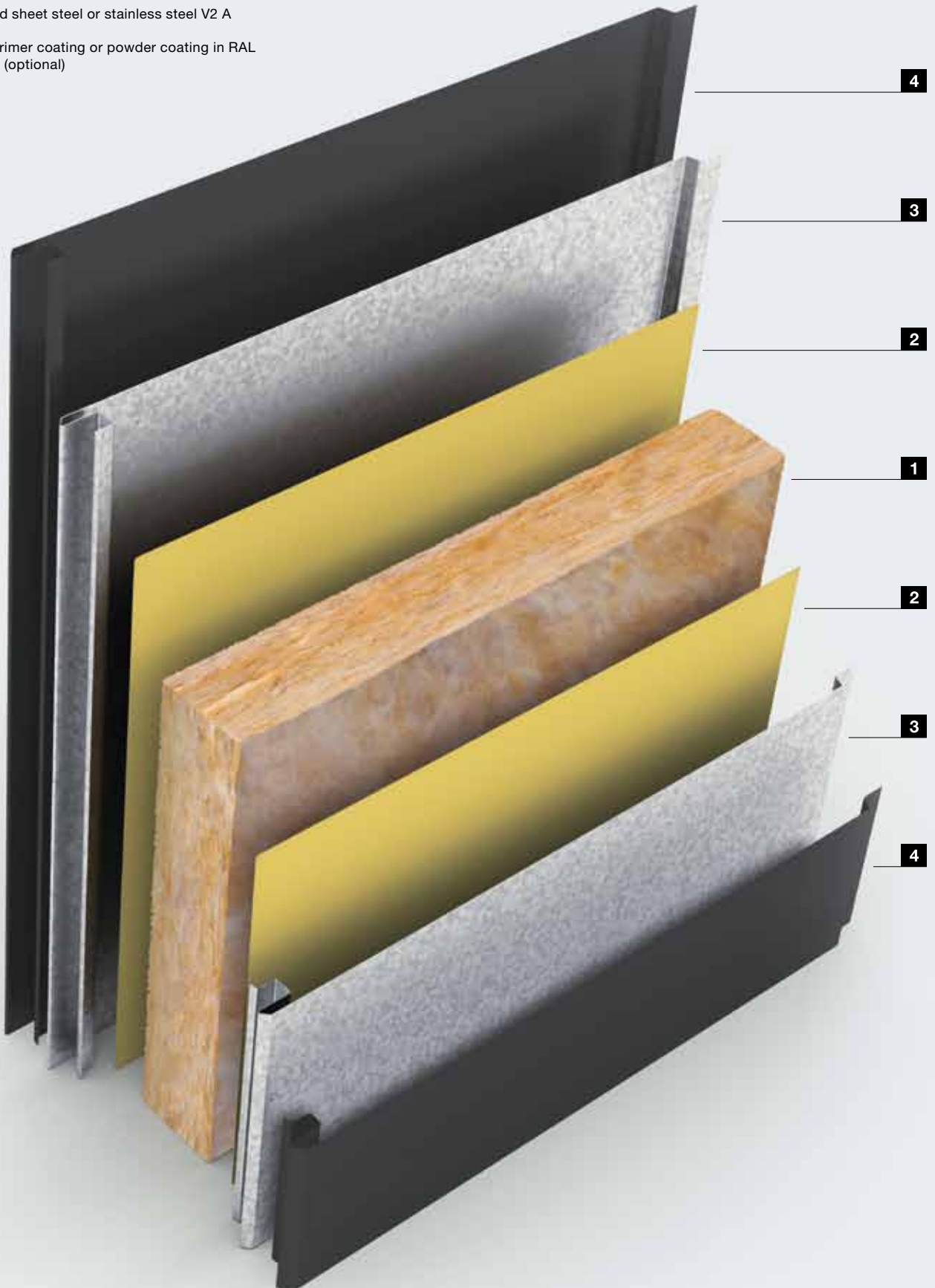


Surface finishes and colours

Galvanized, colour-coated or stainless steel

Door leaf design

- 1** Fire protection material
- 2** Fully bonded
- 3** Galvanized sheet steel or stainless steel V2 A
- 4** Powder-primer coating or powder coating in RAL to choose (optional)



Door leaf surface finishes



Pearlgrain, galvanized



Smooth sheet steel, galvanized



Stainless steel V2 A – grain size 240

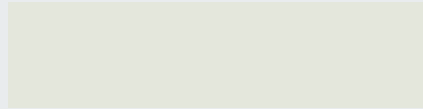
Preferred colours



Flame red RAL 3000



Anthracite grey RAL 7016



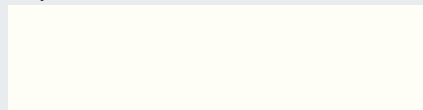
Grey white RAL 9002



White aluminium RAL 9006



Grey aluminium RAL 9007



Pure white RAL 9010



Traffic white RAL 9016



RAL to choose

We also optionally provide all doors in the RAL colour of your choice.

Surface finishes and colours

For the door leaf you have a choice of Pearlgrain or smooth steel sheet surfaces. The track and profiles are smooth in both variations.

The flush and fully bonded sliding doors are delivered galvanized as standard. Optionally, you can also choose these surfaces primed in Grey white, RAL 9002, 6 further preferred colours and in all other RAL colours. Through the fast-track programme, Hörmann delivers the preferred colours to the construction site within 15 working days.

Stainless steel version

For special visual or construction requirements, doors in stainless steel V2 A with a 240 K grain size are suitable.

All colours based on RAL.

Special equipment

Everything is possible

Compensator

The compensator allows for free positioning of the door leaf. This means the door can be easily opened, even, for example, only halfway, making the door ideal for a fire sliding door that is operated many times each day. The door closes with the push of a button in the case of fire or automatically in a power failure. The radial damper for regulating the required timer speed (5 – 12 cm/s) is integrated in the compensator carriage. The compensator is not available for doors with wicket doors.



Opening aid

Automatic door opening with press-and-hold button operation. The integrated hold-open device ensures that the door leaf is secure in the open position. The closing weights close the door. The opening aid is maintenance-free and optionally available with a key switch.



Lockable door leaf and wicket door

For single- and double-leaf fire sliding doors, you can optionally choose hook catch or curved bolt locks with profile cylinders in the door leaf.

Hook catch lock

- Backset 120 mm, profile cylinder and KABA
- Backset 250 mm, profile cylinder; for example, for recess flaps

Curved bolt lock

- Backset 120 mm profile cylinder und KABA

For a simple retrofitting of single- and double-leaf doors, a retrofit lock is available.





Acoustic and visual/acoustic alarm system
 In addition to the standard alarm system with just an acoustic signal, an optional variant is available with a visual and acoustic signal in accordance with DIN EN 14600 (see illustration).



Smoke sensor
 The smoke sensor is available with visual smoke detection (ORS 142) or thermal differential switch (TDS 247). Optionally, the wireless smoke detector (ORS 145) is available with visual smoke detection. The radio transmission decreases the time required for installing a new systems, because no cables need to be laid. Special versions can also be installed in cold store areas.



Recess flap with the door closed



Recess flap with the door opened

Recess and ceiling flaps
 The solution for architecturally demanding areas, in which sliding doors must be inconspicuously integrated.

A vertical recess flap blends the inlet and outlet areas of the door. The minimum width for a recess flap is 180 mm.

In the lintel area, the tracks are horizontally blended with a ceiling flap. It is manually closed. The opening is triggered automatically through a control.

Recess and ceiling flaps are also available for telescopic sliding doors.

Fire and smoke-tight sliding doors

Multi-purpose sliding doors

Single-leaf, double-leaf, telescopic versions



MZ **Multi-purpose // NEW**
Single-leaf
Double-leaf
Telescope

T30 **Fire-retarding**
Single-leaf
Double-leaf
Telescope

EI₂30

T90 **Fire-proof**
Single-leaf
Double-leaf
Telescope

EI₂90

RS **Smoke-tight**
Single-leaf
Double-leaf

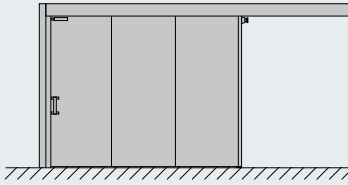
Sm

 **Wicket door**
Single-leaf
Double-leaf
Telescope

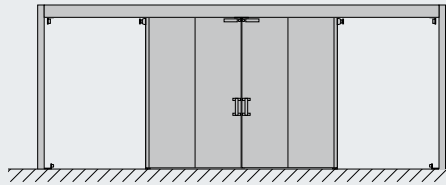
Numerous equipment options

- Smooth steel, galvanized
- Pearlgrain, galvanized
- RAL to choose
- Stainless steel
- Wicket door without threshold rail
- Glazing in wicket door / door set
- Lockable door leaf and wicket door
- Opening aid
- Ceiling/recess flap
- Compensator (cannot be combined with a wicket door)

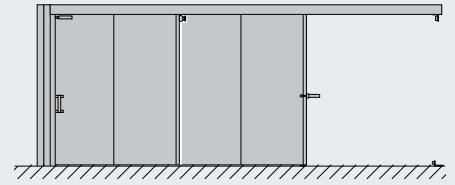
Single-leaf



Double-leaf



Telescopic sliding door

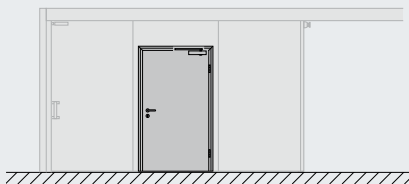


Size range	Single-leaf		Double-leaf		Telescope	
	Width	Height	Width**	Height	Width	Height
Multi-purpose //NEW	FST MZ--1		FST MZ--2		FST MZ-1-T2	
Clear passage dimension	1000 – 12000	2000 – 9000	2000 – 9000	2000 – 9000	2000 – 12000	2000 – 9000
T30/EI₂30 fire-retarding	FST 30-1		FST 30-2		FST 30-1-T2	
Clear passage dimension	1000 – 8500	2000 – 6000	2000 – 8500	2000 – 6000	2000 – 8500	2000 – 6000
T90/EI₂90 fire-proof	FST 90-1		FST 90-2		FST 90-1-T2	
Clear passage dimension	1000 – 8000	2000 – 6000	2000 – 8000	2000 – 6000	2000 – 8000	2000 – 6000
RS smoke-tight *	FST 30-1-RS / FST 90-1-RS		FST 30-2-RS / FST 90-2-RS			
Clear passage dimension	1000 – 7000	2000 – 4500	2000 – 7000	2000 – 4500		
Minimum door sizes with wicket door						
With asymmetric division of leaves	1650	2100	2750	2100	3500	2100
With symmetric division of leaves	1650	2100	3500	2100		

* With wicket door, max. 20 m²

** Division left/right min. 1000 mm

Wicket door



Wicket door

Size range	Width	Height
Standard size	1000	2000
T30/EI₂30 fire-retarding	625 – 1200*	1750 – 2000
T90/EI₂90 fire-proof	625 – 1050	1750 – 2000
RS smoke-tight	625 – 1000	1750 – 2000

* possible with case-by-case approval

Wicket door without threshold rail

Also approved for smoke-tight sliding doors



Design features

- Rebated door construction without threshold rail
- Optional: construction with 22 mm threshold rail (e.g. for exit ramps in underground garages)
- With smoke-protection function up to 20 m² door surface
- Up to 2 wicket doors per door leaf
- Wicket door opening in both directions, depending on the source of danger (also in opposite direction of opening)
- Optional glazing: standard size 468 mm × 815 mm, special size max. 500 × 1000 mm

Wicket door monitoring

- Concealed magnetic contact with concealed wiring (connection via connection box and spiral cable)
- Optional latch switching contact, electric strike

Overhead door closer

- Standard slide rail overhead door closer HDC 35
- Optional: integrated overhead door closer ITS 96

Fittings

- 3-dimensional adjustable hinges, for easy adjustment of the door
- Optional in stainless steel, RAL colours

Lock Variants

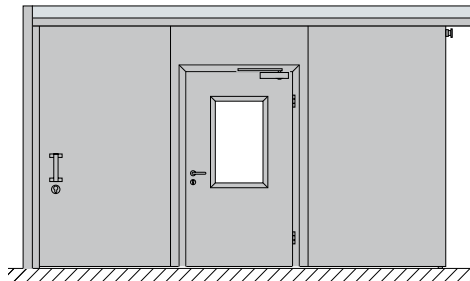
- Mortice lock for fire-rated and smoke-tight doors in accordance with DIN 18250 (standard BKS 1206)
- Optional: panic function in accordance with EN 179 and EN 1125 for wicket doors opening into the reveal

Clear passage

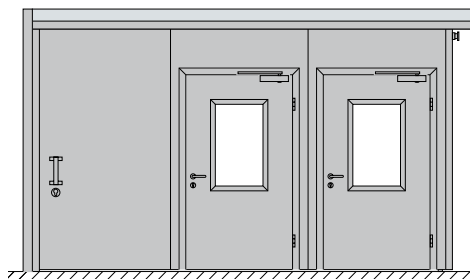
- T30 / EI₂30: up to 1000 × 2000 mm (standard)
- T30 / EI₂30: up to 1200* × 2000 mm (according to the requirements of the high-rise policy HHRL M-V)
- T90 / EI₂90: up to 1000 × 2000 mm

* possible with case-by-case approval

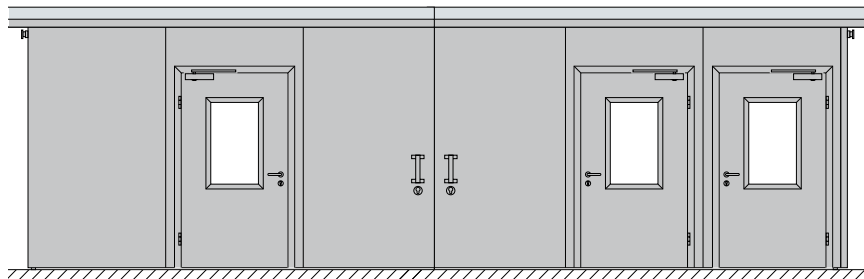
Approved variants of the wicket door



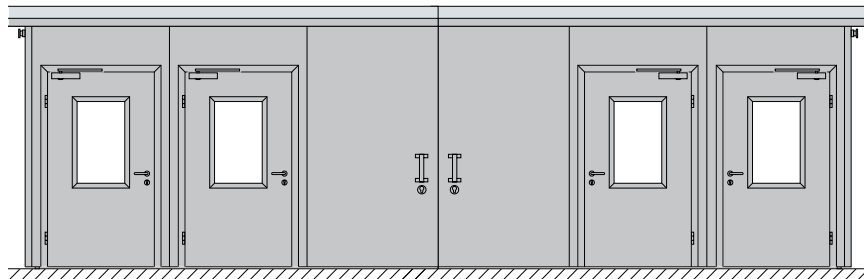
single-leaf with wicket door



single-leaf with two wicket doors



double-leaf with three wicket doors

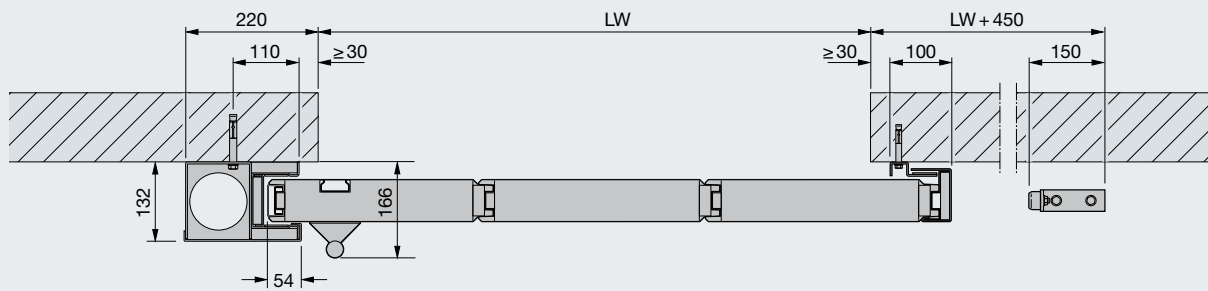


double-leaf with four wicket doors

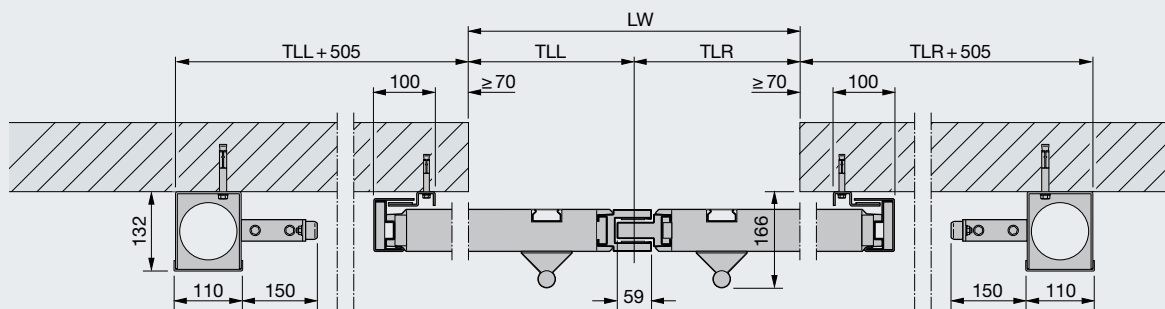
Horizontal views

Single-leaf, double-leaf and telescopic versions

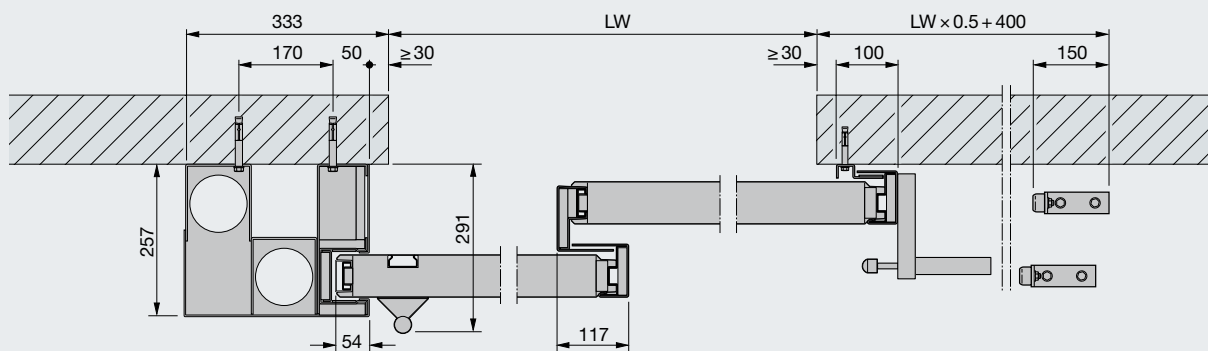
Single-leaf version



Double-leaf version



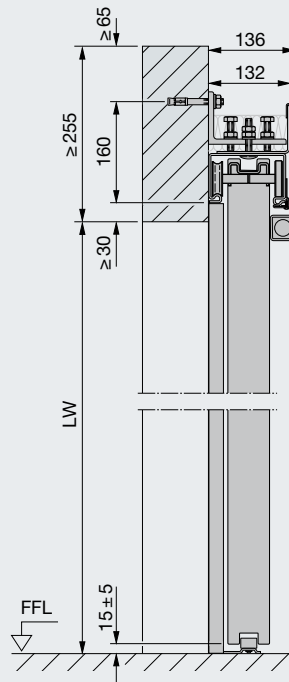
Telescopic version



Vertical views

Single-leaf, double-leaf and telescopic versions

Single- and double-leaf version



Explanations

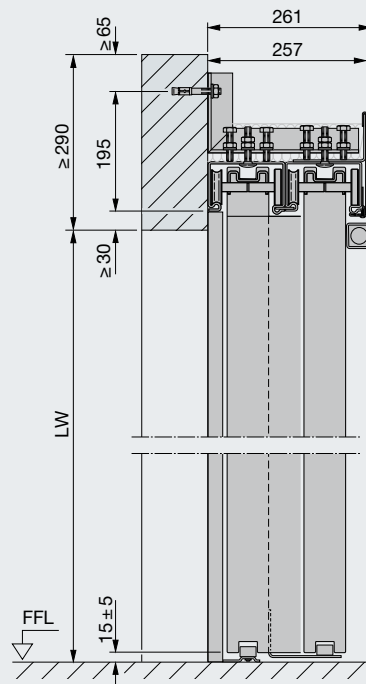
- LW Structural opening
- TLL Division left
- TLR Division right

The illustrated door views show versions with standard guiding, wall fitting, and without a smoke-tight function.

Note

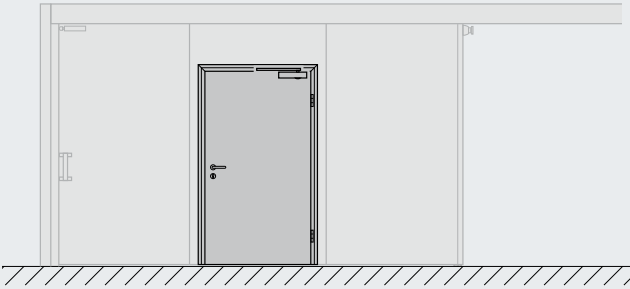
The construction tolerances to be complied with depend on the requirements provided in the official approval

Telescopic version

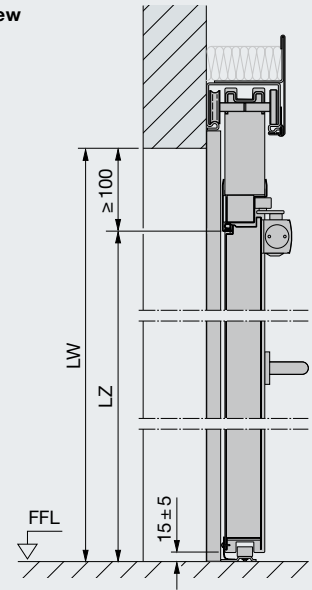


Sliding doors with wicket doors

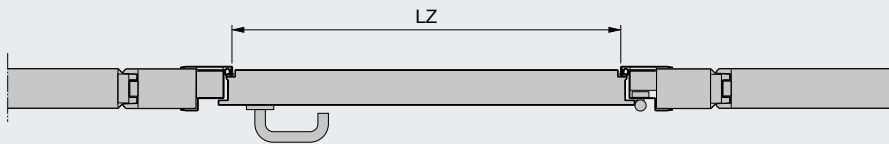
Door view



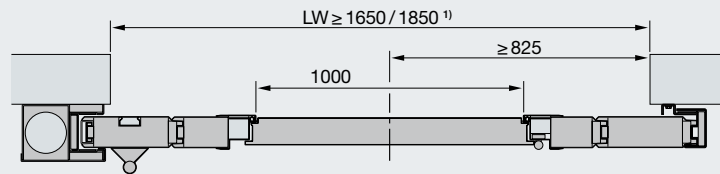
Vertical view



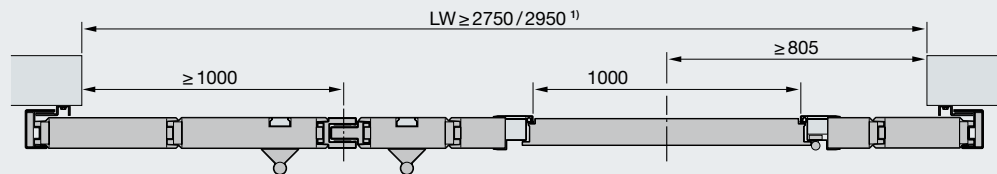
Horizontal view



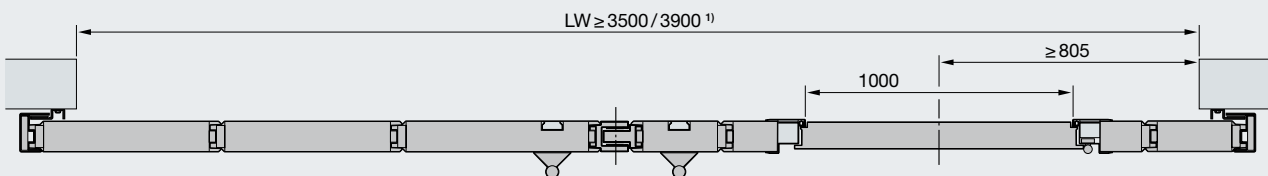
Single-leaf fire sliding door



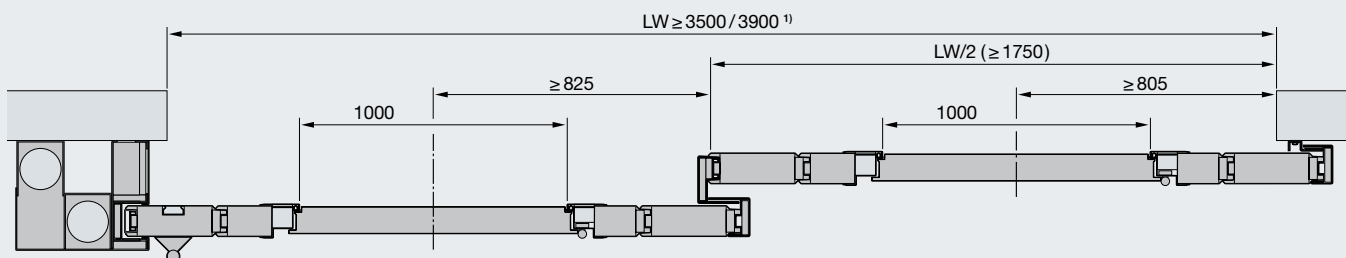
Double-leaf fire sliding door, asymmetrical division



Double-leaf fire sliding door, symmetrical division



Telescope door

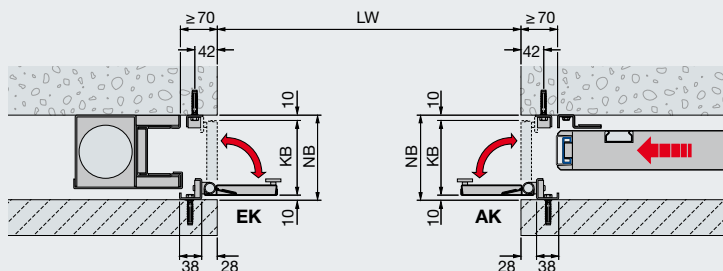


Handle part
T30/EI₂30, T90/EI₂90 available with wicket door

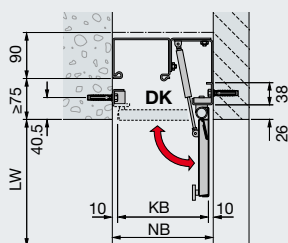
Wall piece
T30/EI₂30 available with wicket door

Recess and ceiling flaps

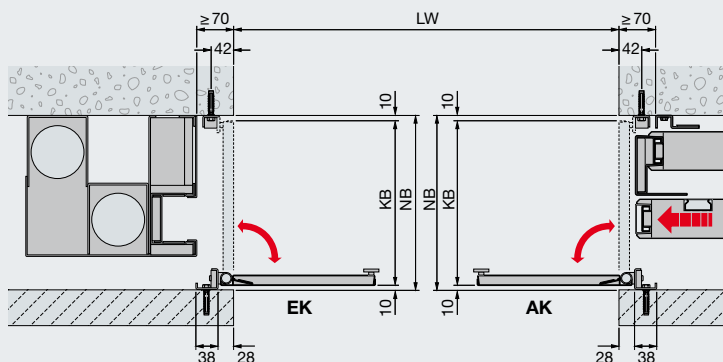
Recess flaps for the wall area
Horizontal view, single- and double-leaf sliding door



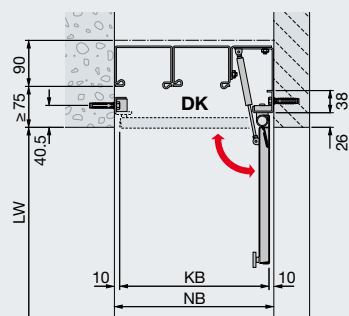
Ceiling flaps for the lintel area
Vertical view, single- and double-leaf sliding door



Recess flaps for the wall area
Horizontal view, telescopic sliding door



Ceiling flaps for the lintel area
Vertical view, telescopic sliding door



Explanations

LW	Structural opening
LZ	Clear frame dimension
EK	Inlet flap
AK	Outlet flap
DK	Ceiling flap
KB	Flap width
NB	Recess width

The illustrated door views show versions with standard guiding, wall fitting, and without a smoke-tight function.

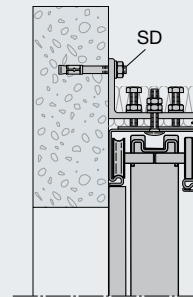
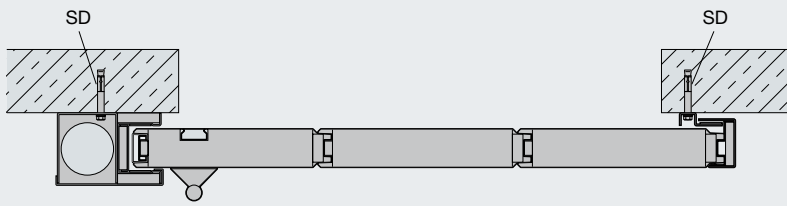
Note

For a recess flap width ≤ 340 mm a door leaf with recessed handle on both sides (vertically offset) is required. For doors with fitted traffic leaf, recessed lever handles and a Dorma ITS 96 are required. Retrofitting of recess flaps in existing door systems is not possible, due to the required larger door overlap.

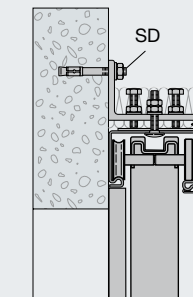
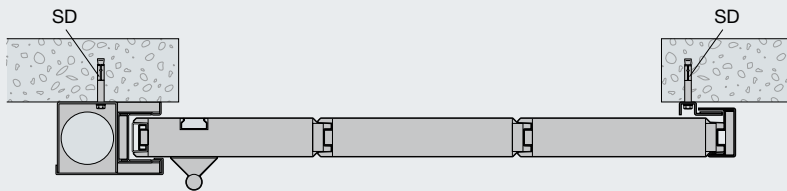
The construction tolerances to be complied with depend on the requirements provided in the official approval of the fire and smoke-tight sliding doors.

Fitting data

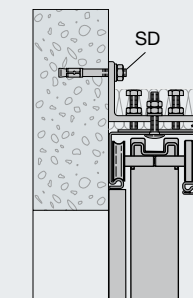
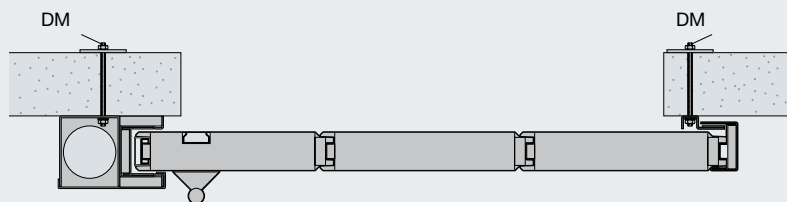
Brickwork walls



Concrete walls

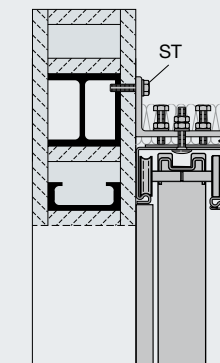
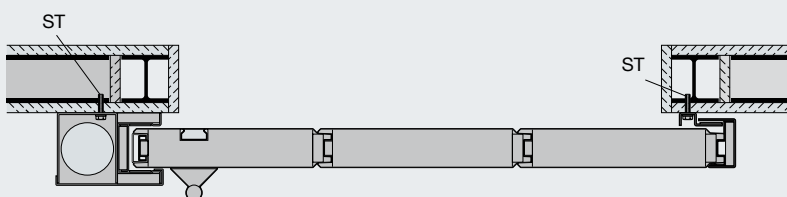


Gas concrete walls



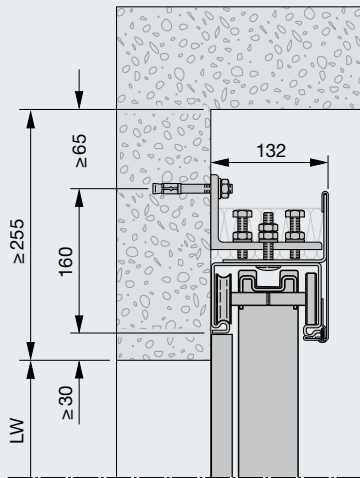
Only in combination with a steel concrete lintel according to the static proof. The lintel must extend beyond the door opening area in line with the door track length.

Cladded steel components

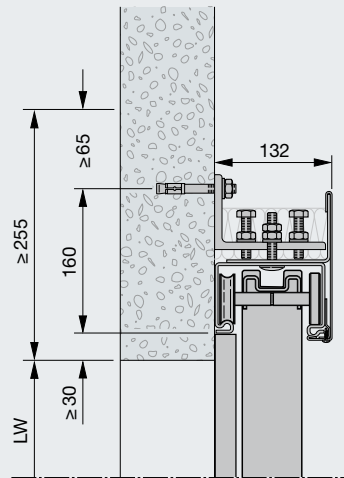


Clad steel supports and/or girders, minimum fire-resistance class F90, short designation F 90-A according to DIN 4102-4

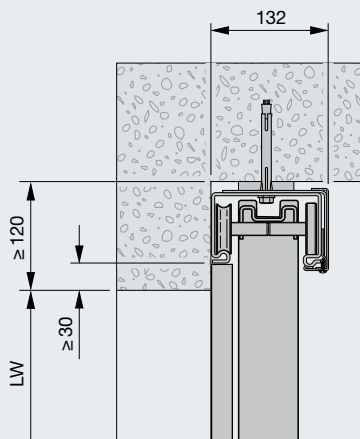
Wall fitting to the lintel



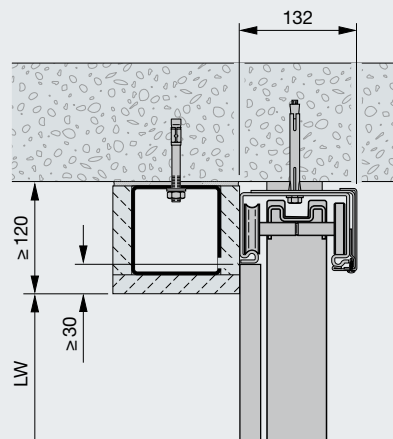
Fitting to the wall



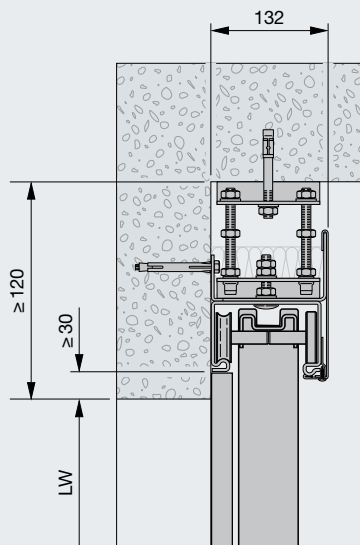
Direct fitting to the ceiling



Direct fitting to the ceiling with a false lintel



Ceiling suspension fitting (only for parking area)



Explanations

- LW Structural opening
- DM Through-bolt fixing with threaded rod M10 nut, pane and counterplate 80 × 80 × 5 mm
- SD Steel expansion dowels Ø 10 (M6) × ≥ 80
- ST M8 steel screw

Minimum wall thicknesses

Brickwork walls according to DIN 1053-1², strength class min. 12, normal mortar ≥ II: 175 mm
 Concrete walls according to DIN 1045-1, strength class min. C 12/15: 140 mm
 Walls made of gas concrete stone slabs or concrete precision blocks according to DIN 4165⁴ part 3, strength class 4: 240 mm
 Walls made of reinforced gas concrete slabs, laid flat or standing, having general official approval, strength class 4.4: 200 mm

Note

The construction tolerances to be complied with depend on the requirements provided in the official approval of the fire and smoke-tight sliding doors.

Hörmann product range

Everything from a single source for your construction project

1 Sectional doors

These space-saving door systems can be adapted to different industrial facilities using various track applications. Hörmann offers you tailored solutions for every application.

2 Rolling shutters and rolling grilles

Thanks to a simple construction with just a few components, rolling shutters are both economical and sturdy. Hörmann supplies rolling shutters in widths and heights of up to 11.75 m and 9 m respectively, or as special doors which are even larger.

3 High-speed doors

Hörmann high-speed doors are used both inside and as exterior doors to optimise the flow of traffic, improve room conditions and save energy. The Hörmann programme includes vertically and horizontally opening transparent doors with flexible curtains.

4 Loading technology

Hörmann offers you complete loading systems for the logistics sector. The advantages: reliable planning, dependable execution of construction work and high functionality thanks to precisely matched components.

5 Fire sliding doors

Hörmann can provide you with single or double-leaf sliding door solutions suitable for all areas and required fire protection classes.

6 Multi-function doors and reinforced internal doors

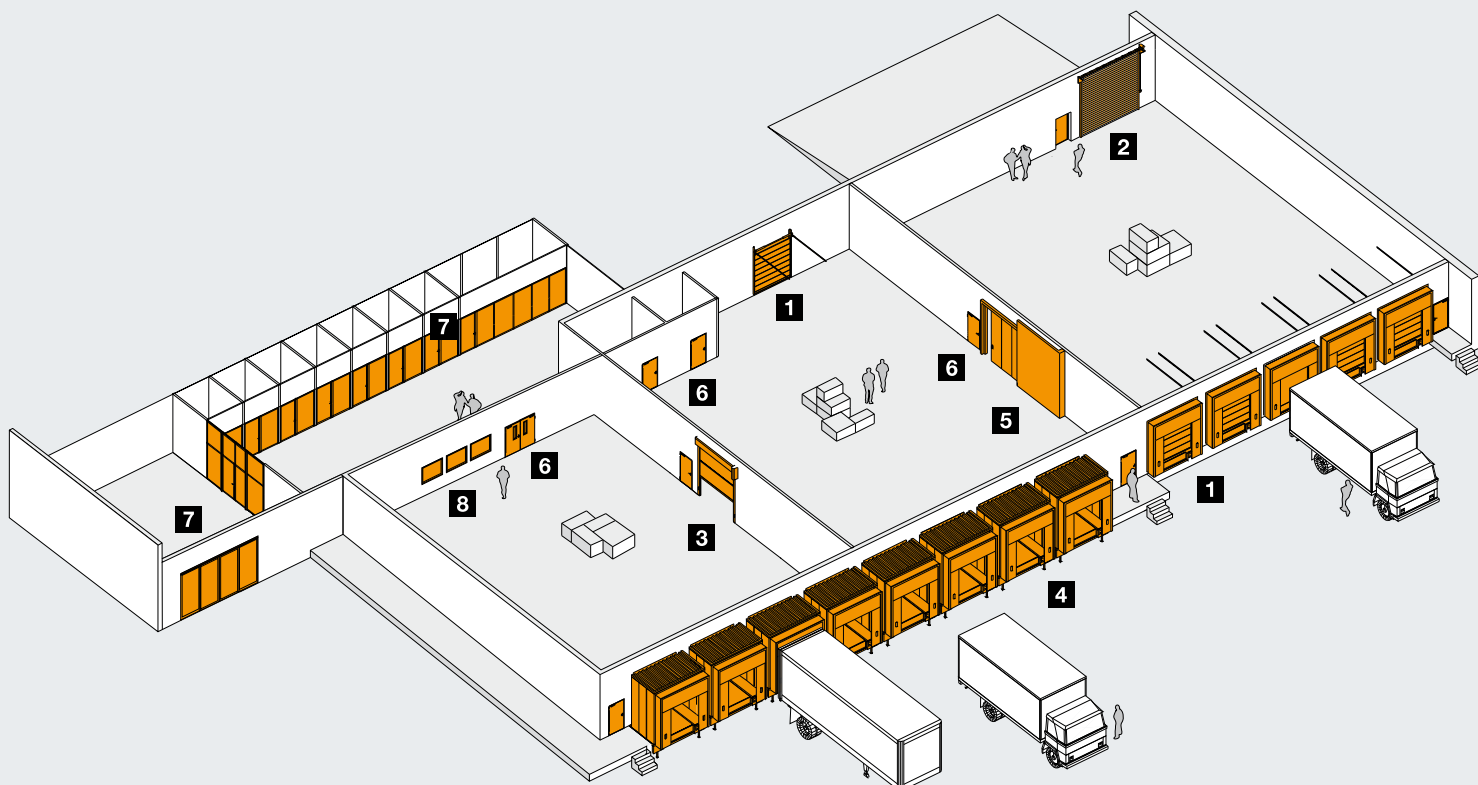
Hörmann multi-function doors and reinforced internal doors are suitable for indoor and outdoor use. Our single and double-leaf doors can be used wherever robust door elements are required. With numerous additional functions, such as fire and smoke protection, acoustic insulation or burglar protection.

7 Box frame parts

For areas in which appearance is important, such as administrative buildings, Hörmann offers you fire and smoke protection doors as well as steel and aluminium fixed glazing and automatic sliding doors, also suited for special fire protection requirements.

8 Visibility windows

Hörmann visibility glazings are used as windows or room-high elements to provide more light and better visibility.





**Quick service with testing,
maintenance and repairs**
Our extensive service network
means that we are always nearby
and at your service around the clock.



Hörmann: Quality without Compromise



Hörmann KG Amshausen, Germany



Hörmann KG Antriebstechnik, Germany



Hörmann KG Brandis, Germany



Hörmann KG Brockhagen, Germany



Hörmann KG Dissen, Germany



Hörmann KG Eckelhausen, Germany



Hörmann KG Freisen, Germany



Hörmann KG Ichtshausen, Germany



Hörmann KG Werne, Germany



Hörmann Genk NV, Belgium



Hörmann Alkmaar B.V., Netherlands



Hörmann Legnica Sp. z o.o., Poland



Hörmann Beijing, China



Hörmann Tianjin, China



Hörmann LLC, Montgomery IL, USA



Hörmann Flexon, Leetsdale PA, USA

Hörmann is the only manufacturer worldwide that offers you a complete range of all major building products from one source. We manufacture in highly-specialised factories using the latest production technologies. The close-meshed network of sales and service companies throughout Europe, and activities in the USA and China, make Hörmann your strong partner for first-class building products, offering “Quality without Compromise”.

GARAGE DOORS
OPERATORS
INDUSTRIAL DOORS
LOADING EQUIPMENT
HINGED DOORS
DOOR FRAMES

