



The L Series is ideal for ultra low-pressure applications.

COMPANY: Merit Sensor is a leader in piezoresistive pressure sensing. We partner with clients to create high performing solutions for a variety of applications and industries.

SENTIUM: Merit Sensor products incorporate a proprietary Sentium® technology, developed to provide a best-in-class operating temperature range (-40°C to 150°C) and superior stability.

TECHNOLOGY: Merit Sensor utilizes a piezoresistive Wheatstone bridge in a design that anodically bonds glass to a chemically etched silicon diaphragm. All products are RoHS compliant.

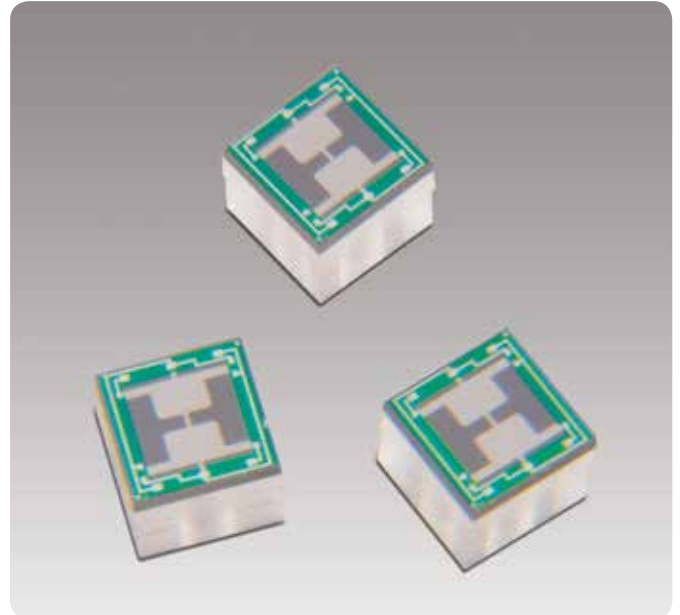
CAPABILITIES: Merit Sensor designs, engineers, fabricates, dices, assembles, and tests products from a state-of-the-art facility near Salt Lake City, Utah.

FEATURES

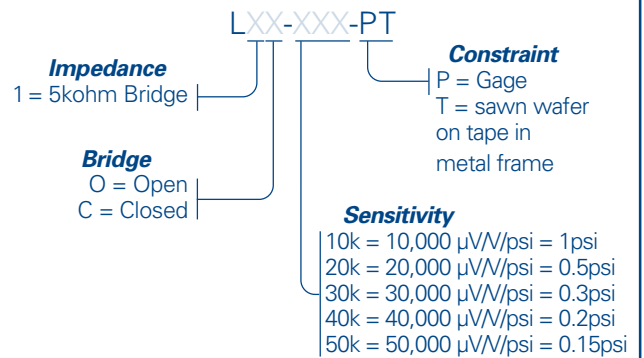
Pressure Range	0.15 to 1 psi (1 to 6.89 kPa 10 to 68.95 mbar)
Size	3.3 mm x 3.3 mm
Temperature	Wide operating temperature range (up to 150°C)
Type	Gage and differential
Media	Clean, dry air and non-corrosive gases
Shipping	Wafers on tape, waffle pack
Flexibility	Sensitivity, resistance, bridge, etc.

BENEFITS

Performance	Enjoy best-in-class performance due to Merit's proprietary Sentium technology
Cost	Save money over time with high-performing die
Security	Feel confident doing business with an experienced company backed by a solid parent company (NASDAQ: MMSI)
Speed	Get to market quickly with creative and flexible solutions
Service	Experience prompt, personal, and professional support



L Series Part Number Configurator



Example: L10-20K-PT offers 5kohm Impedance, Open Bridge, 20,000 $\mu\text{V/V/psi}$ and Gage Constraint

L Series Standard Part Numbers

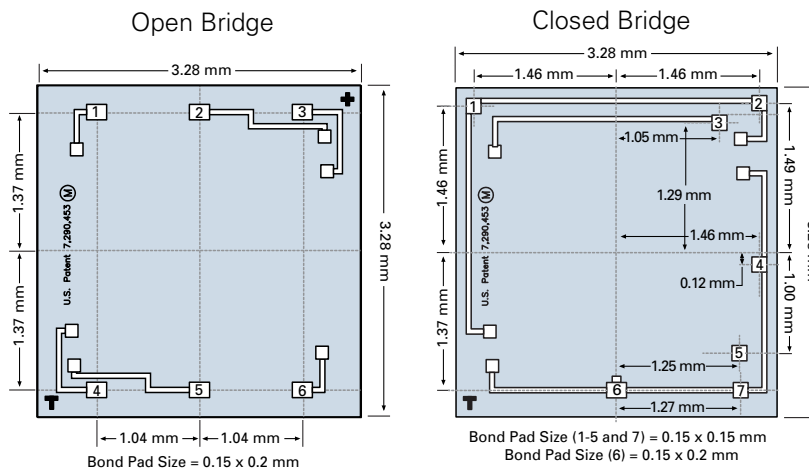
L10-10K-PT	L10-30K-PT
L10-20K-PT	L10-40K-PT
	L10-50K-PT

U.S. Patent Number 7,290,453

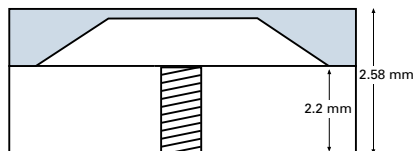
SPECIFICATIONS

Parameter	Minimum	Typical	Maximum	Units	Notes
Electrical & Environmental					
Excitation (I _n)		5	15	V	Maximum: 3 mA
Impedance	4000	5000	6000	Ω	
Operating Temperature	-40		150	°C	Sentium® technology
Storage Temperature	-55		160	°C	
Performance					
Offset	-10	0	10	mV/V	Zero Pressure; gage only; @25°C
Non-linearity	-0.25	0	0.25	% FSO	Best Fit Straight Line; @25°C
Pressure Hysteresis	-0.1	0	0.1	% FSO	@25°C
Temp Coeff – Zero	-20	0	20	μV/V/°C	-25°C to 75°C
Temp Coeff – Resistance	2000	2500	3000	PPM/°C	-25°C to 75°C
Temp Coeff – Sensitivity (0.15psi)	-2500	-3000	-3500	PPM/°C	-25°C to 75°C
Temp Coeff – Sensitivity (0.2psi – 1psi)	-2000	-2500	-3000	PPM/°C	-25°C to 75°C
Long-Term Stability	-0.25	0	0.25	% FSO	@125°C
Proof Pressure	5X				Full scale pressure
Burst Pressure			10psi		
Full-Scale Output (@ 5 volts excitation)					
1 psi (69 mbar; 6.9 kPa)	40	50	60	mV	Additional outputs available on request
0.5 psi (34 mbar; 3.4 kPa)	40	50	60	mV	
0.3 psi (21 mbar; 2.1 kPa)	36	45	54	mV	
0.2 psi (14 mbar; 1.4 kPa)	32	40	48	mV	
0.15 psi (10 mbar; 1 kPa)	30	37.5	45	mV	

DIMENSIONS (millimeters, post-cut)

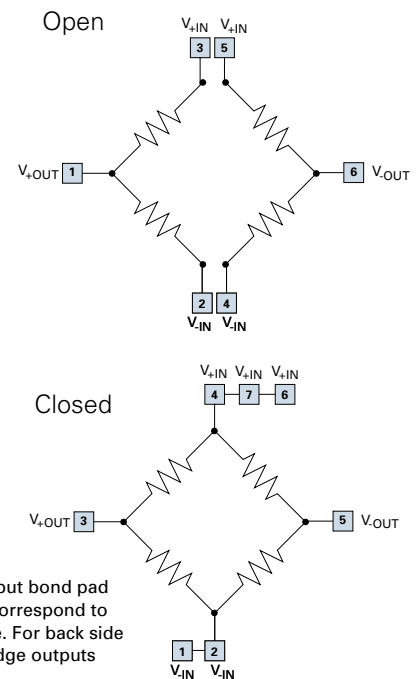


Standard Bond Pad Metallization = Aluminum



Other constraints available

ELECTRICAL



Note: Bridge output bond pad (V_{-out} and V_{+out}) correspond to top side pressure. For back side pressure, the bridge outputs are reversed.