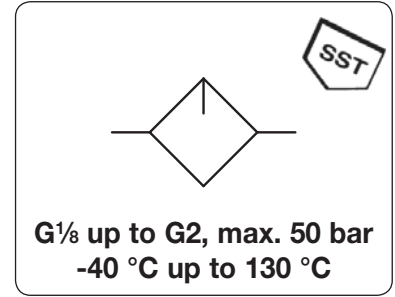


Lubricator Made of Stainless Steel Throughout, up to 50 bar

L3000

Description	Lubricator for compressed air with bowl without sight glass, extremely robust, with manual adjustment of oil drip rate.
Bowl	stainless steel version without sight glass
Operating pressure	max. 50 bar
Temperature range	0 °C to 80 °C / 32 °F to 176 °F for NBR/Buna-N, 0 °C to 130 °C / 32 °F to 266 °F for high temperature version for appropriately conditioned air down to -20 °C / -4 °F, or low temperature version down to -40°C / -40 °F
Material	Body: stainless steel 316L, material no. 1.4404 Bowl: stainless steel 316L, material no. 1.4404 Elastomer: FKM Inner valve: stainless steel 316L, material no. 1.4404



Dimensions			Bowl capacity l	Flow rate		Operating pressure max. bar	Connection thread G	Order number
A	B	C		m³/h*1	l/min*1			

Lubricator			operating pressure max. 50 bar					L3000	
40	124	80	0.04	45	750	50	G1/8	L3000-01	
64	173	129	0.15	54	900	50	G1/4	L3000-02	
				60	1000		G3/8	L3000-03	
79	175	130	0.21	144	2400	50	G1/2	L3000-04	
				150	2500		G3/4	L3000-A6	
89	206	168	0.58	480	8000	50	G3/4	L3000-06	
				492	8200		G1	L3000-08	
168	279	224	1.50	720	12000	50	G1 1/2	L3000-12	
				780	13000		G2	L3000-16	



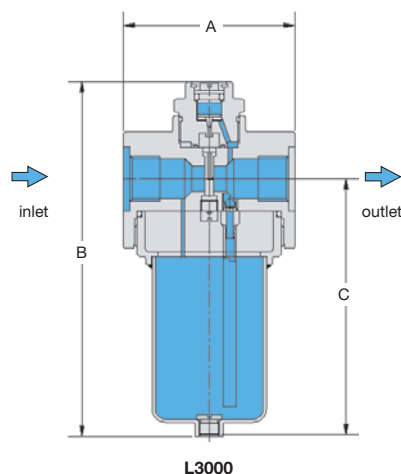
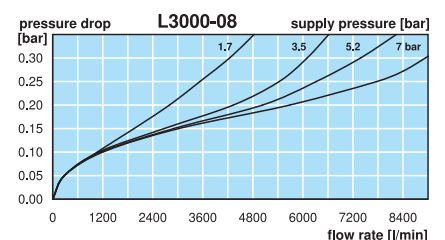
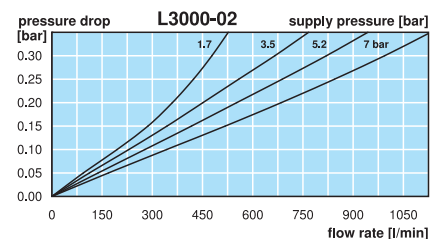
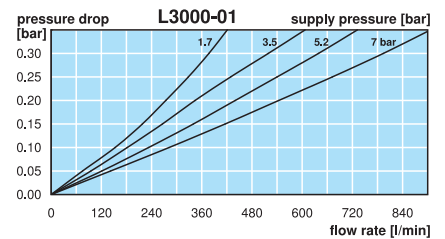
L3000-01



L3000-02

Special options, add the appropriate letter

NPT	connection thread	L3000-.. N
up to -40 °C / -40 °F	low temperature version	L3000-.. X51
up to 130 °C / 266 °F	high temperature version	L3000-.. X54
flange connection	see end of the chapter / flanges	L3000-.. F.



*1 at 7 bar operating pressure and 0.33 bar pressure drop

Extensions: see chapter for FRL service units

PDF CAD
www.aircom.net

Order example:
L3000-01