

## EASYPRO SMART water sampling station for swimming pools



### Reliable and individual

The **EASYPRO SMART** is the successor to the popular EASYPOOL SMART series. Available in two simple pre-configured versions, the water sampling station comes almost ready-to-use.

The system serves the monitoring and control of various water parameters in your swimming pool. The **TOPAX<sup>®</sup> MC** multi-channel controller installed\* in the **EASYPRO SMART** subjects the water parameters to constant measurement, keeping them within the target range. It works directly in conjunction with the peristaltic pumps installed in the water sampling station. Additional actuators can be actuated.

Automatic continuous recording of the water parameters and depiction of their development permit simple diagnosis.

\* Our standard versions are delivered with the **TOPAX<sup>®</sup> MC** multi-channel controller. Use the match code ordering system to order the **EASYPRO** water sampling stations without the **TOPAX<sup>®</sup> MC**.

### General

- Monitoring and control of various water parameters
- Continual recording of the water parameters
- Compact design
- Including **TOPAX<sup>®</sup> MC** multi-channel controller
- Individually-configurable system through modular structure
- Low water consumption
- Connector system for water connections

## Technical data

EASYPRO SMART			CP	RP	CPL
Sample water requirement		l/h	45 approx.		
Sample water inflow and discharge		mm	Stop valve with hose clamp connector 6/8		
Pressure resistance		bar	max. 3		
Pressure loss in the water sampling station		bar	0.3 approx.		
Voltage supply			100 – 240 V AC, 50/60 Hz		
Power consumption		W	max. 30		
Analogue outputs for remote transmission			4 x 0/4 – 20 mA, working resistance max. 500 Ω		
Disturbance variable input		mA	0/4 – 20		
Interfaces			Ethernet TCP/IP or RS485 Modbus RTU (optional)		
Protection class			IP65 (electronic controller)		
Ambient temperature		°C	-5 to +45 (no exposure to direct sunlight)		
Control characteristic			P, PI, PID or PD behaviour, control direction selectable with disturbance variable feed forward, 2-side control selectable		
<b>Measuring inputs (depending on version)</b>					
Number of measuring inputs			2 <sup>a</sup>		3 <sup>b</sup>
Free chlorine	CS120 excess chlorine measuring cell	mg/l	0 – 15 <sup>c</sup>	-	0 – 10 <sup>c</sup>
pH value	pH single-rod measuring cell	pH	2 – 12 <sup>d</sup> or 0 – 14 <sup>d</sup>		
Redox value	Redox single-rod measuring cell	mV	-	-1000 – 1000	-
Conductivity conductive	Conductivity measuring (k=1)	mS/cm	-		0 – 2 <sup>e</sup> , 0 – 20 <sup>e</sup> or 0 – 100 <sup>e</sup>
Temperature	Pt100	°C	5 – 45		
<b>Output modules (depending on version)</b>					
Number of output modules			up to 4		
Servomotor relay			2 x 230 V AC, 5 A (ohmic load)		
		kΩ	Potentiometer feedback: 1 – 10		
Servomotor 20 mA			Constant 0/4 – 20 mA output		
			Servomotor with 20 mA feedback		
Relays			2 x 230 V AC, 5 A (ohmic load)		
Optocoupler			2 x 80 V DC, 5 mA		
Digital universal			selectable: 2 x 230 V AC, 5 A (ohmic load) relays or 2 x 80 V DC, 5 mA optocouplers		

<sup>a)</sup> A temperature sensor can also be connected.

<sup>b)</sup> Additionally, up to two temperature sensors can be connected.

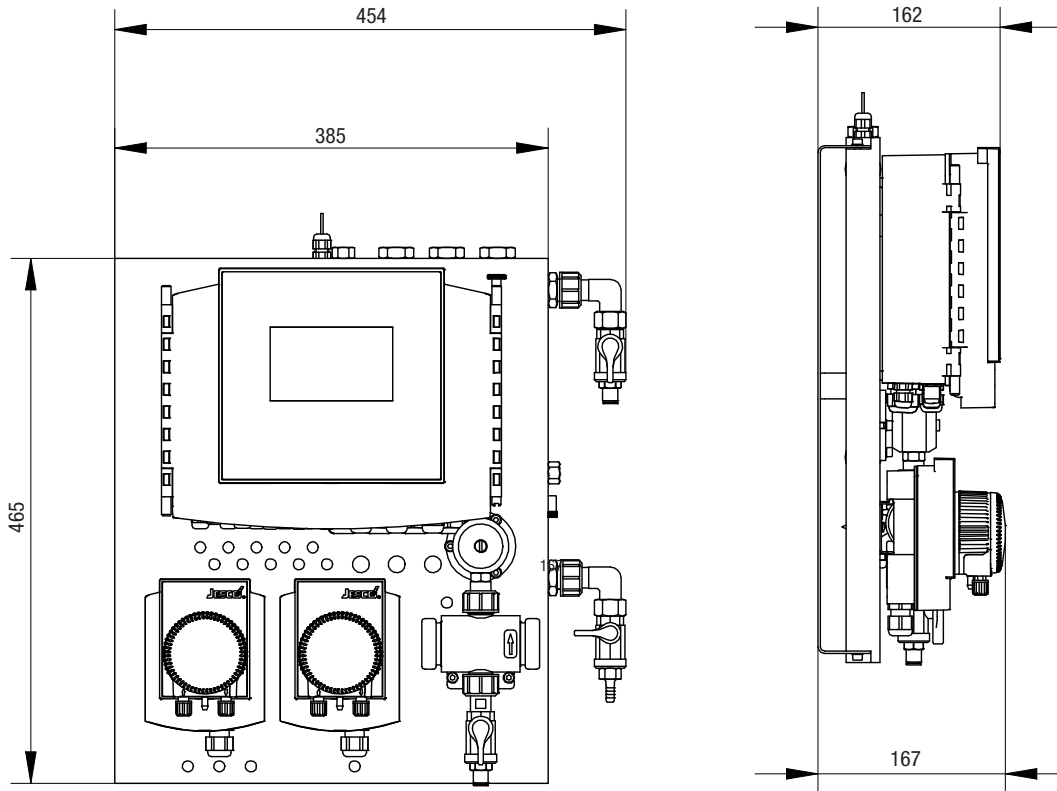
<sup>c)</sup> Dependant on the measuring cell transconductance.

<sup>d)</sup> Dependant on the single-rod measuring cell.

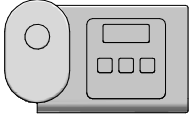
<sup>e)</sup> Dependant on the configuration, corresponds to approx. 0 – 1 % or 0 – 5 % salt content.

## Dimensions

All dimensions in mm



## Accessories



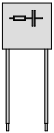
### Photometer

- Internal memory for 16 data sets
- Automatic switch off
- Real-time clock and date
- Adjustable functional display
- Illuminated display
- Water-tight (analogue IP68, 1 hour at 0.1 metre)



### Buffer solutions

- pH value: pH 6.80 and 9.27
- Redox value: 468 mV
- Conductivity: 12.88 mS/cm and 50 mS/cm



### Switching device suppression module

- -20 to +70 °C
- 22 × 27 × 11 mm
- 50 W (VA)



### Visualisation Software TopView 4

- Visualisation and monitoring of the EASYPRO SMART water sampling station
- Retrieval and display of data from the browser for up to 10 users with user-specific view configurations
- Pre-installed TopView license and operating system on an energy-saving microcomputer
- Connection to controller via Modbus TCP network
- Simple configuration and remote access via LAN/WLAN
- Secure connection through VPN and https
- Archiving of all alarms issued and all measured values
- Automatic daily log
- Operating log (optional)