
HRL Series Load cell

FEATURES

- Monitors anchor forces and other force measurements
- Range: 600 – 2'700 kN
- Admissible overload: 120% of the nominal load
- maximum load: 300% of the nominal load
- Suitable for heavy-duty use on construction sites
- Special sizes available upon request
- Easy to assemble
- Stainless steel

DESCRIPTION

HRL Series load cells consist of a high quality stainless steel. This compact load cell is designed specifically for heavy duty use on construction sites, with load cells that are available in the range of 600 to 2,700 kN. Special designs are available upon request.

The attached shielded cable has a length of 15 m and includes a water-proof connector.

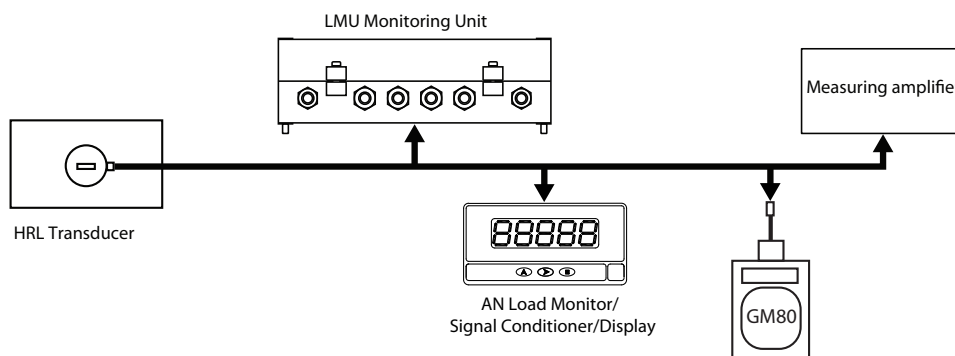
The data collected from the strain gauge is proportional to the applied force. The signal is transmitted to the monitoring unit for amplification.



APPLICATION

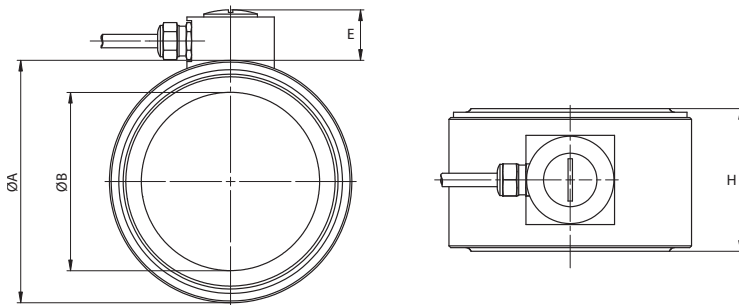
The Magtrol HRL Series load cells can be used to monitor anchor forces in classical and prestressed structures on sites (civil engineering, tunnels...) as well as a range of other static or dynamic measurements.

SYSTEM CONFIGURATION

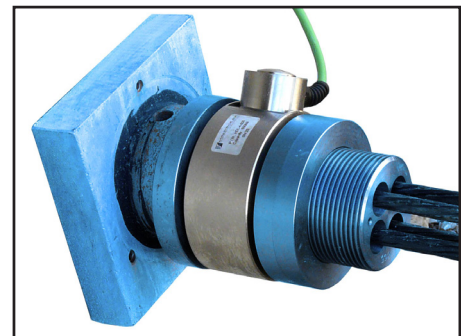


TECHNICAL RATINGS

Transducer Type	HRL 4	HRL 7	HRL 12	HRL 19
MECHANICAL CHARACTERISTICS				
Nominal Load	600 kN	1000 kN	1700 kN	2700 kN
Admissible Overload	120%			
Overload at Rupture	> 300%			
Accuracy Class	2%			
Weight	4.5 kg	6.3 kg	9.5 kg	15 kg
ELECTRICAL CHARACTERISTICS				
Nominal Sensitivity	1.5 mV/V \pm 1 %			
Input Resistance	700 -1100 Ω			
Output Resistance	700 Ω			
Nominal Supply Voltage of Strain Bridge	5V to 10V			
Combined Error (Non-linearity + Hysteresis)	2%			
ENVIRONMENTAL CHARACTERISTICS				
Reference Temperature	+23°C			
Operating Temperature	-25°C to +70°C			
Storage Temperature	-40°C to +80°C			
Temperature Influence: On Zero	$\leq \pm 0.01$ %/K			
Temperature Influence: On Sensitivity	$\leq \pm 0.01$ %/K			
Protection Class	IP66			
CONNECTION CABLE				
Cable Length	15 m			

DIMENSIONS


TYPE/DIMENSIONS (mm)	ØA	ØB	E	H
HRL 4	136	100	28	80
HRL 7	164	125	29	100
HRL 12	206	160	29	128
HRL 19	242	190	29	130

ASSEMBLY EXAMPLE


Due to the continual development of our products, we reserve the right to modify specifications without forewarning.


www.magtrol.com
MAGTROL INC

70 Gardenville Parkway
 Buffalo, New York 14224 USA
 Phone: +1 716 668 5555
 Fax: +1 716 668 8705
 E-mail: magtrol@magtrol.com

MAGTROL SA

Route de Montena 77
 1728 Rossens/Fribourg, Switzerland
 Phone: +41 (0)26 407 3000
 Fax: +41 (0)26 407 3001
 E-mail: magtrol@magtrol.ch

Subsidiaries in:

Germany • France
 China • India

Worldwide Network
 of Sales Agents

