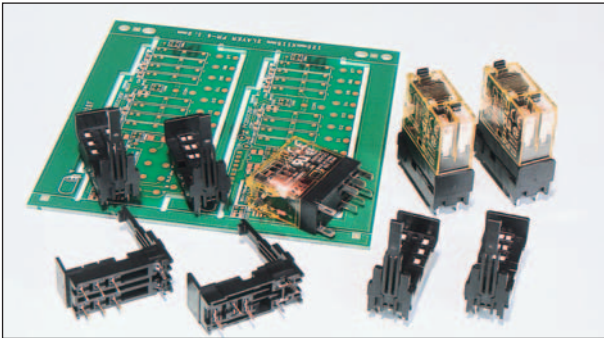


# SJ Series PC Board Mount Sockets

PC board mount sockets for plug-in RJ series slim power relays.

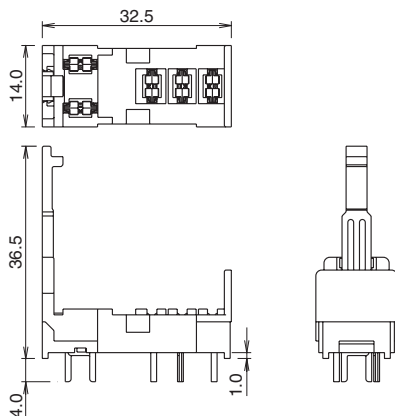


- Suitable for RJ series plug-in terminal relays.
- High current rating
- SJ1S (1 pole): 12A  
SJ2S (2 poles): 8A
- Socket latch makes it easy to install/remove relays.
- RoHS directive compliant (EU directive 2002/95/EC)  
Contains no lead, cadmium, mercury, hexavalent chromium, PBB, or PBDE.

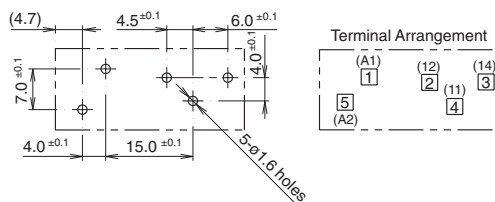
Applicable Standard	Marking	Certification Organization / File No.
UL508		UL File No. E62437
CSA C22.2 No. 14		CSA File No. LR84913
EN 60664-1		EC Low Voltage Directive

## Dimensions

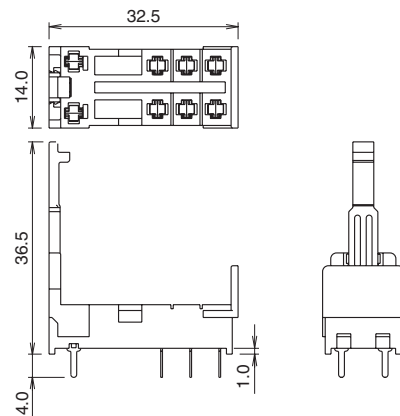
### • SJ1S-61



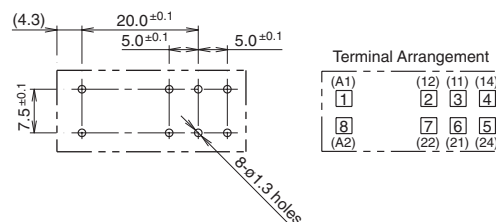
### Mounting Hole Layout (Bottom View)



### • SJ2S-61



### Mounting Hole Layout (Bottom View)



All dimensions in mm.



## Types

No. of Poles	Type No.	Ordering Type No.	Package Quantity
1	SJ1S-61	SJ1S-61PN10	10
2	SJ2S-61	SJ2S-61PN10	10

## Specifications

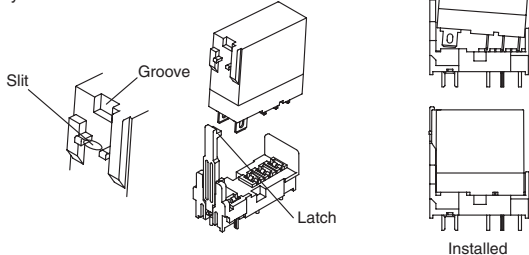
Type	SJ1S-61	SJ2S-61
Rated Current	12A	8A
Rated Voltage	250V AC/DC	
Insulation Resistance	100 MΩ minimum (500V DC megger)	
Dielectric Strength	Between coil and contact: 5000V, 1 minute	
	Between terminals of the same pole: 1000V, 1 minute	
	Between terminals of different poles: 3000V, 1 minute (SJ2S only)	
Vibration Resistance	Damage limits: 90 m/s <sup>2</sup>	
	Resonance: Frequency 10 to 55 Hz Amplitude 0.75 mm	
Shock Resistance	Damage limits: 1000 m/s <sup>2</sup> (100G)	
Operating Temperature	-40 to +70°C (no freezing)	
Operating Humidity	5 to 85% RH (no condensation)	
Weight (approx.)	4.2g	4.5g

# SJ Series PC Board Mount Sockets

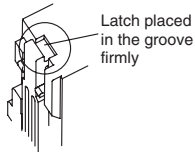
## Operating Instructions

### • Installing Relays

Tilt the relay slightly as shown on the right, slide the latch along the slit, and press the relay into the socket firmly.



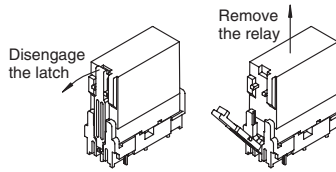
Installation is complete when the latch is placed in the groove on the relay.



The hook is movable and rests at the halfway point. After installing the relay, place the latch into the groove on the relay.

### • Removing Relays

Disengage the latch as shown below and remove the relay from the socket.



The relay can also be removed by using relay removal tool MT-101.

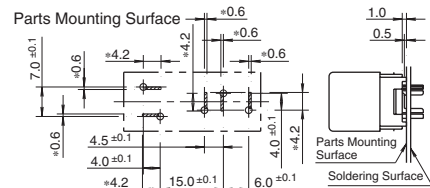
Name & Appearance	Ordering Type No.
60	MT-101

### • Soldering

When soldering the socket terminals, use a soldering iron of 60W (at 350°C) and quickly complete soldering within approximately 3 seconds.

### • Pattern Design of PC Board

For SJ1S-61, pay attention to metal parts other than the soldering pins which are exposed on the mounting surface (marked with \*).



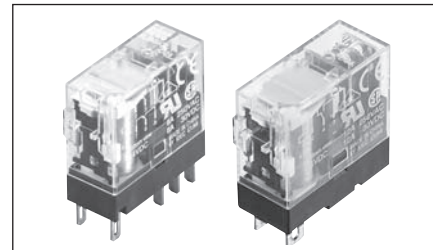
All dimensions in mm.

## RJ Series Slim Power Relay Plug-in Terminal Type

Compact housing, large switching capacity  
RJ series slim power relays are suitable to various applications such as control panels and machine tools.



RoHS compliant



## Types

### • Plug-in Terminal Type

Applicable Socket	SJ1S-61				SJ2S-61			
	1 pole (SPDT)		2 poles (DPDT)		2 poles (DPDT)			
Type	Ordering Type No.	Coil Voltage Code		Ordering Type No.	Coil Voltage Code			
Standard Type (with LED indicator)	RJ1S-CL-*	A12 A24 A110 A115	D5 D6 D12	RJ2S-CL-*	A12 A24 A110 A115	D5 D6 D12		
Simple Type (without LED indicator)	RJ1S-C-*	A220 A230 A240	D24 D48 D100	RJ2S-C-*	A220 A230 A240	D24 D48 D100		
With diode (with LED indicator)	RJ1S-CLD-*			RJ2S-CLD-*				
With diode (without LED indicator)	RJ1S-CD-*			RJ2S-CD-*				
With diode (with LED indicator) Reverse polarity coil	RJ1S-CLD1-*	D5, D6, D12, D24, D48, D100		RJ2S-CLD1-*	D5, D6, D12, D24, D48, D100			
With diode (without LED indicator) Reverse polarity coil	RJ1S-CD1-*			RJ2S-CD1-*				
With RC (with LED indicator)	RJ1S-CLR-*	A12, A24, A110, A115, A220, A230, A240		RJ2S-CLR-*	A12, A24, A110, A115, A220, A230, A240			
With RC (without LED indicator)	RJ1S-CR-*			RJ2S-CR-*				

### • Coil Voltage

Code	Rated Coil Voltage
A12	12V AC
A24	24V AC
A110	110V AC
A115	115V AC
A120	120V AC
A220	220V AC
A230	230V AC
A240	240V AC
D5	5V DC
D6	6V DC
D12	12V DC
D24	24V DC
D48	48V DC
D100	100 to 110V DC

Specifications and other descriptions are subject to change without notice.



## IDEC CORPORATION

7-31, Nishi-Miyahara 1-Chome, Yodogawa-ku, Osaka 532-8550, Japan  
Tel: +81-6-6398-2571, Fax: +81-6-6392-9731  
E-mail: products@idec.co.jp

**IDEC CORPORATION (USA)**  
1175 Elko Drive, Sunnyvale, CA 94089-2209, USA  
Tel: +1-408-747-0550 / (800) 262-IDEC (4332)  
Fax: +1-408-744-9055 / (800) 635-6246  
E-mail: opencontact@idec.com

**IDEC CANADA LIMITED**  
Unit 22-151, Brunel Road, Mississauga, Ontario, L4Z 1X3, Canada  
Tel: +1-905-890-8561, Toll Free: (888) 317-4332  
Fax: +1-905-890-8562  
E-mail: sales@ca.idec.com

**IDEC AUSTRALIA PTY. LTD.**  
2/3 Macro Court, Rowville, Victoria 3178, Australia  
Tel: +61-3-9763-3244, Toll Free: 1800-68-4332  
Fax: +61-3-9763-3255  
E-mail: sales@au.idec.com

**IDEC ELECTRONICS LIMITED**  
Unit 2, Beechwood, Chineham Business Park, Basingstoke, Hampshire RG24 8WA, UK  
Tel: +44-1256-321000, Fax: +44-1256-327755  
E-mail: sales@uk.idec.com

**IDEC ELEKTROTECHNIK GmbH**  
Wendenstrasse 331, 20537 Hamburg, Germany  
Tel: +49-40-25 30 54 - 0, Fax: +49-40-25 30 54 - 24  
E-mail: service@idec.de

**IDEC (SHANGHAI) CORPORATION**  
Room 608-609, 6F, Gangtai Plaza, No. 700, Yan'an East Road, Shanghai 200001, PRC  
Tel: +86-21-5353-1000, Fax: +86-21-5353-1263  
E-mail: idec@cn.idec.com

**IDEC (BEIJING) CORPORATION**  
Room 211B, Tower B, The Grand Pacific Building, 8A Guanghua Road, Chaoyang District, Beijing 100026, PRC  
Tel: +86-10-6581-6131, Fax: +86-10-6581-5119

**IDEC (SHENZHEN) CORPORATION**  
Unit AB-3B2, Tian Xiang Building, Tian'an Cyber Park, Fu Tian District, Shenzhen, Guang Dong 518040, PRC  
Tel: +86-755-8356-2977, Fax: +86-755-8356-2944

**IDEC IZUMI (H.K.) CO., LTD.**  
Unit 1505-07, DCH Commercial Centre No. 25, Westlands Road, Quarry Bay, Hong Kong  
Tel: +852-2803-8989, Fax: +852-2565-0171  
E-mail: info@hk.idec.com

**IDEC TAIWAN CORPORATION**  
8F-1, No. 79, Hsin Tai Wu Road, Sec. 1, Hsi-Chih, Taipei County, Taiwan  
Tel: +886-2-2698-3929, Fax: +886-2-2698-3931  
E-mail: service@tw.idec.com

**IDEC IZUMI ASIA PTE. LTD.**  
No. 31, Tannery Lane #05-01, HB Centre 2, Singapore 347788  
Tel: +65-6746-1155, Fax: +65-6844-5995  
E-mail: info@sg.idec.com