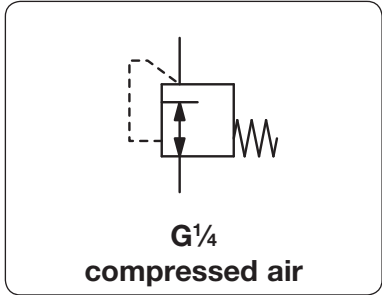


Description	Cartridge pressure regulator suitable for assembly block.		
Media	compressed air or non-corrosive gases		
Supply pressure	max. 12 bar		
Adjustment	Select the pressure regulator according to the desired outlet pressure. The outlet pressure cannot be subsequently adjusted. This safeguards against tampering.		
Relieving function	non-relieving		
Temperature range	-20 °C to 60 °C / -4 °F to 140 °F		
Material	Body: brass Elastomer: NBR/Buna-N	Piston: brass Filter: stainless steel	



Dimensions		Flow rate l/min*1	Supply pressure max. bar	Connection thread G	Outlet pressure bar	Order number
A mm	A/F mm					

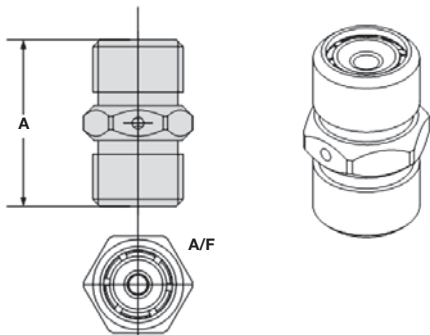
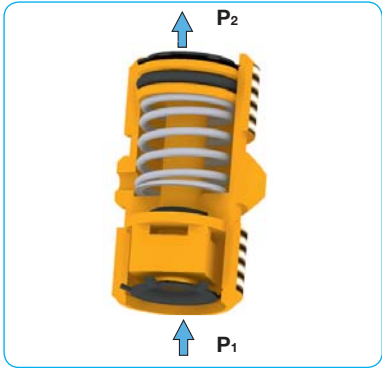
Factory-set outlet pressure				supply pressure max. 12 bar non-relieving	Connection thread	Outlet pressure	Type 233
24	14	400	12	G1/4	2	233G0220	
					4	233G0240	
					6	233G0260	



233

Special options, add the appropriate letter

NPT	connection thread	233GX2.0
------------	--------------------------	-----------------



233

