

Multi-Jet semi-dry type cold water meter improved by Teksan experience



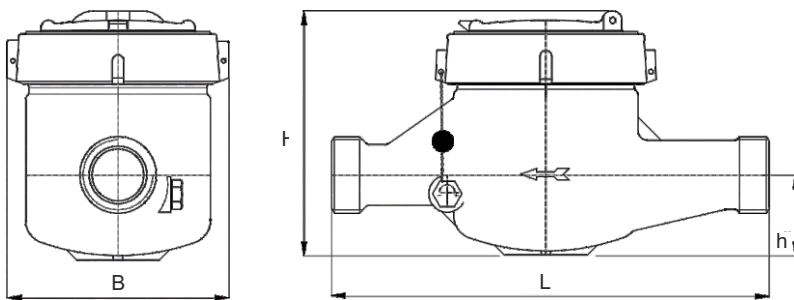
- Multi-jet semi-dry type
- 360°C rotatable cover.
- Display on 5 drums for m<sup>3</sup> and 4 pointers for litres
- Optional check valve
- Measuring range up to R160
- Optional pulse, M-bus, Radio frequency output
- Forged brass housing
- Water temperature up to 50°C
- Glycerin filled register unit



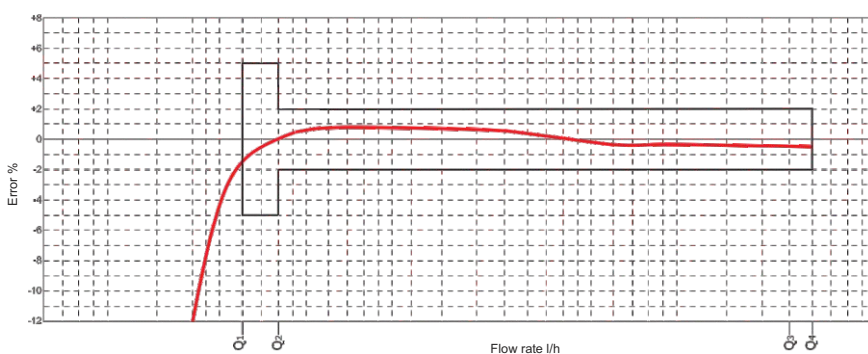
## Technical Specifications

Nominal diameter	<b>DN</b>	<b>mm</b>	<b>20</b>
Nominal flow rate	Q <sub>3</sub>	m <sup>3</sup> /h	2,5
Maximum flow rate	Q <sub>4</sub>	m <sup>3</sup> /h	3,125
Minimum flow rate	Q <sub>1</sub>	l/h	31,2/25/15,6
Transitional flow rate	Q <sub>2</sub>	l/h	50/40/25
Maximum working pressure	P <sub>max</sub>	bar	16
Pressure loss (max.Q3)	ΔP	bar	0,63
Maximum working temperature	T <sub>max</sub>	°C	50
Measuring range	Q <sub>3</sub> / Q <sub>1</sub>	R	80/100/160
Overall length	L	mm	190
Maximum register indication		m <sup>3</sup>	9.999
Verification scale interval		L	0,2
Width	B	mm	96
Total Height	H	mm	112
Height to pipe axis	h	mm	34
Connection thread of meter	-	-	G1B
Nominal size	DN	mm	20
Piping dimensions	-	-	G3/4B
Weight	-	kg	1,210
Installation position			H

## Dimensions



## Error Curve



## Pressure Loss

