

EW-K 225



short description

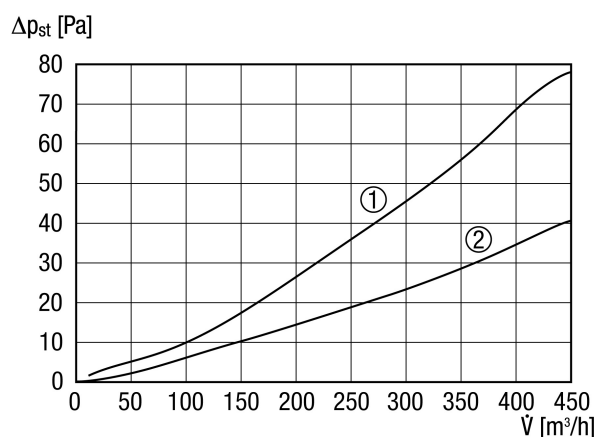
Brine-air heat exchanger for brine earth heat exchanger, DN 225.

Article number 0192.0520

Technical Data

Max. volumetric flow	450 m³/h
Type of filter	Dust filter
Filter class	G4
Brine connection nominal size	18 mm
Nominal size	224 mm
Thermal insulation	30 mm
Range	K
EAN	4012799925200

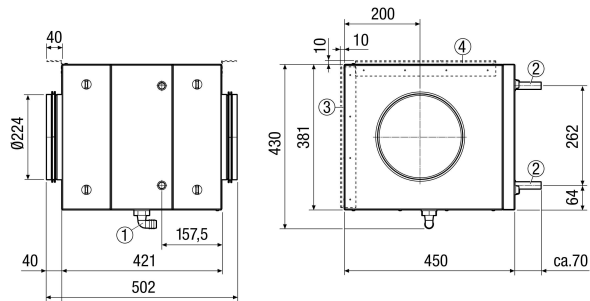
Characteristic curve



- ① With filter
- ② Without filter

EW-K 225

Dimensions [mm]



- ① Condensation drain, 3/4"
- ② Brine connection, Ø 18 mm
- ③ Wall mounting bracket
- ④ Ceiling mounting bracket