

# GMÖHLING

Product catalogue



# When quality is the deciding factor

„Made in Germany“ identifies Gmöhling as a medium-sized family business at our premises in Fürth, Germany. We have been developing and manufacturing our quality products exclusively in Germany for over 77 years. The name Gmöhling stands for quality and durability.

In 1948 Gmöhling designed and built the first foldable aluminium box worldwide for the Berlin Airlift.

Conception, development and production in Germany is still feasible today. We have highly qualified, internationally experienced employees, creative minds in our development and construction departments and optimally trained personnel in our manufacturing area.

We place a great deal of value in modern, economic production processes. Thanks to our many years of experience and proven innovations, we are recognised for the development and manufacture of high-quality aluminium products made to customer's requirements worldwide since 1941. It's not surprising that our share of exports is over 50 percent - even to countries known for low manufacturing costs.

## What you can expect from us:

- High degree of flexibility due to the traditional strengths of medium-sized companies
- Personal support by a contact partner assigned to you
- High level of knowledge of industry-specific requirements
- Short response times to special customer requirements
- Unbureaucratic, short-term application possibilities
- Manufacturing of small or large scale series
- Development of individual solutions





# Aluminium – perfect for all application areas

Light, robust, reliable.  
And recyclable.

Very light weight, but also long-lasting and shape-retaining, as well as weather- and corrosion-resistant – these are the properties that make aluminium an optimal material for transport, storage and logistics of all kinds. It is also perfectly recyclable and has a favourable effect on the energy footprint.

Gmöhling transport containers made of aluminium are resistant and easy to clean. This makes it ideal for all applications where demanding requirements with regard to hygiene, reliability and durability need to be met.

## Applications

- Logistics & intralogistics
- E-commerce
- Healthcare
- Data disposal
- Textile industry
- Laundry
- Pharmaceuticals & chemistry
- Industry
- Outdoor & leisure
- Packaging & more
- Film & theatre
- Valuable goods





**Why aluminium** Page 6

---

**Transport trolleys** Page 8

---

**Spring-loaded base trolleys** Page 22

---

**Cupboard trolleys** Page 32

---

**Modular cupboard trolleys** Page 44

---

**Shelf trolleys** Page 50

---

**Hazardous goods** Page 54

---

**Boxes** Page 58

---

**Roller boxes** Page 70

---

**Crates and baskets** Page 74

---

**Container dollies** Page 84

---

**Transport cases** Page 90

---

**Data disposal containers** Page 96

---

**Waste and recyclables collecting stations** Page 110

---

**Ballot boxes** Page 116

---

**Serving trolleys** Page 120



Lightweight and flexible



Electrically conductive



Stable, durable and dimensionally stable



Weatherproof and corrosion-resistant



Resistant to temperature fluctuations



Hygienic and odourless



Magnetically neutral



Easy recycling



The ideal material, very versatile

What do rubies, mobile phones and the moon have in common?

Aluminium, what else?



Atomic number: 13  
Symbol: Al  
Atomic mass: 26.981539  
Melting point: 660.37°C  
Boiling point: 2,470°C  
Specific gravity: 2.6989 (20°C)  
Value: 3  
First produced:  
1825 by the Danish scientist Hans Oersted

## The advantages of aluminium as a material

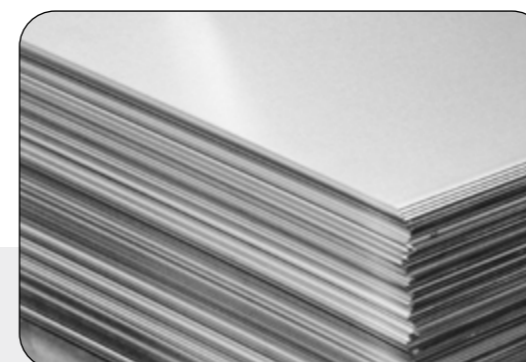
More and more uses for aluminium have arisen over the last few decades. And all of us benefit in many ways from the properties of the metal.

### Aluminium, the material that fascinates!

We are not just fascinated by the impressive appearance of this material, but rather by the physical and chemical properties of aluminium, the 13th element on our periodic table and one of the most common metals on Earth.

It is hard to imagine industry and households without aluminium products. Aluminium is indispensable, especially in the catering sector, the chemical and pharmaceutical industry, the aerospace sector and in service companies with high standards of hygiene, such as laundry facilities, hospitals and care homes. Aluminium containers are now standard in the logistics, transport and disposal sectors.

Since the company's early days, Gmöhling has chosen to use this brilliant material and manufactures aluminium containers in virtually all shapes and sizes for all industries on a daily basis.



## Maximum transport capacity

with a minimal net weight

The versatile Gmöhling transport trolleys are available in different sizes and versions. Standard versions include trolleys with smooth, ribbed, perforated and anodised walls.

An essential feature of our transport trolleys is the cut side wall and the fold down or slide down front panel for ergonomic loading and unloading.

We offer various wheel systems according to the load weight to guarantee easier handling.

We can also supply the trolley with an appropriate lid, or in your required size.

## Advantages of the G<sup>®</sup>-TRANS

- For universal use
- Hygienic, odourless and corrosion-resistant
- Robust and dimensionally stable with a low net weight
- Beading provides stability and rigidity
- Easy handling and ergonomic, even at maximum load
- Many versions with different load capacities
- Extremely stable design due to metal joints with the latest technologies
- Swivel castors with brakes in accordance with European standard EN 1757-3





## Transport trolley G<sup>®</sup>-TRANS D 3008

Material: aluminium



G<sup>®</sup>-TRANS  
D 3008/415 | Lid

- Smooth surface
- Closed trolley walls
- All-round, extremely stable rim profiles at the top and bottom ensure a durable trolley design
- Walls and aluminium profiles are interlocked by means of clinching, making them extremely stable
- Walls reinforced with all-round trapezoidal beading (rib)
- Stable undercarriage support made of galvanised steel
- Galvanised steel wheel housing, non-marking solid rubber wheels, roller bearings and threadguards
- Wheel arrangement B, D or A



G<sup>®</sup>-TRANS  
D 3008/235



Wheel arrangement B:  
2 swivel castors with  
brakes and 2 fixed  
castors



Wheel arrangement D:  
4 swivel castors,  
2 of which have  
brakes



Wheel arrangement A:  
2 swivel castors and  
2 fixed castors, arranged  
in a rhomboidal  
position

### ► Other versions

Model number	Wheel arrangement	Dimensions L x W x H (approx. mm)		Volume (approx. l)	Wheel (mm)	Load capacity (approx. kg)	Weight (approx. kg)	Order no.
		internal	external					
D 3008 / 235	B	700 x 550 x 580	730 x 580 x 740	223	100	200	16	020300801
D 3008 / 235 I lid	B	700 x 550 x 580	760 x 605 x 745	223	100	200	18.5	220300831
D 3008 / 235	D	700 x 550 x 580	730 x 580 x 740	223	100	200	16	020300802
D 3008 / 235 I lid	D	700 x 550 x 580	760 x 605 x 745	223	100	200	18.5	220300833
D 3008 / 240	B	700 x 575 x 570	730 x 605 x 730	229	100	200	16	020300803
D 3008 / 240 I lid	B	700 x 575 x 570	760 x 630 x 735	229	100	200	18.5	220300835
D 3008 / 330	B	960 x 550 x 610	990 x 580 x 770	322	100	200	18.5	020300804
D 3008 / 330 I lid	B	960 x 550 x 610	1020 x 605 x 775	322	100	200	22	220300837
D 3008 / 330	D	960 x 550 x 610	990 x 580 x 770	322	100	200	18.5	020300805
D 3008 / 330 I lid	D	960 x 550 x 610	1020 x 605 x 775	322	100	200	22	220300839
D 3008 / 415	A	1000 x 640 x 650	1030 x 670 x 845	415	125	150	22	020300806
D 3008 / 415 I lid	A	1000 x 640 x 650	1060 x 695 x 850	415	125	150	26	220300846
D 3008 / 415	B	1000 x 640 x 650	1030 x 670 x 835	415	125	250	22	020300807
D 3008 / 415 I lid	B	1000 x 640 x 650	1060 x 695 x 840	415	125	250	26	220300841
D 3008 / 430 P	B	1100 x 600 x 650	1130 x 630 x 835	430	125	200	20	020300812
D 3008 / 570	B	1250 x 650 x 685	1280 x 680 x 870	560	125	250	25	020300809
D 3008 / 570 I lid	B	1250 x 650 x 685	1310 x 705 x 875	560	125	250	31	220300843
D 3008 / 656	B	1250 x 700 x 750	1280 x 730 x 935	656	125	250	26.5	020300811
D 3008 / 656 I lid	B	1250 x 700 x 750	1310 x 755 x 940	656	125	250	32.5	220300845
Cylinder lock for toggle fastener								045031001



Model:

## Transport trolley G<sup>®</sup>-TRANS D 3008/240

- Structured, scratch-resistant surface

Model:

## Transport trolley G<sup>®</sup>-TRANS D 3008/430 P

- Perforated walls and base, 10 mm Ø hole, 22.5 x 22.5 mm hole spacing
- Stable undercarriage support made of aluminium



## Transport trolley G<sup>®</sup>-TRANS D 1008

Material: anodised aluminium

- Smooth and anodised surface
- Closed trolley walls
- All-round, extremely stable rim profiles at the top and bottom ensure a durable trolley design
- Walls and aluminium profiles are interlocked by means of clinching, making them extremely stable
- Without beading
- Stable undercarriage support made of galvanised steel
- Galvanised steel wheel housing, non-marking solid rubber wheels, roller bearings and threadguards
- Wheel arrangement D or A



Wheel arrangement D:  
4 swivel castors,  
2 of which have brakes



Wheel arrangement A:  
2 swivel castors and 2  
fixed castors, arranged in  
a rhomboidal position



G<sup>®</sup>-TRANS  
D 1008/230 E

► Other versions

Model number	Wheel arrangement	Dimensions L x W x H (approx. mm)		Volume (approx. l)	Wheel (mm)	Load capacity (approx. kg)	Weight (approx. kg)	Order no.
		internal	external					
D 1008 / 230 E	D	700 x 550 x 600	730 x 580 x 760	230	100	200	18	020100807
D 1008 / 525 E	A	1250 x 700 x 600	1280 x 730 x 795	525	125	150	29	020100809

## TIP



Anodised surface for even better protection against corrosion and abrasion

Model:

## Transport trolley G<sup>®</sup>-TRANS D 1008/525 E

- Wheel arrangement A



G<sup>®</sup>-TRANS  
D 1008/525 E

G<sup>®</sup>-TRANS  
D 1008/230 E





## Transport trolley G®-TRANS D 3508

For easy loading and unloading  
of the goods

Material: aluminium



G®-TRANS  
D 3508/360 | Lid

- Foldable front panel: top half down
- Smooth surface
- Walls and aluminium profiles are interlocked by means of clinching, making them extremely stable
- Walls and fold down front panel reinforced with all-round trapezoidal beading (rib)
- Stable undercarriage support made of galvanised steel
- Galvanised steel wheel housing, non-marking solid rubber wheels, roller bearings and threadguards
- Wheel arrangement B



Wheel arrangement B:  
2 swivel castors with  
brakes and 2 fixed  
castors



G®-TRANS  
D 3508/360

G®-TRANS  
D 3508/1050 | Lid

► Other versions

Model number	Wheel arrangement	Dimensions L x W x H (approx. mm)		Volume (approx. l)	Wheel (mm)	Load capacity (approx. kg)	Weight (approx. kg)	Order no.
		internal	external					
<b>Transport trolley with fold down front panel</b>								
D 3508 / 360	B	900 x 500 x 800	930 x 530 x 985	355	125	250	22.5	020350801
D 3508 / 360   lid	B	900 x 500 x 800	960 x 555 x 990	355	125	250	25.5	220350831
D 3508 / 1050	B	1250 x 700 x 1200	1280 x 730 x 1430	1050	160	300	40	020350802
D 3508 / 1050   lid	B	1250 x 700 x 1200	1310 x 755 x 1435	1050	160	300	46	220350834
<b>Transport trolley with side down front panel</b>								
D 3708 / 360	B	900 x 495 x 800	930 x 525 x 985	355	125	250	24	020370801
D 3708 / 360   lid	B	900 x 495 x 800	960 x 550 x 990	355	125	250	27	220370831
D 3708 / 650	B	1250 x 645 x 800	1280 x 675 x 985	650	125	250	31	020370802
D 3708 / 650   lid	B	1250 x 645 x 800	1310 x 700 x 990	650	125	250	37	220370833
<b>Transport trolley with cut side wall</b>								
D 3808 / 945	B	1500 x 900 x 700	1680 x 930 x 970	945	200	300	44	020380801
Cylinder lock for toggle fastener								045031001

Model:

## Transport trolley G®-TRANS D 3708

- With slide down front panel
- Slide down front panel and front without beading



Model:

## Transport trolley G®-TRANS D 3808

- With cut side wall, approx. 1130 x 250 mm
- Anodised handles on both short sides



## TIP



- Ergonomic work through easier loading and unloading
- Handles on the G®-TRANS D 3808 model enable easy handling at maximum load
- Ideal when space is tight

## Transport trolley G®-TRANS D 1508

For easy loading and unloading of the goods

Material: aluminium



G®-TRANS  
D 1508/360 SCU

- Foldable front panel: top half down
- Hinged lid, 2 retaining straps and 2 toggle fasteners
- Smooth surface
- Walls and aluminium profiles are interlocked by means of clinching, making them extremely stable
- Walls without beading, making them particularly easy to clean
- Open flap is held by 2 magnets
- Anodised handles on both short sides
- Base with down-grade and 2 drain holes
- Both drain holes with drain valve, plug and chain
- Base sealed with silicone
- Stable undercarriage support made of galvanised steel
- Galvanised steel wheel housing, thermoplastic rubber tread, grey and non-marking, precision ball bearings and plastic threadguards
- Wheel arrangement B



Wheel arrangement B:  
2 swivel castors with  
brakes and 2 fixed  
castors



G®-TRANS  
D 1508/360 SCU | PVC

### ► Other versions

Model number	Wheel arrangement	Dimensions L x W x H (approx. mm)		Volume (approx. l)	Wheel (mm)	Load capacity (approx. kg)	Weight (approx. kg)	Order no.
		internal	external					
D 1508 / 360 SCU	B	900 x 500 x 800	970 x 560 x 1005	360	125	200	26	020150823
D 1508 / 360 SCU   PVC	B	900 x 500 x 800	990 x 590 x 1005	360	125	200	30	220150823
D 1539 / 690 SCU	B	1000 x 575 x 1200	1070 x 635 x 1475	690	200	300	40	020153913
D 1539 / 690 SCU   PVC	B	1000 x 575 x 1200	1090 x 665 x 1475	690	200	300	44	220153913
D 1539 / 1050 SCU	B	1250 x 700 x 1200	1320 x 760 x 1475	1050	200	300	52	020153914
D 1539 / 1050 SCU   PVC	B	1250 x 700 x 1200	1340 x 790 x 1475	1050	200	300	57	220153914



G®-TRANS  
D 1539/690 SCU | PVC

Model:

## Transport trolley G®-TRANS D 1539

- With a front panel, up to 2/3 of which can be folded down
- 2-part lid with 2 straps and 2 toggle fasteners
- Galvanised steel wheel housing, wheel centre made of polypropylene (Supratech), thermoplastic rubber tread, grey and non-marking, precision ball bearings



2-part lid for easy and safe work



Extremely low fold down front panel for easy loading and unloading



Drain holes with drain valve, plug and chain

## TIP



- Also with an all-round, flexible and abrasion-resistant PVC bumper on the lower rim of the trolley, protects the trolley, walls and doors
- Extremely low fold down front panel for easy loading and unloading
- 2-part hinged lid for easy and safe work
- Handles enable easy handling at maximum load
- Very quiet and low contact resistance





# Maximum transport capacity with a minimum net weight

This is what distinguishes our hard-wearing and durable transport trolleys.

The lightweight and robust transport trolleys can be used on all sides for storage and transport in your logistics. They have proven their reliability for decades in many sectors, such as industry, hospitals, laundry facilities, waste disposal, pharmaceuticals, automotive industry, textile industry, catering sector etc.



Perforated trolley



Swivel castor with brake



Fixed castor

## Options for the Transport trolley G®-TRANS:



Hinged lid and 2 toggle fasteners



Cylinder lock in both toggle fasteners



Padlock with a maximum shackle thickness of 6.5 mm is possible



All-round, flexible and abrasion-resistant PVC bumper



Embossing



Handle



Towing system



Special wheels for heavy loads or high temperatures



Undercarriage changes (wheel diameter, wheel arrangement, tyres)



# Transport trolleys – versions for any purpose

Ergonomic – variable – efficient

Special solutions can be manufactured individually to suit customer requirements, even in small series. The trolleys shown are some examples of the solutions realised. Please do not hesitate to contact us.



Collapsible transport trolley



Transport trolley with hose connection



Transport trolley with removable plastic tray



Transport trolley with drawers



Perforated transport trolley with special towing system



Transport trolley with 3-part front panel and 2 divider walls



## Light and ergonomic work

eliminates back strain and saves money  
by increasing work efficiency

Our spring-loaded base trolleys ensure no strain is put on the back. The constant loading and unloading height allows loads to be removed or stacked ergonomically. Of course, your goods are also protected due to the lower height of fall.

### TIP



- Improved ergonomics in the workplace through your employees complying with the constant loading and unloading height
- This back-friendly principle is an advantage for the health of your employees
- The spring force can be easily adjusted by the user to suit their own needs

## Advantages of the G<sup>®</sup>-ERGO

- Constant loading and unloading height
- Many standard versions available with various spring force
- The spring force can be easily adjusted by the user to suit their own needs
- Spring-loaded base does not tilt, even with one-sided loading
- Anodisation protects against abrasion and corrosion
- Extremely stable design due to metal joints with the latest technologies
- Swivel castors with brakes in accordance with European standard EN 1757-3



## Spring-loaded base trolley G<sup>®</sup>-ERGO vario D 1408

Material: anodised aluminium



G<sup>®</sup>-ERGO vario  
D 1408/350



Wheel arrangement B:  
2 swivel castors with  
brakes and  
2 fixed castors



Wheel arrangement D:  
4 swivel castors, 2 of  
which have brakes



Wheel arrangement A:  
2 swivel castors and 2  
fixed castors, arranged  
in a rhomboidal  
position

### ► Other versions



G<sup>®</sup>-ERGO vario  
D 1408/350  
Transparent version shown



G<sup>®</sup>-ERGO vario  
D 1408/350  
with tension springs

Model number	Wheel arrangement	Dimensions L x W x H (approx. mm)		Volume (approx. l)	Wheel (mm)	Spring force (approx. kg)	Load capacity (approx. kg)	Weight (approx. kg)	Order no.
		internal	external						
<b>Vario</b>									
D 1408 / 180	D	740 x 510 x 485	855 x 550 x 760	180	125	50	130	34	022140808
D 1408 / 350	B	1000 x 650 x 580	1115 x 690 x 855	380	125	70	130	44	022140802
D 1408 / 350	D	1000 x 650 x 580	1115 x 690 x 855	380	125	25	130	42	222140803
D 1408 / 350 A SC	A	1000 x 650 x 580	1115 x 690 x 855	380	125	50	130	44	022140811
D 5408 / 580	B	1400 x 700 x 620	1515 x 740 x 895	615	125	70	100	55	022540801
D 5408 / 580 A SC	A	1400 x 700 x 620	1515 x 740 x 905	615	125	50	100	51	022540812

- Smooth and anodised surface
- Walls and aluminium profiles are interlocked by means of clinching, making them extremely stable
- Smooth side walls reduce the friction of the load; the spring-loaded trolley reacts immediately to any change in weight
- All-round, extremely stable profiles at the top and bottom on the rims of the trolley
- All-round, flexible and abrasion-resistant PVC bumper on the upper rim of the trolley
- Parallel and torsion-free guidance of the drop-down floor by means of 8 covered ball bearings, even with one-sided loading
- Constant loading and unloading height; the weight of the load allows the base to continuously drop down. The base rises slowly when the trolley is unloaded
- Stable undercarriage support made of galvanised steel
- Galvanised steel wheel housing, non-marking solid rubber wheels, roller bearings and threadguards
- Wheel arrangement B, D or A



Model:

## Spring-loaded base trolley G<sup>®</sup>-ERGO vario D 1408/350 A SC

- Wheel arrangement A: 2 swivel and 2 fixed castors, arranged in a rhomboidal position
- Wheels with a thermoplastic rubber tread, non-marking, precision ball bearings



Model:

## Spring-loaded base trolley G<sup>®</sup>-ERGO vario D 5408/580

- Wheel arrangement B: 2 swivel castors with brakes and 2 fixed castors
- Non-anodised surface



Model:

## Spring-loaded base trolley G<sup>®</sup>-ERGO vario D 5408/580 A SC

- Wheel arrangement A: 2 swivel and 2 fixed castors, arranged in a rhomboidal position
- Wheels with a thermoplastic rubber tread, non-marking, precision ball bearings



## Spring-loaded base trolley G®-ERGO classic D 1408

Material: anodised aluminium



G®-ERGO classic  
D 1408/180

- Smooth and anodised surface
- Walls and aluminium profiles are interlocked by means of clinching, making them extremely stable
- Smooth side walls reduce the friction of the load; the spring-loaded base trolley reacts immediately to any change in weight
- All-round, extremely stable profiles at the top and bottom on the rims of the trolley
- Parallel and torsion-free guidance of the drop-down floor by means of 8 covered ball bearings, even with one-sided loading
- Constant loading and unloading height; the weight of the load allows the base to continuously drop down. The base rises slowly when the trolley is unloaded
- Spring force: 25 kg
- Modification of the spring force and undercarriage is not possible
- No option available
- Stable undercarriage support made of galvanised steel
- Galvanised steel wheel housing, non-marking solid rubber wheels, roller bearings and threadguards
- Wheel arrangement D



Wheel arrangement D:  
4 swivel castors

### ► Other versions



G®-ERGO classic  
D 1408/350  
Transparent version shown

Model number	Wheel arrangement	Dimensions L x W x H (approx. mm)		Volume (approx. l)	Wheel (mm)	Spring force (approx. kg)	Load capacity (approx. kg)	Weight (approx. kg)	Order no.
		internal	external						
<b>Classic</b>									
D 1408 / 180	D	740 x 510 x 485	845 x 540 x 760	180	125	25	100	26	022140807
D 1408 / 350	D	1000 x 650 x 580	1105 x 680 x 855	380	125	25	100	33	022140805

## TIP



Very good price-performance ratio with the excellent Gmöhling quality



Model:  
**Spring-loaded base trolley G®-ERGO classic D 1408/350**

- Volume: 380 l



G®-ERGO classic  
D 1408/350

G®-ERGO classic  
D 1408/180

# Aluminium spring-loaded base trolleys

The transport trolley with a spring-loaded base - for easy handling without bending down.

The Gmöhling spring-loaded base trolley is indispensable in hospital and laundry logistics, in retirement homes, in libraries, in the automotive industry, in intralogistics etc.

Our spring-loaded base trolleys in detail:



Vario version with tension springs for easy adjustment of the spring force



Swivel castor with brake



Brushes on a spring-loaded base



Inlay with plastic rim for a lower gap



Spring force can be chosen to suit the requirements



Scales



Lid



Handle



Undercarriage changes (wheel diameter, wheel arrangement, tyres)



PVC bumper in different colours

Options for the spring-loaded base trolley G<sup>®</sup>-ERGO vario:

## TIP

! These options are available with an order quantity of just 5 units





# Special solutions for spring-loaded base trolleys

Tailor-made solutions are our trademark!

**GMÖHLING**  
www.gmoehling.com  
Gmöhling Transportgeräte GmbH | 90765 Fürth | Germany

Every industry has its individual requirements that can often not be met with standard solutions.

Here are some examples from our decades of experience with tailor-made solutions. Successful projects from the following sectors, amongst others: healthcare, automotive industry, pharmaceutical industry, electrical industry, intralogistics, textile industry etc.



ERGOTEC motor base trolley



Spring-loaded base trolley with 2 separate bases



Spring-loaded base trolley with cut side wall and polyamide wheels



Spring-loaded base trolley with spring force scale

Perforated spring-loaded base trolley



Order-picking trolley with ladder



## Cupboard trolleys in all versions

The all-rounder for the highest demands

The Gmöhling cupboard trolley can do it all, regardless of where it is used. It has proven its reliability as a transport and storage trolley for dirty and fresh laundry and as a food trolley in the day-to-day work of hospitals and care homes all around the world. The cupboard trolley is used for the transport of sterilised materials and as medicine trolley.

The areas of use are extremely diverse, whether as an in-house tool trolley, a costume trolley for the theatre, opera, films and shows, a mobile office or for use in schools and public institutions.

The all-rounder - a thoughtful design down to the very last detail!

### Advantages of the G<sup>®</sup>-CUP

- Anodisation protects against abrasion and corrosion
- Long service life due to high-quality workmanship
- High degree of stability with a low net weight
- Dustproof and splashproof
- Easy handling and ergonomic, even at maximum load
- Various internal and external trolley configuration available
- Swivel castors with brakes in accordance with European standard EN 1757-3



## Cupboard trolley G®-CUP E 272

Material: anodised aluminium

- Anodised surface
- Walls and aluminium profiles are interlocked by means of clinching, making them extremely stable
- Open cupboard side with an all-round profile frame



G®-CUP  
E 2721

- Two extremely rigid hinged doors, 3.0 mm thick, can be rotated through 270 degrees
- Open doors are secured by magnets
- Easy to use, one-handed, central twist lock ensures safely locked doors, even during transport by truck
- Good noise insulation and dust protection due to the all-round EPDM seal integrated onto the doors as well as the base and top profile
- Smooth interior with no indentations for easy handling and cleaning
- Ergonomic push/pull handles on both short sides
- All-round, abrasion-resistant, blue PVC bumper on the top and lower rim of the trolley
- 2 removable shelves create 3 evenly spaced storage compartments, each shelf can be loaded up to 100 kg equally distributed
- DIN A4 document frame on the inside of the door and DIN A7 on the short side of the trolley
- Torsion-resistant trolley undercarriage due to the BiTubAl® system
- Galvanised steel wheel housing, Supratech wheels, 200 mm wheel, polypropylene wheel centre, thermoplastic rubber tread, non-marking, precision ball bearings
- Wheel arrangement B



Wheel arrangement B:  
2 swivel castors with  
brakes and  
2 fixed castors

► Other versions



G®-CUP  
E 2724



Model:  
Cupboard trolley  
G®-CUP E 2723

- 1 shelf

## TIP



- The Supratech wheels have a very low contact resistance and offer very smooth operation
- Very low running noise with low wear

Model number	Wheel arrangement	Dimensions L x W x H (approx. mm)		Volume (approx. l)	Number of compartments	Compartment height (approx. mm)	Wheel (mm)	Load capacity (approx. kg)	Weight (approx. kg)	Order no.
		internal	external							
E 2721	B	1320 x 600 x 1220	1410 x 690 x 1596	970	3	390	200	300	80	024272121
E 2722	B	1130 x 550 x 1430	1220 x 640 x 1806	890	3	460	200	300	77	024272222
E 2723	B	1130 x 550 x 1030	1220 x 640 x 1406	640	2	500	200	300	63	024272323
E 2724	B	1130 x 520 x 1430	1220 x 610 x 1806	840	3	460	200	300	75.5	024272424
E 2725	B	750 x 550 x 1430	840 x 640 x 1806	590	3	460	200	300	61	024272525
E 2726	B	1255 x 600 x 1430	1345 x 690 x 1806	1080	3	460	200	300	84	024272626



**G<sup>®</sup>-CUP E 272 –  
perfection down  
to the very last  
detail**



G<sup>®</sup>-CUP  
E 2724

**1 Shelves**

- Removable, fixed on request
- Every shelf can be fully loaded up to 100 kg
- Smooth, easy to clean

5

3

2

4

1

6

7

10

11

8

9

12

**8 Hinged doors**

- High rigidity due to the profiles
- Can be rotated through 270 degrees
- 3 mm thickness

**2 Seals on the door frame and door**

- New integrated EPDM seal (tongue and groove system - also ideal for automatic washing facilities)

**3 Bumpers**

- Replaceable, elastic blue PVC bumper on the top and base of the trolley
- Top edging to secure the storage of small parts

**4 Document frames**

- DIN A4 size inside on the right door
- DIN A7 size outside on the right short side

**5 Twist lock**

- Easy to use, centrally operated
- Contact pressure against the door frame seal
- Easy and secure locking, even in the case of overfilling
- Doors do not spring open during transport by truck

**6 Shelf supports**

- Made of polyamide

**7 Door hinges**

- Continuously from top to bottom
- Maintenance-free and silent due to the Teflon-coated hinge pins

**9 Trolley undercarriage**

- Optimum torsional stiffness
- High degree of stability due to the BiTubAl<sup>®</sup> frame (two tubular system profiles connected to the trolley undercarriage)
- Adjustable wheel positions
- Smooth running, even when trolleys are towed in train

**10 Handles**

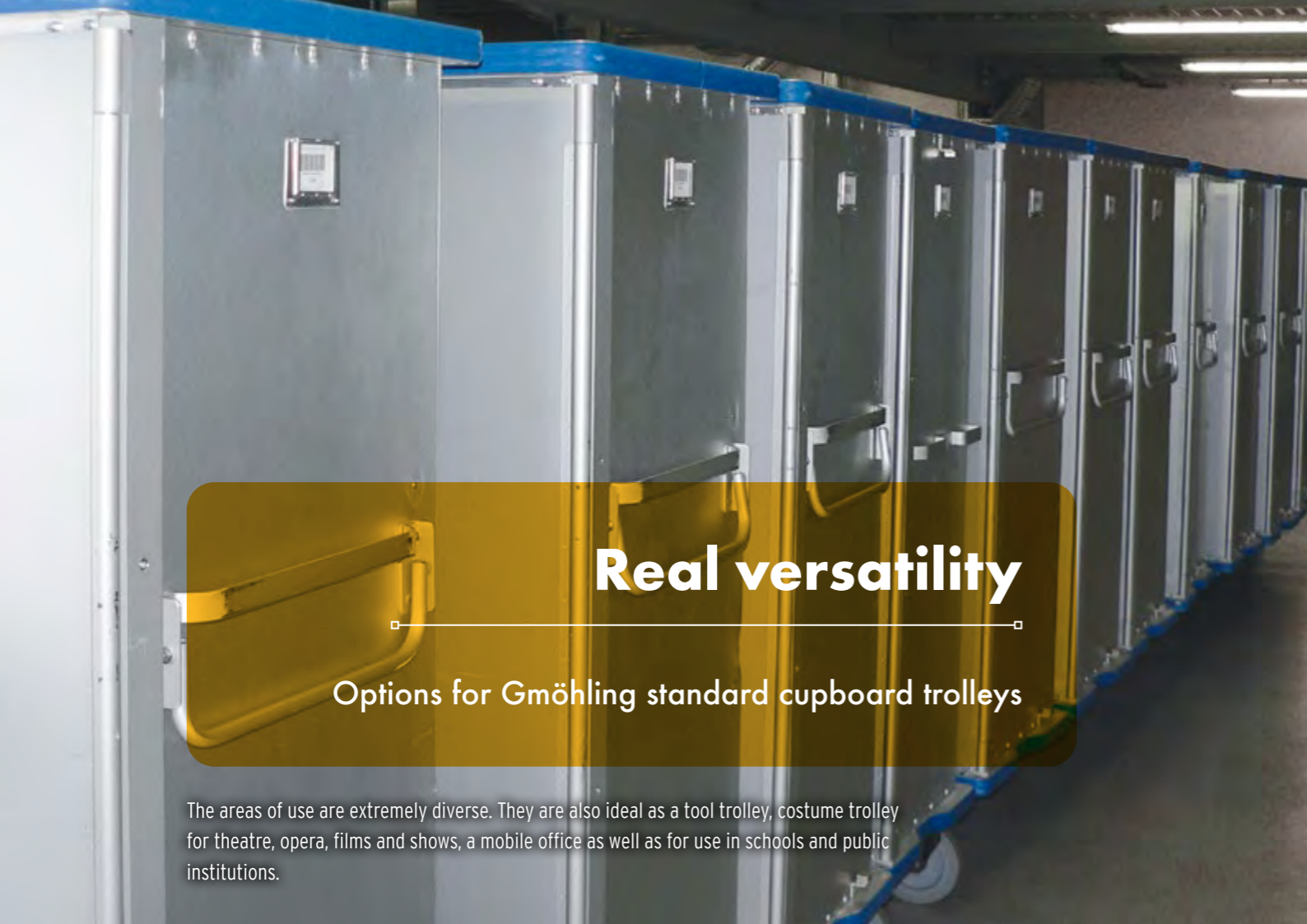
- Ergonomic handles in 2 versions
- Combined push/pull handle on both short sides
- Easy push handle
- Pull handle ensures maximum safety at work

**11 Magnets**

- For securing the open doors on both short sides

**12 Undercarriage**

- 2 swivel castors with brakes and 2 fixed castors
- Supratech wheels, 200 mm diameter wheel, precision ball bearings, thermoplastic rubber tread, non-marking
- Many optional alternatives (e.g. for use in sterile areas)
- Adaptable for AGV
- Wheel positions can be adjusted



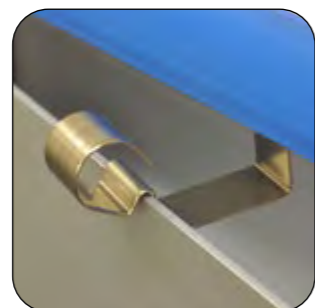
## Real versatility

Options for Gmöhling standard cupboard trolleys

The areas of use are extremely diverse. They are also ideal as a tool trolley, costume trolley for theatre, opera, films and shows, a mobile office as well as for use in schools and public institutions.



Cylinder lock incl. 2 keys



Bracket to hold open the doors in washing facilities



Variable internal configuration with hanging rail and shelves



Swing down shelves



Swing down shelf with drop grid



Drill hole in the locking profile, e.g. for a seal or cable ties

## Options for the cupboard trolley G<sup>®</sup>-CUP:



Embossing



Sliding sign with frame



Coloured epoxy coating



Doorless version with tarpaulin cover



Towing system for towing in train



Central brake and towing system



4 swivel castors, 2 of which are operated together with directional locking



Undercarriage for all Automated Guided Vehicle (AGV)



Certification for the transport of contaminated sterile materials



## Open cupboard trolley G®-CUP light E 2601

Material: anodised aluminium



G®-CUP light  
E 2601/1

- Anodised surface
- Without doors for quick access and to save space
- Smooth interior with no indentations for easy cleaning and handling
- Ergonomic push/pull handle on both short sides
- All-round, abrasion-resistant, blue PVC bumper on the lower rim of the trolley
- 2 fixed shelves create 3 evenly spaced storage compartments, each shelf can be loaded up to 100 kg equally distributed
- Stable undercarriage support made of galvanised steel
- Galvanised steel wheel housing, non-marking solid rubber wheels, 160 mm wheel, polypropylene wheel centre, roller bearings and threadguards
- Wheel arrangement D



Wheel arrangement D:  
4 swivel castors, 2 of  
which have brakes

► Other versions



G®-CUP  
E 2601/2



Model:

## Open cupboard trolley G®-CUP light E 2601 / 3

- 3 fixed shelves create 4 evenly spaced storage compartments

### TIP



- Ideal when space is tight
- An optimum overview and direct access to the contents
- You can find more options on page 39

Model number	Wheel arrangement	Dimensions L x W x H (approx. mm)		Volume (approx. l)	Number of compartments	Compartment height (approx. mm)	Wheel (mm)	Load capacity (approx. kg)	Weight (approx. kg)	Order no.
		internal	external							
E 2601/1	D	870 x 460 x 1160	960 x 500 x 1460	460	3	370	160	300	35	023260101
E 2601/2	D	1180 x 540 x 1160	1270 x 580 x 1460	740	3	370	160	300	41.5	023260102
E 2601/3	D	1180 x 540 x 1330	1270 x 580 x 1630	850	4	310	160	300	47	023260103

# Special solutions for cupboard trolleys

Individual solutions for the design of the interior

Gmöhling cupboard trolleys have been used productively and proven successful for decades in hospitals, care homes, laundry facilities, industry and also in the service sector all around the world. They simplify the logistics, reduce costs and make work easier for the employees. Thanks to our many years of experience and flexibility, we realise special solutions to suit your individual requirements.

We design and optimise your supply chain solutions.



Costume trolley for film and theatre



Cupboard trolley with drawers and lid



Cupboard trolley with hanging rail and shelves



Kitting rack for electronic components



Cupboard trolley with swing down shelves and drop grid



Cupboard trolley for sterilising in autoclaves, on a container dolly



Cupboard trolley with drawers and crane lugs



## Variable configuration

with ISO module baskets – for all purposes

Our modular cupboard trolley is specifically designed for ISO module baskets. You can freely select the configuration and fittings of these cupboard trolleys and adapt them to suit your individual requirements.

The reliable and easy handling of the modular system allows you to streamline logistics processes.

Is your desired size or configuration not in our wide standard range? Not a problem! We can also offer you small series.



## Advantages of the G<sup>®</sup>-CUP ISO E 273

- Compartment height can easily be adjusted individually
- Suitable for all components of the 600 x 400 mm ISO modular system
- Flexible and versatile areas of use
- Anodisation protects against abrasion and corrosion
- Consistently designed to be easy to use
- Hygienic because the internal fittings are completely removable

## Modular cupboard trolley G<sup>®</sup>-CUP ISO E 273

Material: anodised aluminium

- Anodised surface
- With 1, 2 or 3 rows of modules
- Each compartment contains 9 pairs of height-adjustable plastic rails and can be extended up to 18 pairs
- Internal design - vertical pillars and rails - completely removable if required, suitable for all components of the 400 x 600 mm or 400 x 300 mm ISO modular system
- Walls and aluminium profiles are interlocked by means of clinching, making them extremely stable
- High stability even with open door thanks to an all-round profile frame
- Two extremely rigid hinged doors, 3.0 mm thick, can be rotated through 270 degrees
- Open doors are secured by magnets

- Easy to use, one-handed, central twist lock ensures safely locked doors, even during transport by truck
- Good noise insulation and dust protection due to the all-round EPDM seal integrated onto the doors as well as the base and top profile
- Smooth interior with no indentations for easy handling and cleaning
- Handles on each short side
- All-round, abrasion-resistant, blue PVC bumper on the top and lower rim of the trolley
- DIN A4 document frame on the inside of the door and DIN A7 on the short side of the trolley
- Torsion-resistant trolley undercarriage due to the BiTubAl<sup>®</sup> system
- Galvanised steel wheel housing, Supratech wheels, 200 mm wheel, polypropylene wheel centre, thermoplastic rubber tread, non-marking, precision ball bearings
- Wheel arrangement B



Wheel arrangement B:  
2 swivel castors with  
brakes and 2 fixed  
castors

► Other versions



G<sup>®</sup>-CUP ISO  
E 2733



Model:  
**Modular cupboard  
trolley  
G<sup>®</sup>-CUP ISO E 2731**

- With a rigid handle on the door

Model number	Wheel arrangement	Dimensions L x W x H (approx. mm)		Volume (approx. l)	Plastic rails (pair)	Grid spacing (approx. mm)	Wheel (mm)	Load capacity (approx. kg)	Weight (approx. kg)	Order no.
		internal	external							
E 2731	B	465 x 635 x 1170	555 x 725 x 1465	345	9	124	125	100	46	024273110
E 2732	B	900 x 635 x 1170	990 x 725 x 1545	670	18	124	200	200	67	024273220
E 2733	B	1330 x 635 x 1170	1420 x 725 x 1545	990	27	124	200	300	82.5	024273330

Module baskets are not included in the delivery.



G<sup>®</sup>-CUP ISO  
E 2731



G<sup>®</sup>-CUP ISO  
E 2732



# Tailor-made modular cupboard trolley

The anodised aluminium modular cupboard trolley G®-CUP ISO E 273 in detail

Our anodised ISO modular cupboard trolley scores well with easy handling and cleaning, durability, versatility, ergonomic perfection and first-class quality.



## TIP

- ! You can find more features on page 36 - 37
- You can find more options on page 38 - 39



- Height-adjustable plastic rails
- For 400 x 600 mm ISO module baskets
- Smooth, easy to clean



- Modular cupboard trolleys are supplied without baskets and boxes
- The trolleys are compatible with module baskets supplied by most manufacturers



1-row



2-row



3-row

## Our perfect 'logistics assistant'

Greater order, more space and a better overview - on up to five levels

Whether order picking in e-commerce, in the industrial sector, in a workshop or in the healthcare sector, Gmöhling shelf trolleys always ensure an efficient workflow. They guarantee reliable transport, the intermediate storage of parts as well as order-based disbursement or portioning at the conveyor belt.

Always easily manageable and readily available everywhere, they reduce setup and transit times.

The trolleys are optimised for the use of open-fronted storage bins. This makes our trolleys an indispensable component in many processes in companies that bring clear improvements to internal workflows. The shelf trolleys are extremely stable with a low net weight.

### Advantages of the G<sup>®</sup>-ORG

- Suitable for the transport of open-fronted storage bins (500 x 300 x 200 mm)
- Easy handling and ergonomic, even at maximum load
- Flexible, ideal when space is tight
- An optimum overview and direct access to the contents
- Very stable and high quality due to the welded shelves





## Shelf trolley G<sup>®</sup>-ORG E 2801

Material: aluminium

- Smooth surface
- 4 permanently welded shelves create 5 evenly spaced storage compartments



G<sup>®</sup>-ORG  
E 2801/4



G<sup>®</sup>-ORG  
E 2801/6

- Storage compartments with a raised rim at the side and rear
- Space between the shelves 230 mm
- Every shelf can be fully loaded up to 100 kg equally distributed
- 25 x 25 mm square aluminium pillar profiles on the short sides are also used for pushing the trolley
- All-round, abrasion-resistant, blue PVC bumper on the lower rim of the trolley
- Stable undercarriage support made of galvanised steel
- Galvanised steel wheel housing, 160 mm diameter wheel, non-marking solid rubber wheels, roller bearings and threadguards
- Wheel arrangement D



Wheel arrangement D:  
4 swivel castors, 2 of  
which have brakes

### ► Other versions



G<sup>®</sup>-ORG  
E 2801/7

Model number	Wheel arrangement	Dimensions L x W x H (approx. mm)		Number of bins	Number of compartments	Compartment height (approx. mm)	Wheel (mm)	Load capacity (approx. kg)	Weight (approx. kg)	Order no.
		internal	external							
E 2801/4	D	980 x 520 x 1135	1070 x 590 x 1405	15	5	230	160	300	36	023280104
E 2801/5	D	980 x 520 x 1390	1070 x 590 x 1660	18	6	230	160	300	40	023280105
E 2801/6	D	1290 x 520 x 1150	1380 x 590 x 1420	20	5	230	160	300	43	023280106
E 2801/7	D	1290 x 520 x 1390	1380 x 590 x 1660	24	6	230	160	300	48	023280107

Open-front storage bins are not included in the delivery.



Model:  
**Shelf trolley  
G<sup>®</sup>-ORG E 2801/5  
and E 2801/7**

- 5 permanently welded shelves create 6 evenly spaced storage compartments

## TIP

- Very low net weight with a high degree of stability
- Suitable for the transport of standard open-fronted storage bins with the dimensions 500 x 300 x 200 mm (L x W x H)
- Many versions for a different capacity of open-fronted storage bins

### Tailor-made solutions:



e.g. Sorting trolley for pick-to light frame

# Hazardous goods packaging

in good hands when it comes to safety!

Safety regulations must be observed for the packaging, storage and transport of hazardous materials.

## Gmöhling hazardous goods packaging (ADR)

has been approved by the Federal Institute for Materials Research and Testing (BAM) in Berlin as external packaging:

- For solid substances in the packing group I: high danger; specification mark X
- For solid substances in the packing group II: medium danger; specification mark Y
- For solid substances in the packing group III: low danger; specification mark Z

## In accordance with international regulations

- European agreement concerning the international carriage of hazardous goods by road (ADR)
- Regulation for the international carriage of hazardous goods by rail (RID)
- International Maritime Dangerous Goods Code (IMDG)

## Advantages of the G<sup>®</sup>-safe BOX

- Hazardous goods are transported safely and packed according to the regulations
- UN approval with X and Y certification
- Robust and dimensionally stable design
- Large variety
- Good dust and splash-water protection due to the integrated lid seal
- Reusable multi-trip packaging





## Hazardous goods packaging

### G<sup>®</sup>-safe BOX A 1589

Material: aluminium



G<sup>®</sup>-safe BOX  
A 1589/73 4B Y

- All-round, extremely stable rim profiles at the top and bottom, as well as a lid, ensure a durable container design
- Side walls (from a volume of 73 l) reinforced with all-round trapezoidal beading (rib)
- Hinged lid, all-round rubber seal and 2 straps
- Stable spring-drop handle on 2 short sides
- 2 toggle fasteners with protection against springing open
- Toggle fasteners with the option of attaching seals and / or shackle locks / padlocks with a shackle with a thickness of up to 6.5 mm
- 30 mm corner radius
- Stackable and match pallet dimensions (see table for exception)

Model number	Euro pallet size	Dimensions L x W x H (approx. mm)		Volume (approx. l)	Weight (approx. kg)	Maximum permissible gross weight (approx. kg)	Order no.
		internal	external				
<b>Versions with X approval</b>							
A 1589 / 29 4B X	yes	553 x 353 x 150	588 x 388 x 180	29	4	40	210158909
A 1589 / 60 4B X	yes	553 x 353 x 310	558 x 388 x 340	60	5	51	210158905
A 1589 / 73 4B X	yes	553 x 353 x 380	588 x 388 x 410	73	5.5	56	210158916
A 1589 / 156 4B X	yes	753 x 553 x 380	788 x 588 x 410	156	10	60	210158903
A 1589 / 239 4B X	yes	753 x 553 x 580	788 x 588 x 610	239	12	88	210158908
A 1589 / 327 4B X	yes	1153 x 753 x 380	1188 x 788 x 410	327	17	150	210158918
<b>Versions with Y approval</b>							
A 1589 / 29 4B Y	yes	553 x 353 x 150	588 x 388 x 180	29	4	40	210158910
A 1589 / 42 4B Y	yes	553 x 353 x 220	588 x 388 x 250	42	4.5	44	210158911
A 1589 / 73 4B Y	yes	553 x 353 x 380	588 x 388 x 410	73	5.5	56	210158913
A 1589 / 156 4B Y	yes	753 x 553 x 380	788 x 588 x 410	156	10	86	210158915
A 1589 / 239 4B Y	yes	753 x 553 x 580	788 x 588 x 610	239	12	88	210158917
A 1589 / 327 4B Y	yes	1153 x 753 x 380	1188 x 788 x 410	327	17	150	210158919

#### Important note:

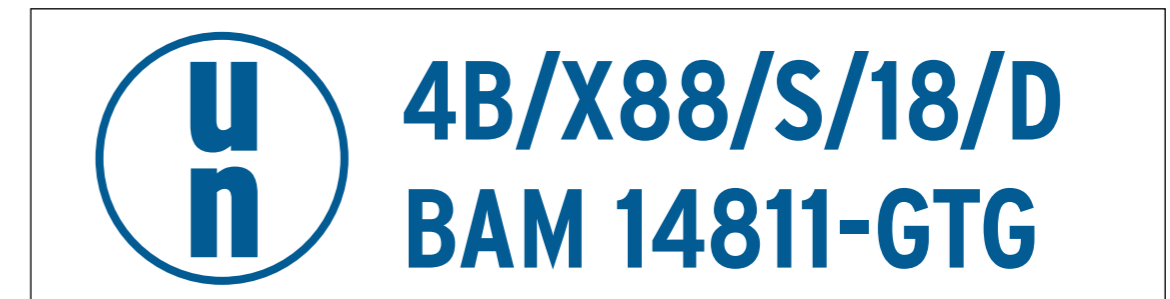
The clearance dimensions for the length and width on the top rim of the container is approx. 10 mm smaller than the internal dimensions and 30 mm for the models with a volume of 156 litres and above.

## TIP

- ! ■ Ergonomic and safe stacking thanks to the Gmöhling stacking rim, thus considerably simplifying the handling
- ■ Ideal for high stacks and when space is tight

## Structure of the UN approval number

UN symbol	4 = packaging type (box) B = material used (aluminium)	Suitable for packing groups I, II & III	Max. gross weight in kg	Solid - for solids or for the inclusion of inner packaging	Year of manufacture - 2018 in this case	Country code
<b>UN</b>	<b>4B</b>	<b>X</b>	<b>88</b>	<b>S</b>	<b>18</b>	<b>D</b>
<b>BAM 14811-GTG</b>		Approval number of the manufacturer of the hazardous goods packaging against which they can be unequivocally identified				



## Details of the hazardous goods packaging

### G<sup>®</sup>-safe BOX



Lid with retaining strap and all-round rubber seal



Safety catch in the toggle fastener



UN certification

## The stackable boxes and crates

More than 20 sizes  
in different model variants

Our aluminium crates in the various dimensions have important properties: top quality, stable and particularly suitable for diverse areas of use. Your valuable objects are simply well packed for transport, storage and protection against external influences.

### Advantages of the G<sup>®</sup>-BOX

- Ergonomic stacking thanks to the stacking rim
- Corrosion-resistant, dustproof and splashproof
- Low net weight
- Robust and dimensionally stable due to the all-round beading
- Smooth and scratch-resistant surface



### TIP

! You can find suitable container dollies from page 84 - 89

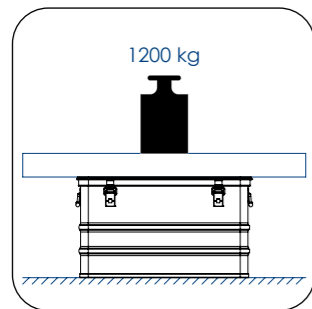


# Box comparison and load testing

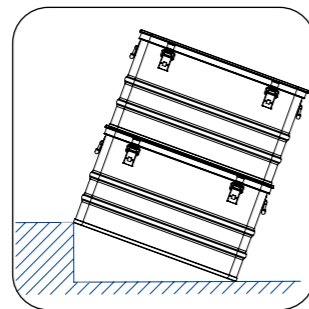
Aluminium transport containers for easy handling

## Load testing

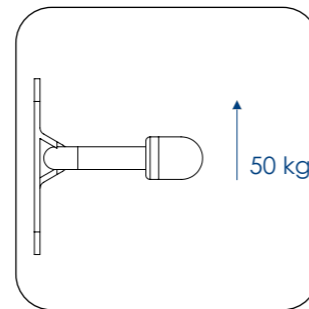
The crates are tested for their resilience:



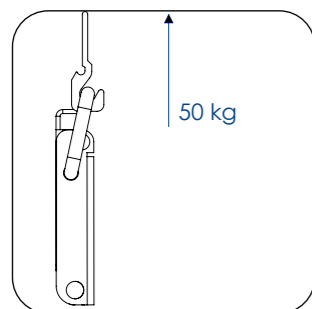
Static load test



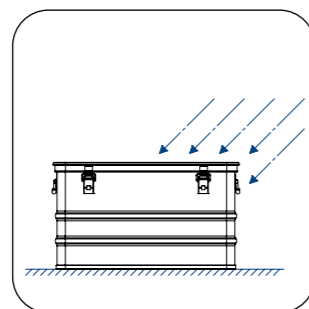
Stacking test



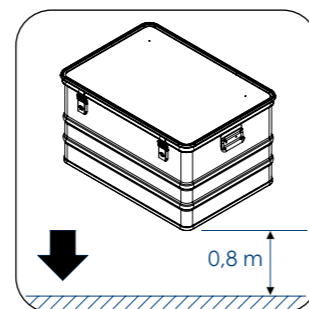
Carry test



Tensile test



Splash test



Drop test

Box comparison	A 1569	A 1589	A 1539	A 1599
Name	<b>G®-premium BOX</b>	<b>G®-premium plus BOX</b>	<b>G®-allround BOX</b>	<b>G®-professional BOX</b>
Material surface	smooth	smooth	scratch-resistant	scratch-resistant
Material thickness	1 mm	1 mm	1 mm	1 mm
Strap	yes	yes	no	yes, except A 1599 / 26
Stackable	yes	yes	to a limited extent	yes
Size	Gmöhling format	compatible with competitors	compatible with competitors, except A 1539 / 150	compatible with competitors
Hinged lock	yes	yes	no	no
Removable lid	no	no	yes	yes
Euro pallet size	no	yes, except A 1589 / 115	no	yes, except A 1599 / 85 und 115
Hazardous goods with BAM approval	yes	yes	no	on request

## General design:

- 1 Smooth or scratch-resistant surface
- 2 All-round, extremely stable profiles on the top rim of the container, bottom and lid ensure a durable container design
- 3 Walls (starting with size of 73 l) reinforced with all-round trapezoidal beadings (rips)
- 4 Hinged lid, all-round rubber seal and 2 straps
- 5 Stable spring-drop handle on both short sides
- 6 2 toggle fasteners
- 7 30 mm corner radius
- 8 Stackable and match to pallet dimensions (see table for exceptions)



## TIP

- More ergonomic and safe stacking thanks to the stacking rim
- Quicker and easier to stack without stacking corners
- Ideal for high stacks and when space is tight

## Transport box G®-premium BOX A 1569

Material: aluminium

► You can find the general design for this model series on page 60 - 61



Model number	Euro pallet size	Dimensions L x W x H (approx. mm)		Volume (approx. l)	Divider walls are available	Load capacity (approx. kg)	Weight (approx. kg)	Order no.	Anodised divider walls mm (LxWxD)	Order no. of divider walls
		internal	external							
A 1569 / 50	no	422 x 335 x 368	457 x 370 x 398	50	no	50	4.5	010156908		
A 1569 / FK 27	no	620 x 400 x 240	655 x 435 x 270	60	yes	50	5.5	010156903	385 x 240 x 1.5	045156901
A 1569 / FK 35	no	620 x 400 x 320	655 x 435 x 350	80	yes	50	6	010156905	385 x 240 x 1.5	045156901
A 1569 / FK 52	no	620 x 400 x 480	655 x 435 x 510	120	yes	50	7	010156907	385 x 240 x 1.5	045156901
A 1569 / 70	no	708 x 498 x 400	743 x 533 x 430	137	no	50	7.5	010156909		
1 pair of divider supports: dimensions of 275 x 165 mm								045150001		
Cylinder lock for toggle fastener								045031001		

### Important note:

The clearance dimensions for the length and width on the top rim of the container is approx. 10 mm smaller than the internal dimensions

## Transport box G®-premium plus BOX A 1589

Material: aluminium

► You can find the general design for this model series on page 60 - 61

► Other versions

- Model A 1589/29 only with 1 spring-drop handle on the front panel
- Model A 1589/42 with an additional spring-drop handle on the front panel
- Model A 1589/327 with 4 spring-drop handles and 3 toggle fasteners



Model number	Euro pallet size	Dimensions L x W x H (approx. mm)		Volume (approx. l)	Divider walls are available	Load capacity (approx. kg)	Weight (approx. kg)	Order no.	Anodised divider walls mm (LxWxD)	Order no. of divider walls
		internal	external							
A 1589 / 29	yes	553 x 353 x 150	588 x 388 x 180	29	no	40	4	010158910		
A 1589 / 42	yes	553 x 353 x 220	588 x 388 x 250	42	yes	50	4.5	010158911	335 x 220 x 1.5	045153902
A 1589 / 60	yes	553 x 353 x 310	588 x 388 x 340	60	yes	50	5	010158912	338 x 250 x 1.5	045158901
A 1589 / 73	yes	553 x 353 x 380	588 x 388 x 410	73	yes	50	5.5	010158913	338 x 250 x 1.5	045158901
A 1589 / 115	no	553 x 553 x 380	588 x 588 x 410	115	yes	50	7	010158914	538 x 250 x 1.5	045158902
A 1589 / 156	yes	753 x 553 x 380	788 x 588 x 410	156	yes	75	8.5	010158915	538 x 250 x 1.5	045158902
A 1589 / 239	yes	753 x 553 x 580	788 x 588 x 610	239	yes	75	10	010158917	538 x 250 x 1.5	045158902
A 1589 / 327	yes	1153 x 753 x 380	1188 x 788 x 410	327	no	150	15	010158919		
1 pair of divider supports: dimensions of 275 x 165 mm								045150001		
Cylinder lock for toggle fastener								045031001		

### Important note:

The clearance dimensions for the length and width on the top rim of the container is approx. 10 mm smaller than the internal dimensions and 30 mm for the models with a volumen of 156 litres and above



## Transport box G<sup>®</sup>-allround BOX A 1539

Material: scratch-resistant aluminium

► You can find the general design for this model series on page 60 - 61

- Structured, extremely scratch-resistant surface
- Without straps
- The lid can be removed if necessary
- Conditionally stackable

► Other versions

- Model A 1539/42 only with 1 handle on the front panel



## Transport box G<sup>®</sup>-professional BOX A 1599

Material: scratch-resistant aluminium

► You can find the general design for this model series on page 60 - 61

- Structured, extremely scratch-resistant surface
- The lid can be removed if necessary

► Other versions:

- Model A 1599/26 with 1 toggle fastener, 1 spring-drop handle on the lid and no straps
- Model A 1599/42 additionally with 1 spring-drop handle on the front panel



Set A 1599 includes:  
A 1599/60, 85, 115 and 156

Model number	Euro pallet size	Dimensions L x W x H (approx. mm)		Volume (approx. l)	Divider walls are available	Load capacity (approx. kg)	Weight (approx. kg)	Order no.	Anodised divider walls mm (LxWxD)	Order no. of divider walls
		internal	external							
A 1539 / 42	no	550 x 350 x 220	585 x 385 x 243	42	yes	30	3.9	010153902	335 x 220 x 1.5	045153902
A 1539 / 60	no	550 x 350 x 310	585 x 385 x 333	60	yes	50	4.4	010153904	335 x 310 x 1.5	045153905
A 1539 / 81	no	750 x 350 x 310	785 x 385 x 333	81	yes	50	5.5	010153905	335 x 310 x 1.5	045153905
A 1539 / 135	no	850 x 450 x 350	885 x 485 x 373	135	yes	75	7.1	010153906	435 x 350 x 1.5	045153906
A 1539 / 150	no	950 x 450 x 350	985 x 485 x 373	150	yes	75	7.6	010153907	435 x 350 x 1.5	045153906
1 pair of divider supports: dimensions of 275 x 165 mm										045150001
Cylinder lock for toggle fastener										045031001

### Important note:

The clearance dimensions for the length and width on the top rim of the container is approx. 10 mm smaller than the internal dimensions

Model number	Euro pallet size	Dimensions L x W x H (approx. mm)		Volume (approx. l)	Divider walls are available	Load capacity (approx. kg)	Weight (approx. kg)	Order no.	Anodised divider walls mm (LxWxD)	Order no. of divider walls
		internal	external							
A 1599 / 26	yes	353 x 253 x 310	388 x 288 x 340	26	no	30	3	010159920		
A 1599 / 42	yes	553 x 353 x 220	588 x 388 x 250	42	yes	50	4.5	010159921	335 x 220 x 1.5	045153902
A 1599 / 60	yes	553 x 353 x 300	588 x 388 x 328	60	yes	50	5	010159922	338 x 250 x 1.5	045158901
A 1599 / 73	yes	553 x 353 x 380	588 x 388 x 410	73	yes	50	5.5	010159923	338 x 250 x 1.5	045158901
A 1599 / 81	yes	753 x 353 x 310	788 x 388 x 340	81	yes	50	6	010159941	338 x 250 x 1.5	045158901
A 1599 / 85	no	620 x 420 x 330	655 x 455 x 360	85	no	50	6	010159928		
A 1599 / 115	no	686 x 486 x 352	721 x 521 x 380	115	no	50	7	010159929		
A 1599 / 156	yes	753 x 553 x 380	788 x 588 x 410	156	yes	75	8	010159924	538 x 250 x 1.5	045158902
A 1599 / 239	yes	753 x 553 x 580	788 x 588 x 610	239	yes	75	9	010159925	538 x 250 x 1.5	045158902
Set A 1599	yes					225	26	010159900		
1 pair of divider supports: dimensions of 275 x 165 mm										045150001
Cylinder lock for toggle fastener										045031001

### Important note:

The clearance dimensions for the length and width on the top rim of the container is approx. 10 mm smaller than the internal dimensions



# Aluminium transport boxes

More than 20 sizes in different model variants – the right box for any requirement

Our aluminium crates are available in many sizes. They have important properties: lightweight, stable and durable. Your valuable objects are simply well packed for transport, storage and protection against external influences.

## Transport box options:



Walls with beadings (rips)



Spring-drop handle



Toggle fastener with an anti-crushing mechanism continuously protects the seal against deformation



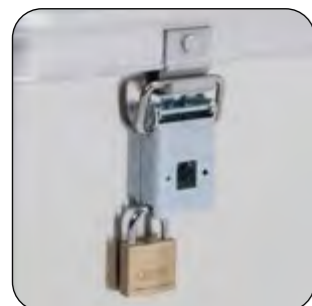
Cylinder lock in the toggle fastener



Divider wall with guidance



Foam insert



Drill hole for padlock with a shackle thickness of 6.5 mm or seals is possible



Hinges



Scratch-resistant surface



Add-on castor set from a length of 800 mm



Document frame



Lacquering





# Special solutions for boxes and crates

Tailor-made solutions are our trademark!

Every industry has its individual requirements that cannot always be met with standard solutions. We will show you some examples from our decades of experience with successful projects in the following areas: healthcare, automotive industry, pharmaceutical industry, electrical industry, intralogistics, textile industry etc.

Gmöhling was the inventor of the world's first foldable box for the Berlin Airlift.

Please do not hesitate to contact us!



Lacquered universal box, lid with checker plate



Design box



Stacking container, extra long



Mobile transport box with a forklift pocket for long goods



Foldable stacking container



Stacking containers made of checker plate



Transport boxes for use as a storage rack



Transport box with window and moulded foam



Transport box with divider wall system and inlay



## Storage and movement

The mobile box for easy and practical transport

The box can be moved easily and protects your contents against damage and the effects of the weather. The optimal solution for mobile transport impresses with its stability, low weight and scratch-resistant surface.

The roller box is equipped with 2 wheels and can even be transported easily when it is full.



### Advantages of the G<sup>®</sup>-roll BOX

- Easy handling thanks to 2 castors
- Low net weight
- Robust and dimensionally stable due to the all-round beading
- Dustproof and splashproof
- Structured, scratch-resistant surface
- Stackable, even with castors



## Roller box G®-roll BOX A 1599

Material: Scratch-resistant aluminium



G®-roll BOX  
A 1599/105

- Structured, scratch-resistant surface
- All-round, extremely stable profiles on the top rim of the container, base and lid ensure a durable container design
- Walls reinforced with all-round trapezoidal beadings (rips)
- Hinged lid, all-round rubber seal and 2 straps
- The lid can be removed if necessary
- Stable spring-drop handle on both short sides
- 2 toggle fasteners with the option of attaching seals and / or shackle locks / padlocks with a shackle thickness of up to 6.5 mm
- 30 mm corner radius
- Stackable
- 2 stable castors on one short side, 50 mm wheel, rubber tread



G®-roll BOX  
A 1599/150

Model number	Euro pallet size	Dimensions L x W x H (approx. mm)		Volume (approx. l)	Load capacity (approx. kg)	Weight (approx. kg)	Order no.
		internal	external				
A 1599 / 105 R	no	870 x 350 x 345	950 x 385 x 373	105	75	7	010159951
A 1599 / 150 R	no	975 x 415 x 375	1055 x 450 x 403	150	75	8.5	010159952
Cylinder lock for toggle fastener							045031001

### Important note:

The clearance dimensions for the length and width on the top rim of the container is approx. 10 mm smaller than the internal dimensions



## TIP



- The solution for the transport of heavy goods
- Protects your goods reliably for transport and storage

### Options:



Cylinder lock for toggle fastener

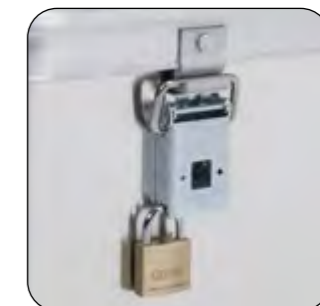


Embossing

### Details:



Add-on castor set consisting of a left and right castor



Drill hole for padlock with a shackle thickness of 6.5 mm or seals is possible

## Transport container, packaging and storage unit in one

Aluminium crates and baskets –  
The ultimate for intralogistics.

Open crates and stacking baskets are particularly in demand for intralogistics. They are available with smooth or perforated walls and with trapezoidal beadings (rips). We can also quickly realise your desired size, even in small quantities. Stacking baskets and open crates are perfect for optimising internal material flows.

They are suitable for transport and storage and can even be stacked as a storage rack. Lids are also optionally available.

### TIP

! You can find suitable container dollies from page 84 - 89



## Advantages of the G<sup>®</sup>-CRATE and G<sup>®</sup>-STACK

- Non-flammable, protection class 1
- Corrosion-resistant
- Low net weight
- Easy to clean
- Hygienic, sterilisable and odourless





## Transport crate G®-CRATE A 152

Material: aluminium



G®-CRATE  
A 152/FK 27



G®-CRATE  
A 152/FK 27 | Lid



G®-CRATE  
A 152/36

G®-CRATE  
A 152/FK52

- Smooth surface
- All-round, extremely stable profiles on the top rim of the container and bottom ensure a durable container design
- Walls reinforced with all-round trapezoidal beadings (ribs)
- 2 ergonomic integrated handles
- 30 mm corner radius
- Stackable and match to pallet dimensions (see table for exceptions)

► Other versions



## Model: Perforated transport crate G®-CRATE A 152/FK 35

- Perforated walls and base with 10 mm Ø hole, 22.5 x 22.5 mm hole spacing

### TIP



- Ergonomic and safe stacking thanks to the stacking rim
- Ideal for high stacks and when space is tight
- Also stackable with loose lid

Model number	Euro pallet size	Dimensions L x W x H (approx. mm)		Volume (approx. l)	Weight (approx. kg)	Load capacity (approx. kg)	Walls and bases	Order no.
		internal	external					
A 152 / 36	yes	548 x 348 x 205	578 x 378 x 230	36	3	50	solid	000015221
A 152 / 55	yes	548 x 348 x 305	578 x 378 x 330	55	3.5	50	solid	000015223
A 152 / 77	yes	728 x 548 x 205	758 x 578 x 230	77	4.5	50	solid	000015225
A 152 / 116	yes	728 x 548 x 305	758 x 578 x 330	116	5	50	solid	000015227
A 152 / 155	yes	728 x 548 x 405	758 x 578 x 430	155	5.5	50	solid	000015229
A 152 / FK 27	no	620 x 400 x 235	650 x 430 x 260	60	3.5	50	solid	000015203
A 152 / FK 35	no	620 x 400 x 315	650 x 430 x 340	80	4	50	solid	000015205
A 152 / FK 35	no	620 x 400 x 315	650 x 430 x 340	80	4	50	perforated	000015206
A 152 / FK 52	no	620 x 400 x 480	650 x 430 x 505	120	4.5	50	solid	000015207
Loose lid for A 152/FK								045004901

#### Important note:

The clearance dimensions for the length and width on the top rim of the container is approx. 10 mm smaller than the internal dimensions.

## Stacking basket G®-STACK A 1130

Material: aluminium



G®-STACK  
A 1130/1

- Smooth surface
- All-round, extremely stable profiles on the top rim of the container and bottom ensure a durable container design
- 2 ergonomic integrated handles
- 15 mm corner radius
- 2 or 3 plastic runners on the base
- Stackable and match to pallet dimensions (see table for exceptions)

► Other versions

## Model: Perforated transport basket G®-STACK A 113

- Walls and bottom perforated with 10 mm Ø holes, 22.5 x 22.5 mm hole spacing



G®-STACK  
A 113/3



G®-STACK  
A 113/3

G®-STACK  
A 1130/1

## TIP



- Ergonomic and safe stacking thanks to the stacking rim
- Ideal for high stacks and when space is tight
- Suitable for conveyors

Model number	Euro pallet size	Dimensions L x W x H (approx. mm)		Volume (approx. l)	Weight (approx. kg)	Load capacity (approx. kg)	Walls and bases	Order no.
		internal	external					
A 113 / 1	yes	544 x 340 x 270	564 x 360 x 288	50	2.5	40	perforated	000011308
A 113 / 2	no	703 x 436 x 270	723 x 456 x 288	82	4	50	perforated	000011310
A 113 / 3	no	703 x 436 x 400	723 x 456 x 418	122	4.5	50	perforated	000011312
A 1130 / 1	yes	544 x 340 x 270	564 x 360 x 288	50	3	40	solid	000113007
A 1130 / 2	no	703 x 436 x 270	723 x 456 x 288	82	4	50	solid	000113009

### Important note:

The clearance dimensions for the length and width on the top rim of the container is approx. 10 mm smaller than the internal dimensions.





# Good order created with aluminium

Stability and durability with a low weight

Open crates and stacking baskets are perfect for optimising internal material flows. They are suitable for transport and storage and can even be stacked as a storage rack.

## Options for transport crates and stacking baskets:



Stacking basket with container dolly



Stacking frame for easier stacking



Perforated walls and bottom, 10 mm Ø hole



Integrated handle



Bottom of model A 113 and A 1130 with plastic runners



Loose lid for A 152/FK



Document frame



Embossing

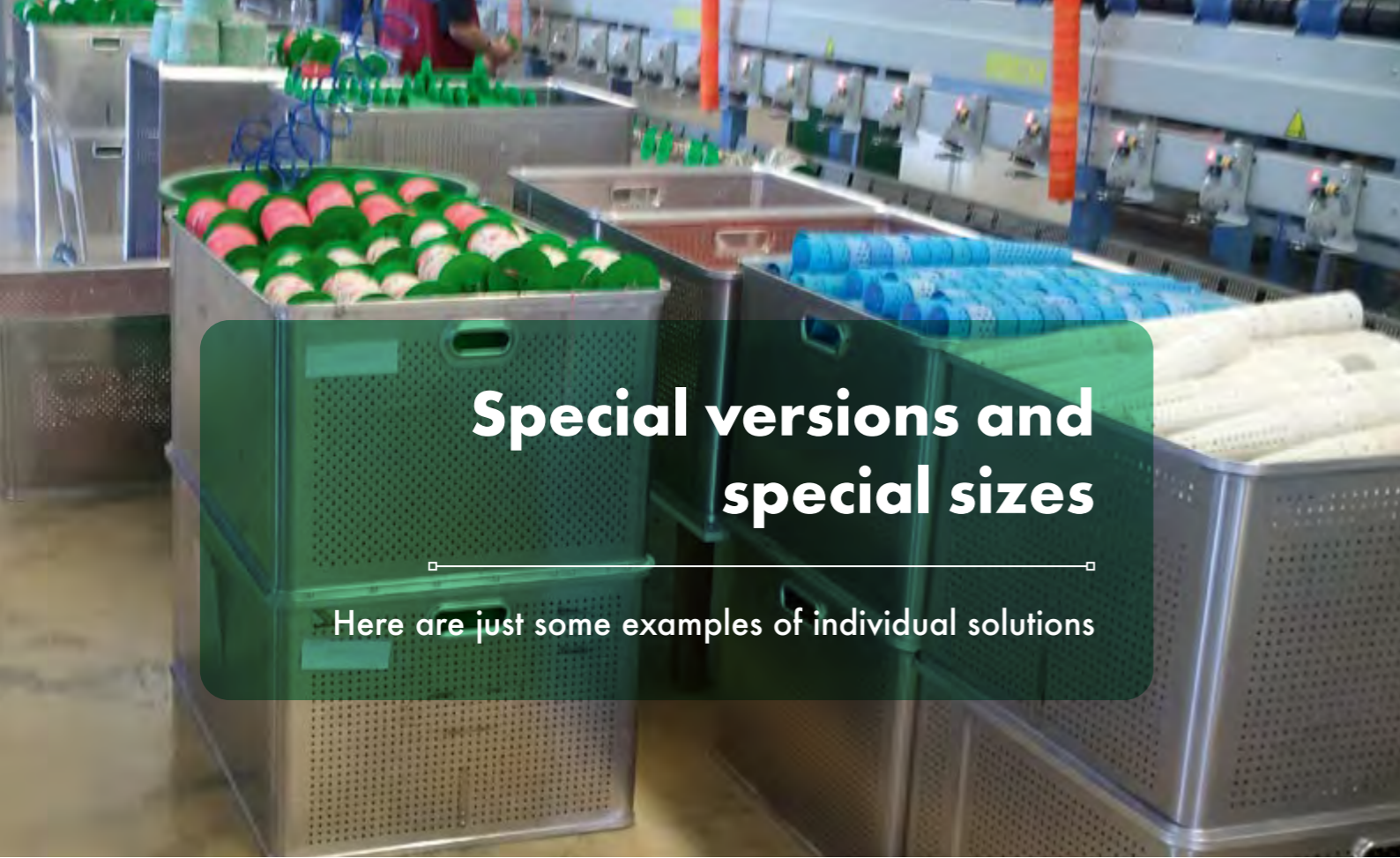


Anodisation, lacquering, powder-coating



Barcode





## Special versions and special sizes

Here are just some examples of individual solutions

Lacquered stacking baskets

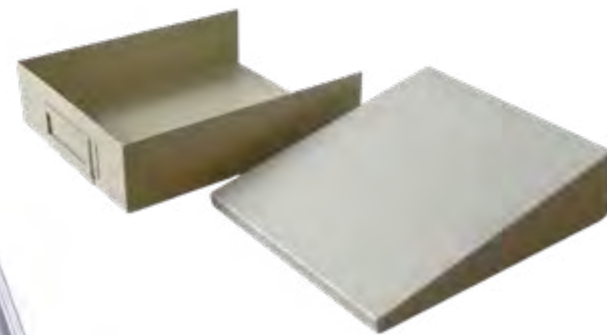


Perforated transport crates  
(e.g. for blood reserves)

We can also quickly realise your business requirements, even in smaller quantities.

Regardless of the size, surface, shape or mounting points for an automatic transport system that you need - do not hesitate to contact us!

Anodised perforated crate  
with inlay



Crate consisting of 2 parts.  
Top part anodised and bottom  
part plastic-coated



Anodised perforated crates  
(e.g. as machine housings)



## The indispensable container dolly

... for the easy handling of Gmöhling boxes, crates and baskets.

Our container dollies, also referred to as roller trolleys or dolly trolleys, are the perfect solution for effortless transport, even with heavy loads. We offer the container dollies in different sizes and loading heights.

Please let us know if you need a special size.

### Advantages of the G<sup>®</sup>-DOLLY

- Suitable for the transport of Gmöhling boxes, crates and baskets
- Low net weight
- Available in 2 versions
- Available with an ergonomic handle



## Container dolly G<sup>®</sup>-DOLLY C 915

Material: aluminium

- All-round profile frame
- Low version, 150 mm loading height
- Galvanised steel wheel housing, 100 mm wheel, non-marking solid rubber wheels, roller bearings and threadguards
- Wheel arrangement B or D



G<sup>®</sup>-DOLLY  
C 915/1



Wheel arrangement B:  
2 swivel castors and 2  
fixed castors



Wheel arrangement D:  
4 swivel castors

### ► Other versions



G<sup>®</sup>-STACK  
A 113/1 and A 1130/1  
and  
G<sup>®</sup>-DOLLY  
C 915/1

Model number	Wheel arrangement	Internal frame dimensions L x B (ca. mm)	Wheel (mm)	Load capacity (approx. kg)	Weight (approx. kg)		Order number for container dollies	
					without handle	with handle	without handle	with handle
C 915 / 1	B	575 x 370	100	200	4	5.5	228091551	228091561
C 915 / 1	D	575 x 370	100	200	4.5	6.0	228091555	228091565
C 915 / FK	B	642 x 424	100	200	4.5	6.0	228091554	228091564
C 915 / 2	B	724 x 459	100	200	4.5	6.0	228091552	228091562
C 915 / 2	D	724 x 459	100	200	5	6.5	228091556	228091566
C 915 / 4	B	772 x 572	100	200	5	6.5	228091559	228091569



G<sup>®</sup>-DOLLY  
C 913 / FK

## Model: Container dolly G<sup>®</sup>-DOLLY C 913

- High version, 440 mm loading height

Model number	Wheel arrangement	Internal frame dimensions L x B (approx. mm)	Wheel (mm)	Load capacity (approx. kg)	Weight (approx. kg)		Order number for container dollies	
					without handle	with handle	without handle	with handle
C 913 / 1	B	575 x 370	100	200	6.5	8.0	228091351	228091361
C 913 / 1	D	575 x 370	100	200	7.0	8.5	228091355	228091365
C 913 / FK	B	642 x 424	100	200	6.5	8.0	228091354	228091364
C 913 / 2	B	724 x 459	100	200	7.0	8.5	228091352	228091362
C 913 / 2	D	724 x 459	100	200	7.5	9	228091356	228091366
C 913 / 4	B	772 x 572	100	200	8.5	10	228091359	228091369

## TIP

- The perfect solution for the easy transport of all Gmöhling boxes, crates and baskets for intralogistics
- Suitable for heavy loads up to 200 kg
- We offer the container dollies in different sizes and loading heights for better ergonomics

Model number	Suitable for boxes on page 58 - 65	Suitable for crates on page 74 - 77	Suitable for baskets on page 78 - 79
C 915 / 1 C 913 / 1	A 1589 / 29 A 1589 / 42 - A 1599 / 42 A 1589 / 60 - A 1599 / 60 A 1589 / 73 - A 1599 / 73	A 152 / 36 A 152 / 55	A 113 / 1 A 1130 / 1
C 915 / FK C 913 / FK	A 1569 / FK 27 A 1569 / FK 35 A 1569 / FK 52	A 152 / FK 27 A 152 / FK 35 A 152 / FK 52	-
C 915 / 2 C 913 / 2	-	-	A 113 / 2 A 113 / 3 A 1130 / 2
C 915 / 4 C 913 / 4	2 x A 1589 / 29 2 x A 1589 / 42 - 2 x A 1599 / 42 2 x A 1589 / 60 - 2 x A 1599 / 60 2 x A 1589 / 73 - 2 x A 1599 / 73 A 1589 / 156 - A 1599 / 156 A 1589 / 239 - A 1599 / 239	2 x A 152 / 36 2 x A 152 / 55 A 152 / 77 A 152 / 116 A 152 / 155	-





**“Serious”  
transport problems?**

Not with Gmöhling container dollies!

Aluminium container dollies are small, lightweight, versatile and extremely efficient. For the easy transport of all GMÖHLING boxes crates and baskets. The perfect solution for internal transports.



Corner C 913



Corner C 915



Swivel castors

### Container dolly options:



Anodised aluminium handle



### Our special solutions for container dollies:



Container dolly with 2 shelves



Table trolley

## High-quality transport cases

for the special storage and transport of valuable and sensitive goods

Our transport cases, also referred to as equipment cases, are specifically designed for the storage and transport of valuable and sensitive goods. These cases can be optionally fitted with foam blocks or pyramid foam to ensure that your products arrive safely at their destination.

Individual foam inserts on request.

### Advantages of the G<sup>®</sup>-CASE

- Structured, scratch-resistant surface
- Safe storage and transport of valuable and sensitive products
- Corrosion-resistant
- Low net weight
- Can be equipped with foam blocks or pyramid foam

### TIP

- High degree of stability even for tools, measuring instruments and equipment
- Lockable with a combination lock or cylinder lock
- Model A 1489 can be fully opened
- Model A 1539 stable version with a seal in the lid





## Transport cases G®-CASE A 1439

Material:  
Scratch-resistant aluminium

- Structured, extremely scratch-resistant surface
- Top and bottom part made of aluminium profiles with protective all-round reinforced rims
- Hinged lid
- Stable carry handle on the front
- 2 locks, optionally with a combination lock or toggle fastener

### ▶ Other versions



G®-CASE  
A 1439/19 TF



G®-CASE  
A 1439/19 CL I Pyramid foam

Model number	Euro pallet size	Dimensions L x W x H (approx. mm)		Volume (approx. l)	Load capacity (approx. kg)	Weight (approx. kg)	Order no.
		internal	external				
A 1439 / 19   Toggle fasteners	no	440 x 360 x 115	460 x 380 x 122	19	20	2.4	010143901
A 1439 / 19   Combination locks	no	440 x 360 x 115	460 x 380 x 122	19	20	2.5	010143902
A 1489 / 24   Toggle fasteners	no	440 x 360 x 150	460 x 380 x 157	24	20	3	010148901
A 1489 / 24   Combination locks	no	440 x 360 x 150	460 x 380 x 157	24	20	3	010148902
A 1539 / 36   Cylinder locks	no	620 x 400 x 145	660 x 440 x 170	36	20	4.5	010153901
Foam blocks for A 1439 / 19							045143902
Pyramid foam for A 1439 / 19							045143901
Pyramid foam for A 1489 / 24							045148901
Pyramid foam for A 1539 / 36							045153901

### Important note:

The clearance dimensions for the length and width on model A 1539 is approx. 10 mm smaller than the internal dimensions.



G®-CASE  
A 1489/24 CL

## Model: Transport case G®-CASE A 1489

- Case can be fully opened



G®-CASE  
A 1539/36

## Model: Transport case G®-CASE A 1539

- All-round, extremely stable rim profiles on the case and lid ensure a durable case design
- Hinged lid and all-round rubber seal
- The lid can be removed if necessary
- 2 toggle fasteners with cylinder lock

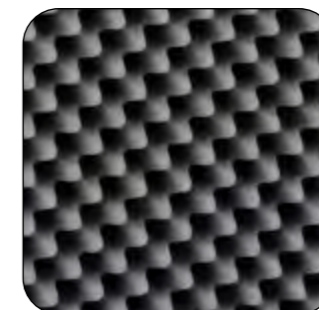
Case comparison	A 1439	A 1489	A 1539
Name	<b>G®-CASE A 1439</b>	<b>G®-CASE A 1489</b>	<b>G®-CASE A 1539</b>
Material surface	scratch-resistant	scratch-resistant	scratch-resistant
Material thickness	1 mm	1 mm	1 mm
Strap	no	no	no
Stackable	to a limited extent	to a limited extent	yes
Locks	Toggle fastener, Combination lock	Toggle fastener, Combination lock	Toggle fastener with cylinder lock
Removable lid	no	no	yes
Foam accessories	Foam blocks and pyramid foam	Pyramid foam	Pyramid foam



## Special features:

Versatile - Stable - Practical

### Transport case options:



Pyramid foam



Foam blocks

### Special solutions:



Service case



Champagne case



Case with acrylic glass and customised foam - trumpet to go



Design case

Our cases are used for highly sensitive electronics, such as measuring instruments and test equipment, for transporting precious metals, for sports equipment, telecommunications equipment, high-value Hi-Fi components, laptops or musical instruments...



Carry handle



Toggle fastener



Combination lock



Cylinder lock



## TOP SECRET

... for the optimal and secure organisation of data disposal!

Gmöhling data disposal containers are available in different sizes and versions to ensure that even sensitive data and files are securely and optimally collected. Complying with the EU-General Data Protection Regulation (GDPR) up to security class 3.

Material subject to data protection can be collected in our data disposal containers, also referred to as file containers, and then transported for destruction as required by law. These containers can be equipped with various locking systems as required and naturally prevent unauthorised third party access to the data.

## Advantages of the G<sup>®</sup>-DOCU

- Secure and optimum collection and disposal of sensitive data and files in accordance with the BSDG and GDPR.
- Lid with insertion slot to protect against unauthorised access
- A choice of various locking systems
- Easy handling and ergonomic, even at maximum load



**Data disposal container**  
**G®-DOCU D 1009/80**  
**and D 1009/120**

Material: aluminium

- Smooth surface
- All-round, extremely stable rim profiles at the top and bottom ensure a durable container design
- Hinged lid with 2 straps and a 300 x 27 mm insertion slot with hand-entry guard
- 1 toggle fastener with cylinder lock
- 1 spring-drop handle on 2 sides
- 4 swivel castors, 50 mm diameter wheel, non-marking polyurethane wheels and plain bearings

► Other versions



G®-DOCU  
D 1009/80



G®-DOCU  
D 1009/80

G®-DOCU  
D 1009/120



Model:  
**Data disposal container**  
**G®-DOCU A 1569/50 E**

- Hinged lid without retaining straps with 300 x 30 mm insertion slot with hand-entry guard
- 2 toggle fasteners with cylinder locks
- Without wheels
- Without tether straps



G®-DOCU  
D 1009/80

**TIP**  
 ! Fits well under desks

Model number	Dimensions L x W x H (approx. mm)		Volume (approx. l)	Wheel (mm)	Load capacity (approx. kg)	Weight (approx. kg)	Lid with insertion slot	Cylinder locks	Order no.
	internal	external							
A 1569 / 50 E	420 x 335 x 370	455 x 370 x 395	50		50	4.5	yes	2	010156933
D 1009 / 80	400 x 350 x 575	435 x 385 x 650	80	50	50	6.5	yes	1	020100910
D 1009 / 120	500 x 400 x 575	535 x 435 x 650	120	50	50	7.5	yes	1	020100920



**Data disposal container**  
**G®-DOCU D 1009/240**

Material: aluminium

- Smooth surface
- All-round, extremely stable rim profiles at the top and bottom ensure a durable container design
- Hinged lid with 2 straps and a 420 x 27 mm insertion slot with hand-entry guard
- 1 toggle fastener with cylinder lock
- Ergonomic galvanised steel handle
- Steel axle with 2 wheels, 200 mm wheel, non-marking solid rubber wheels

► Other versions



G®-DOCU  
D 1009/240 ergo

G®-DOCU  
D 1009/240



Model:  
**Data disposal container**  
**G®-DOCU D 1009/240 S**

- Walls reinforced with all-round trapezoidal beading



Model:  
**Data disposal container**  
**G®-DOCU D 1009/240 ergo and**  
**D 1009/240 S ergo**

- Inner steel axle
- Easy handling due to lower tilt angle



Model:  
**Data disposal container**  
**G®-DOCU D 1009/120 H**

- Narrow version with 120 l volume

**TIP**

- Container G®-DOCU ergo for easy handling, ergonomics, even at maximum load
- Many locking systems available
- Containers can be made from scratch-resistant structured aluminium

Model number	Dimensions L x W x H (approx. mm)		Volume (approx. l)	Wheel (mm)	Load capacity (approx. kg)	Weight (approx. kg)	Lid with insertion slot	Cylinder locks	Order no.
	internal	external							
D 1009 / 240	450 x 550 x 990	575 x 690 x 1010	240	200	100	15	yes	1	020100901
D 1009 / 240 ergo	450 x 550 x 990	575 x 690 x 1010	236	200	100	14.5	yes	1	020100903
D 1009 / 240 S	450 x 550 x 990	575 x 690 x 1010	240	200	100	15	yes	1	020100902
D 1009 / 240 S ergo	450 x 550 x 990	575 x 690 x 1010	236	200	100	14.5	yes	1	020100904
D 1009 / 120 H	450 x 275 x 990	575 x 410 x 1010	120	200	100	11.5	yes	1	020100905
Insertion unit for D 1009 / 240 for disposing of files (see options on page 107)						5		1	045007010

## Data disposal container G®-DOCU D 3009 E1HS

Material: aluminium



G®-DOCU  
D 3009/415 E1HS

- Smooth surface
- All-round, extremely stable rim profiles at the top and bottom ensure a durable trolley design
- Extremely stable, interlocking clinching of the aluminium profiles and walls
- Walls reinforced with all-round trapezoidal beadings (ribs)
- Hinged lid with 2 straps and a 420 x 27 mm insertion slot with hand-entry guard
- 1 toggle fastener with cylinder lock
- Stable undercarriage support made of galvanised steel
- Galvanised steel wheel housing, non-marking solid rubber wheels, roller bearings and threadguards
- Swivel castors with brakes in accordance with European standard EN 1757-3
- Wheel arrangement B



Wheel arrangement B:  
2 swivel castors with  
brakes and 2 fixed  
castors

### ► Other versions



G®-DOCU  
D 3009/415 E1HS

Model number	Dimensions L x W x H (approx. mm)		Volume (approx. l)	Wheel (mm)	Load capacity (approx. kg)	Weight (approx. kg)	Lid with insertion slot	Cylinder locks	Order no.
	internal	external							
D 3009 / 415 E1HS	1000 x 640 x 650	1050 x 700 x 840	415	125	250	26	yes	1	220300901
D 3009 / 415 E2HS	1000 x 640 x 650	1050 x 700 x 840	415	125	250	26	yes	2	220300903
D 3009 / 415	1000 x 640 x 650	1050 x 700 x 840	415	125	250	26	no	optional 2	220300841
D 3009 / 656 E2HS	1250 x 700 x 750	1300 x 750 x 940	656	125	250	32.5	yes	2	220300905
D 3009 / 656	1250 x 700 x 750	1300 x 750 x 940	656	125	250	32.5	no	optional 2	220300845
Cylinder lock for toggle fastener									045031001



G®-DOCU  
D 3009/656 E2HS

Model:

## Data disposal container G®-DOCU D 3009 E2HS

- 2 toggle fasteners with cylinder locks



G®-DOCU  
D 3009/415

Model:

## Data disposal container G®-DOCU D 3009

- Optionally with cylinder locks in the toggle fasteners
- Closed lid

## TIP



- Special insertion shafts are possible for files and other data storage media, such as hard disks, credit cards etc.
- You can find more trolley options on page 10 - 13



**Data disposal container**  
**G®-DOCU D 3709 E2HS**

with a front panel, up to half of which can be folded down

Material: aluminium



G®-DOCU  
D 3709/650 E2HS



G®-DOCU  
D3709/650 E2HS

- Smooth surface
- All-round, extremely stable rim profiles at the top and bottom ensure a durable trolley design
- Extremely stable, interlocking clinching of the aluminium profiles and walls
- Walls reinforced with all-round trapezoidal beading, front and slide down wall without beading
- Hinged lid with 2 straps and 500 x 40 mm insertion shaft with hand-entry guard
- 2 toggle fasteners with cylinder locks
- Stable undercarriage support made of galvanised steel
- Galvanised steel wheel housing, non-marking solid rubber wheels, roller bearings and threadguards
- Swivel castors with brakes in accordance with European standard EN 1757-3
- Wheel arrangement B



Wheel arrangement B:  
2 swivel castors with brakes and 2 fixed castors

► Other versions



G®-DOCU  
D 3709/650



G®-DOCU  
D 3709/650

Model:  
**Data disposal container**  
**G®-DOCU D 3709**

- Optionally with cylinder locks in the toggle fasteners
- Closed lid

**TIP**

- Front flap enables easy manual unloading
- You can find more trolley options on page 14 - 15

Model number	Dimensions L x W x H (approx. mm)		Volume (approx. l)	Wheel (mm)	Load capacity (approx. kg)	Weight (approx. kg)	Lid with insertion slot	Cylinder locks	Order no.
	internal	external							
D 3709 / 650 E2HS	1250 x 645 x 800	1300 x 700 x 990	650	125	250	37	yes	2	220370834
D 3709 / 650	1250 x 645 x 800	1300 x 700 x 990	650	125	250	37	no	optional 2	220370833
Cylinder lock for toggle fastener									045031001

# Data disposal

Professional – Permanent – Efficient

The disposal containers are equipped in such a way as to enable the secure collection and disposal of data in accordance with the requirements of the EU-General Data Protection Regulation (GDPR) up to security class 3. Insertion slots with a hand-entry guard are just as much part of the professional features as robust fasteners and hinges as well as reliable locks.



## Data disposal container options:



Insertion unit for G®-DOCU D 1009/240 for disposing of files; 405 x 100 mm insertion shaft with hand-entry guard; insertion slot function in the lid remains unaffected



Digital lock meets the requirements of security class 3



Combination lock



Insertion slot



Insertion shaft



Ergonomic handle



Embossing and/or consecutive numbering



Stacking corners



PVC bumper on the lid



Steel axle



Ergo version with ergonomic tilt angle



Wheel brake



Spring flap optionally with locking



Slam lock with deep embossing



Gravity lock



# Which container meets my requirements?

Create your own disposal concept

A tailor-made disposal concept will help your company to dispose of sensitive data quickly, efficiently and in an environmentally manner and to safely dispose of any other waste. We will be happy to assist and advise you!

Please do not hesitate to contact us!



Data disposal container with emptying device for CDs or DVDs



Waste container with paper roll



Tiltable skip



Disposal container for collecting different types of waste



Data disposal container with insertion unit for disposing of files and lifting frame for automatic emptying (gripper rake)



Art in the office



Disposal trolley suitable for a AGV system and for automatic emptying



Data disposal container with special insertion unit for disposing of files

# Recycling is worth it ...for the sake of the environment

The Gmöhling waste and recyclable collecting station  
helps you with waste separation

Waste separation is essential in the commercial and private sector. Conscientious recycling and reprocessing protects not only the environment but also keeps your costs down. The use of an anodised aluminium surface means that the container can be cleaned easily and is therefore suitable for hospitals, for instance.

For example, collect your recyclables in rest areas, production plants, waiting rooms, offices, kitchens etc.



## Advantages of the G®-COLLECT

- 4 sizes - the right one for everyone
- Fire-resistant and odour-inhibiting
- Elegant appearance and perfect cleaning due to the anodised aluminium
- Maximum hygiene through easy use with a foot pedal
- Maximum mobility thanks to 4 swivel castors, 2 of which have brakes



## Waste and recyclables collecting station G<sup>®</sup>-COLLECT X 2001

Material: anodised aluminium



- Anodised surface
- For collecting and separating waste and recyclables
- Collection container with 1 compartment
- One 45 l plastic container can be individually removed from each compartment
- Front-opening flap door opens with foot pedal
- Flap with blue plastic handle
- 1 door per compartment fitted on the rear side, each plastic container can be individually removed
- Hinged rear doors with magnetic catch
- Polypropylene wheels, 50 mm wheel, thermoplastic rubber tread, non-marking, precision ball bearings, electrically conductive
- Wheel arrangement D



Wheel arrangement D:  
4 swivel castors, 2 of  
which have brakes



G<sup>®</sup>-COLLECT  
X 2001/1

### ► Other versions

Model number	Wheel arrangement	Dimensions L x W x H (approx. mm)	Number of containers	Wheel (mm)	Load capacity (approx. kg)	Weight (approx. kg)	Order no.
X 2001 / 1	D	370 x 490 x 800	1	50	25	9.5	026200101
X 2001 / 2	D	720 x 490 x 800	2	50	50	14.5	026200102
X 2001 / 3	D	1070 x 490 x 800	3	50	75	20	026200103
X 2001 / 4	D	1420 x 490 x 800	4	50	100	25	026200104



Model:

## Waste and recyclables collecting station G<sup>®</sup>-COLLECT X 2001 / 2

- Collection container with 2 compartments



Model:

## Waste and recyclables collecting station G<sup>®</sup>-COLLECT X 2001 / 3

- Collection container with 3 compartments



Model:

## Waste and recyclables collecting station G<sup>®</sup>-COLLECT X 2001 / 4

- Collection container with 4 compartments

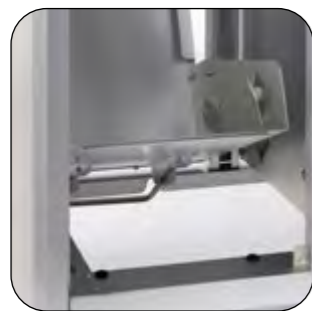




## Practical and elegant

For the consistent separation and correct disposal of waste

You can decide for yourself on the correct separation and disposal of waste with the 6 recycling pictogram labels: Organic waste, metal, glass, paper, plastic, residual waste.



Rear flap



Front-opening flap door



1 door per compartment on the rear side

Included in the delivery:



45 l plastic container



Organic waste



Metal



Glass



Paper



Plastic



Residual waste

A total of 6 adhesive labels for customer labelling with symbols for the following recyclables: organic waste, metal, glass, paper, plastic, residual waste

### TIP

- ! Recycling protects not only the environment but also keeps your costs down!
- 4 different versions: 1 compartment, 2 compartments, 3 compartments, 4 compartments



## The right choice for everyone!

Ideal for ballot papers up to DIN A4 size

The Gmöhling ballot box is perfect for general elections but also for elections or votes, such as at a workplace, club or school etc. The container can even be used for tombola and raffle draws.

The ballot box is made of sturdy aluminium. To prevent tampering, the boxes have a slot in the lid and can be locked; they can also be fitted with a seal.

The box is available in different versions - the right choice for everyone.



## Advantages of the G<sup>®</sup>-VOTE A 1569

- Ideal for use in elections, tombola and raffle draws
- Robust container for many years of use
- Protects against unauthorised access
- Different versions - the right one for everyone
- Low net weight
- For the insertion of ballot papers up to DIN A4 size, even when folded

## TIP

- The ballot box G<sup>®</sup>-VOTE A 1569/110 meets the requirements of section 51 of the Federal Elections Act
- The boxes have an insertion slot in the lid to prevent tampering
- Extremely durable and scratchproof due to the scratch-resistant aluminium
- Stackable, space-saving for transport and storage

## Ballot box G®-VOTE A 1569/110

Material: scratch-resistant aluminium

- Structured, extremely scratch-resistant surface
- All-round, extremely stable profiles on the container rim, bottom and lid

- Hinged lid with 250 x 20 mm insertion slot and all-round rubber seal
- 1 toggle fastener with simultaneous locking cylinder lock, incl. 2 keys; holes for sealing the container provided
- 1 stable spring-drop handle on 2 sides
- 30 mm corner radius
- Stackable

### ► Other versions



G®-VOTE  
A 1569/110

Model number	Dimensions L x W x H (approx. mm)		Volume (approx. l)	Lid with insertion slot	Cylinder locks	Load capacity (approx. kg)	Weight (approx. kg)	Order no.
	internal	external						
A 1569 / 50	422 x 335 x 368	457 x 370 x 398	50	yes	2	50	4.5	210156933
A 1569 / 110	350 x 350 x 900	385 x 385 x 930	110	yes	1	50	6	010156944



## Model: Ballot box G®-VOTE A 1569/50

- Smooth surface
- Hinged lid with 300 x 30 mm insertion slot
- 2 toggle fasteners with simultaneous locking cylinder locks

## Smart appearance

Meets the requirements of section 51 of the Federal Elections Act

Ballot boxes suitable for towns and cities, authorities, companies and clubs. From small elections, such as club and work council elections to municipal elections, state elections or national elections. You will always make the right choice with Gmöhling!



Insertion slot in the lid



Protection against unauthorised access



## Versatile, adaptable and convenient

these are the qualities of the universal serving trolleys

The Gmöhling multi-purpose trolley has a modular structure that has been thoughtfully designed down to the very last detail. You can choose between 2, 3 and 4 shelves. The height position and the number of shelves can also be subsequently changed. The shelves are available in 2 versions: aluminium or stainless steel.

**Save transport costs!**  
We offer the serving trolley  
as an efficient solution  
for self-assembly.



### Advantages of the G<sup>®</sup>-SERV

- Modular design available with a choice of 2, 3 or 4 shelves
- A choice of aluminium or stainless steel shelves
- Height position and number of shelves can be subsequently changed
- Practical for a wide range of uses

## Serving trolley G®-SERV E 9501 A | E 9502 A with aluminium shelves

Material: anodised aluminium

- Modular design available with a choice of 2, 3 or 4 shelves
- Available in 2 sizes



- Anodised shelves
- Shelves with an all-round, raised profile rim made of anodised aluminium
- Shelves can be fully loaded up to 60 kg
- 25 x 25 mm square anodised aluminium pillar profiles on the short sides are also used as a handle
- Shelves screw to the handles
- 5 mounting positions allow for variable shelf spacing
- 4 grey bumpers with a diameter of 100 mm on each wheel
- Galvanised steel wheel housing, wheels with a thermoplastic rubber tread and plain bearings
- Wheel arrangement D



Wheel arrangement D:  
4 swivel castors, 2 of  
which have brakes

### ► Other versions



Model:

## Serving trolley G®-SERV E 9501 E | E 9502 E with stainless steel shelves

Material: anodised aluminium and  
polished stainless steel

- Polished stainless steel shelves
- Shelves with an all-round, raised profile rim made of anodised aluminium

## TIP

- Lightweight, stable and robust - ideal for any use
- Hygienic and easy to clean
- Suitable for the transport of food and crockery in the catering industry, hotel trade, care homes and hospitals as well as for the transport of goods in trade and industry

Model number	Wheel arrangement	External dimensions L x W x H (approx. mm)	Shelf size (approx. mm)	Shelf surface	Number of shelves	Compartment height (approx. mm)	Wheel (mm)	Load capacity (approx. kg)	Weight (approx. kg)	Order no.
<b>Anodised aluminium shelves</b>										
E 9501 / 2 A	D	820 x 570 x 975	700 x 445	Aluminium	2	540	125	120	11.5	223950102
E 9501 / 3 A	D	820 x 570 x 975	700 x 445	Aluminium	3	255	125	180	15	223950103
E 9501 / 4 A	D	820 x 570 x 975	700 x 445	Aluminium	4	160	125	240	18.5	223950104
E 9502 / 2 A	D	1060 x 740 x 975	935 x 615	Aluminium	2	540	125	120	13.5	223950202
E 9502 / 3 A	D	1060 x 740 x 975	935 x 615	Aluminium	3	255	125	180	18	223950203
E 9502 / 4 A	D	1060 x 740 x 975	935 x 615	Aluminium	4	160	125	240	22.5	223950204
<b>Polished steel shelves</b>										
E 9501 / 2 E	D	820 x 570 x 975	700 x 445	Stainless steel	2	540	125	120	15	223950112
E 9501 / 3 E	D	820 x 570 x 975	700 x 445	Stainless steel	3	255	125	180	20	223950113
E 9501 / 4 E	D	820 x 570 x 975	700 x 445	Stainless steel	4	160	125	240	25	223950114
E 9502 / 2 E	D	1060 x 740 x 975	935 x 615	Stainless steel	2	540	125	120	20	223950212
E 9502 / 3 E	D	1060 x 740 x 975	935 x 615	Stainless steel	3	255	125	180	27.5	223950213
E 9502 / 4 E	D	1060 x 740 x 975	935 x 615	Stainless steel	4	160	125	240	35	223950214



## Serving trolley

**G®-SERV E 9001 A | E 9002 A**  
**G®-SERV E 9001 E | E 9002 E**  
**for self-assembly**

- Basic version consists of 2 anodised pillars on the short sides with wheels, 2 shelves - either anodised aluminium or polished stainless steel and assembly material
- Flat pack delivery reduces freight costs and storage space
- Clear assembly instructions
- Modular design available with a choice of 2, 3 or 4 shelves
- Available in 2 sizes



Details



Basic Version



2 shelves

Model number	Wheel arrangement	External dimensions L x W x H (approx. mm)	Shelf size (approx. mm)	Shelf surface	Number of shelves	Compartment height (approx. mm)	Wheel (mm)	Load capacity (approx. kg)	Weight (approx. kg)	Order no.
<b>Anodised aluminium shelves</b>										
Basic version E 9001 A	D	820 x 570 x 975	700 x 445	Aluminium	2	540	125	120	11.5	223900102
Shelf E 9001 A			700 x 445	Aluminium	1			60	3.5	045900101
Basic version E 9002 A	D	1060 x 740 x 975	935 x 615	Aluminium	2	540	125	120	15	223900202
Shelf E 9002 A			935 x 615	Aluminium	1			60	5	045900201
<b>Polished steel shelves</b>										
Basic version E 9001 E	D	820 x 570 x 975	700 x 445	Stainless steel	2	540	125	120	13.5	223900112
Shelf E 9001 E			700 x 445	Stainless steel	1			60	4.5	045900111
Basic version E 9002 E	D	1060 x 740 x 975	935 x 615	Stainless steel	2	540	125	120	20	223900212
Shelf E 9002 E			935 x 615	Stainless steel	1			60	7.5	045900211

## Our special serving trolley solutions:



Serving trolley with 2 storage shelves and handle



Multi-purpose trolley



Equipment trolley for veterinarians



Table trolley



---

**We are certified!**  
Have confidence in our quality.

Scope of certification:  
Design, development, manufacturing and  
distribution of light alloy systems

---

**GMÖHLING Transportgeräte GmbH**  
Stadelner Hauptstr. 34  
90765 Fürth | Germany  
Tel. +49 (0) 911 7669-0  
Fax +49 (0) 911 7669-277  
info@gmoehling.com