

# HEMA

## CLAMPING SYSTEMS

**HEMA**



MASCHINEN- UND  
APPARATESCHUTZ GMBH



PROTECTION

CLAMPING  
&  
BRAKING

VISION

SERVICE

## WARRANTY

### Warranty conditions for clamping systems

The general terms and conditions of HEMA Maschinen- und Apparateschutz GmbH apply; these can be viewed at [www.hema-schutz.de](http://www.hema-schutz.de). The following additional points apply to the clamping system range of products:

#### RotoClamp

- Due to its construction, the tolerance range of the RotoClamp (tolerance: cylindricity) between the shaft and the clamp must be maintained within the defined range; a deviation from this range may result in damage to the housing or the diaphragm when in continuous operation. A deviation from the tolerance range results in loss of the warranty.
- The warranty period for RotoClamp Inside Standard is 12 months from the date of delivery or at most 1,000,000 clamping cycles (no emergency or brake clamping). In case of warranty, the customer must provide suitable proof of the actual number of clampings.  
The warranty period for RotoClamp Inside Active is 12 months from the date of delivery or at most 500,000 clamping cycles (no emergency or brake clamping). In case of warranty, the customer must provide suitable proof of the actual number of clampings.
- The Inside and Outside RotoClamp systems are ground to the nominal dimension at the manufacturer's, based on the axial location surface in the open state.

#### LinClamp

- The LinClamp S clamping elements are designed for static and dynamic clamping. LinClamp S safety clamping systems have a warranty of 12 months from the date of delivery, or at most 1,000,000 (S/SK)/ 100,000 (SA) clampings (no emergency stop braking) or 500 emergency stop brakings (brake only permissible with sinter linings; if other linings are used then this warranty and the features described do not apply). In case of warranty, the customer must provide suitable proof of the actual number of clampings.
- The LinClamp A clamping elements are designed for static functional clamping (no precision clamping). LinClamp A safety clamping elements have a warranty of 12 months after the date of delivery, but at most a clamping cycle of a maximum of 10,000 clampings (no emergency stop braking). In case of warranty, the customer must provide suitable proof of the actual number of clampings.
- The LinClamp S/SK/SA clamping elements are preset at the factory to the respective rail dimensions. The contact surfaces of the brake and clamping linings are pressed onto the free surfaces of the respective linear guide rail. The pressing procedure therefore does not influence the accuracy and lifetime of the mounting rail.

#### PClamp

- The PClamp clamping elements are designed for static clamping. PClamp safety clamping elements have a warranty of 12 months after the date of delivery, but at most a clamping cycle of a maximum of 1,000,000 clampings. In case of warranty, the customer must provide suitable proof of the actual number of clampings.
- The PClamp clamp elements are preset at the factory to the respective rod length and cylinder size.

#### DiskClamp

- For the individual warranty conditions of DiskClamp please see HEMA website.

The clamping elements are NOT intended for securing loads. Correct use of the clamping elements presupposes that these are only used within the possibilities laid out and described in the technical specifications. Other usages of the elements invalidate warranty.

Recommended operating temperature range for clamping systems is between 10°C and 45°C, at pneumatic operating pressure of 4 Bar or 6 Bar; medium: filtered compressed air (40 µm), dry or oiled.

During assembly, reconstruction, maintenance and repairs, the assembly instructions must be observed and the required equipment and accessories must be used. During all work on the clamping elements, the accident-prevention regulations as well as the VDE safety and assembly instructions valid in each case must be observed.

The operating and assembly instructions must be passed on to the installation engineer, the operator and the user.

# CONTENT

<b>GENERAL INFORMATION</b>	
Warranty .....	Page 2
Product finder .....	Page 3
Quality at HEMA .....	Page 50
<b>ROTOCLAMP / DISKCLAMP</b>	
RotoClamp / DiskClamp .....	Page 6
Advantages .....	Page 7
Comparison of operating principles .....	Page 8
Operating principle of the RotoClamp Inside .....	Page 9
Operating principle of the RotoClamp Outside .....	Page 10
Technical data of the RotoClamp S .....	Page 11
Technical data of the RotoClamp N .....	Page 12
Technical data of the RotoClamp L .....	Page 13
Technical data of the RotoClamp Y .....	Page 14
Technical data of the RotoClamp Outside S .....	Page 15
Technical data of the RotoClamp Outside N .....	Page 16
Technical data of the RotoClamp Outside XL .....	Page 17
Options/Installation .....	Page 18
Details of constructions .....	Page 19
Technical data of the DiskClamp .....	Page 20
Request form .....	Page 21
Demonstration examples .....	Page 22
<b>LINCLAMP</b>	
LinClamp .....	Page 24
Advantages .....	Page 25
Operating principle of the LinClamp .....	Page 27
Product overview .....	Page 28
Features LinClamp .....	Page 29
Research results .....	Page 31
Technical data of the LinClamp S .....	Page 32
Technical data of the LinClamp SK .....	Page 33
Technical data of the LinClamp SA .....	Page 34
Technical data of the LinClamp A .....	Page 35
Recommendations/Installation/Warranty .....	Page 36
Request form .....	Page 37
Demonstration examples .....	Page 38
<b>PCLAMP</b>	
P Clamp .....	Page 40
Advantages .....	Page 41
Operating Principle of the P Clamp .....	Page 42
Product overview .....	Page 43
Technical data of the P Clamp N .....	Page 44
Technical data of the P Clamp ISO .....	Page 45
Technical data of then P Clamp X, P Clamp E .....	Page 46
Request form .....	Page 47
Demonstration examples .....	Page 48

## PRODUCT FINDER

### ROTOCLAMP/DISKCLAMP

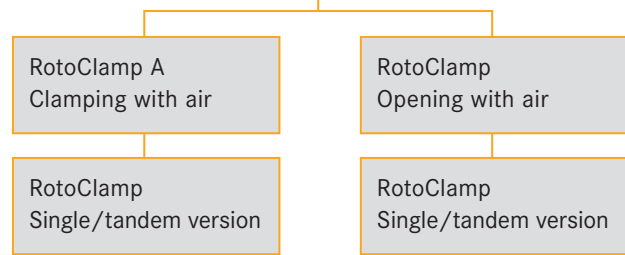
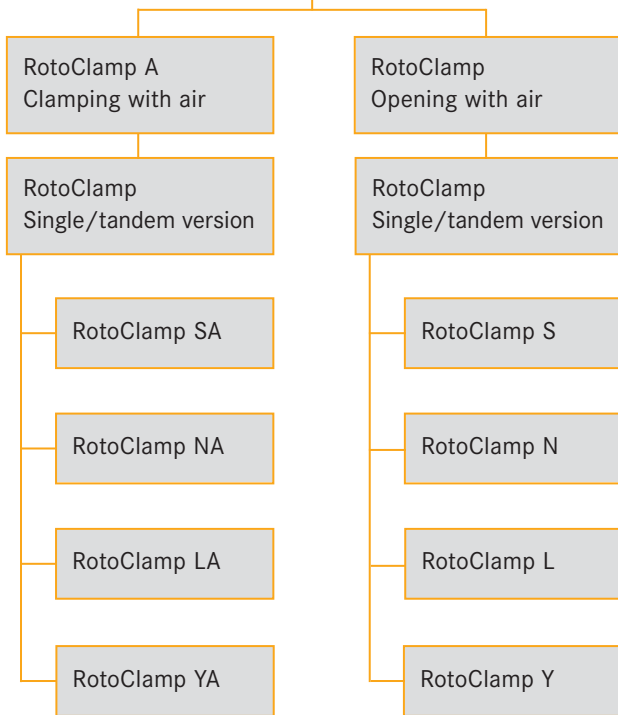
04	GENERAL INFORMATION
06	ROTOCLAMP DISKCLAMP
24	LINCLAMP
40	PCLAMP



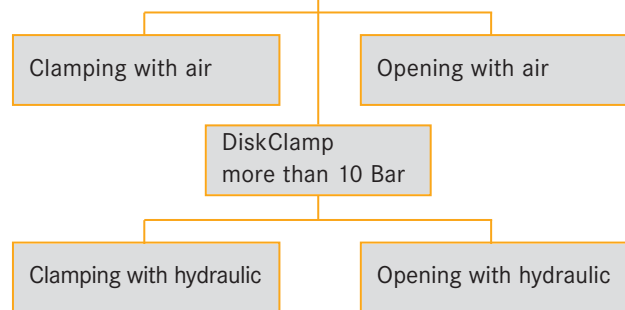
RotoClamp Inside  
4 or 6 Bar



RotoClamp Outside  
4 or 6 Bar



DiskClamp  
4 up to 6 Bar



#### Check list for product selection

Select the solution best suited to you from our wide range of products. The HEMA clamping systems provide an innovative and above all fast and compact solution for the most important applications. When making your selection, please consider whether you want to actively clamp or release using the applied compressed air based on the model. The operating pressure you select decides on the possible clamping force and is important when selecting the model. Tandem versions are available to increase holding forces.

#### RotoClamp

RotoClamp is ideal for rotary position clamping in axes, tables and swivel heads of machines. Two versions - Inside and Outside - allow various directions of the clamping function.

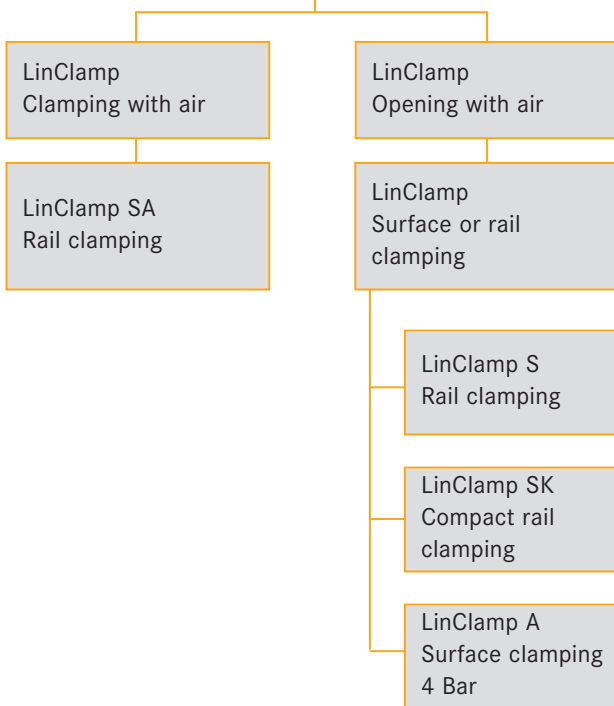
#### DiskClamp

DiskClamp is a security clamping system with emergency brake, to be specified on particular parameters.

## LINCLAMP



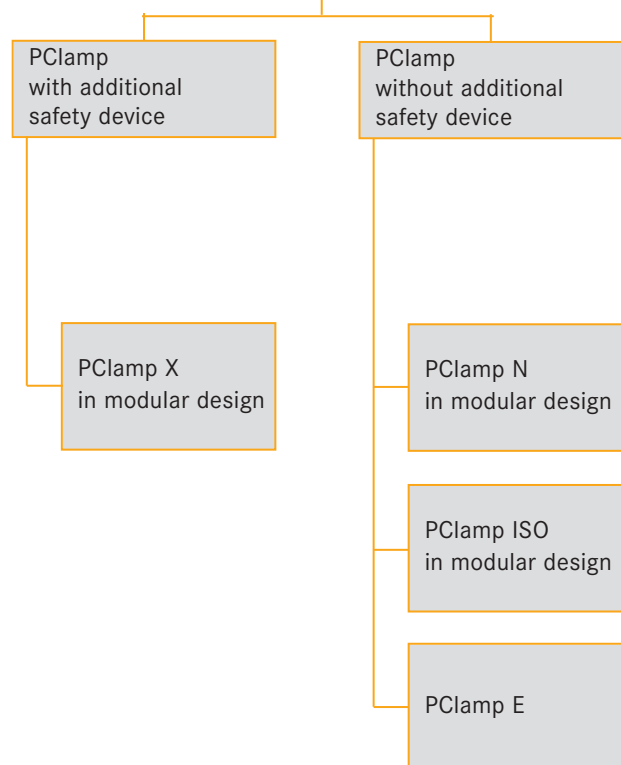
LinClamp  
4 or 6 Bar



## PCLAMP



PClamp  
4 or 6 Bar



### LinClamp

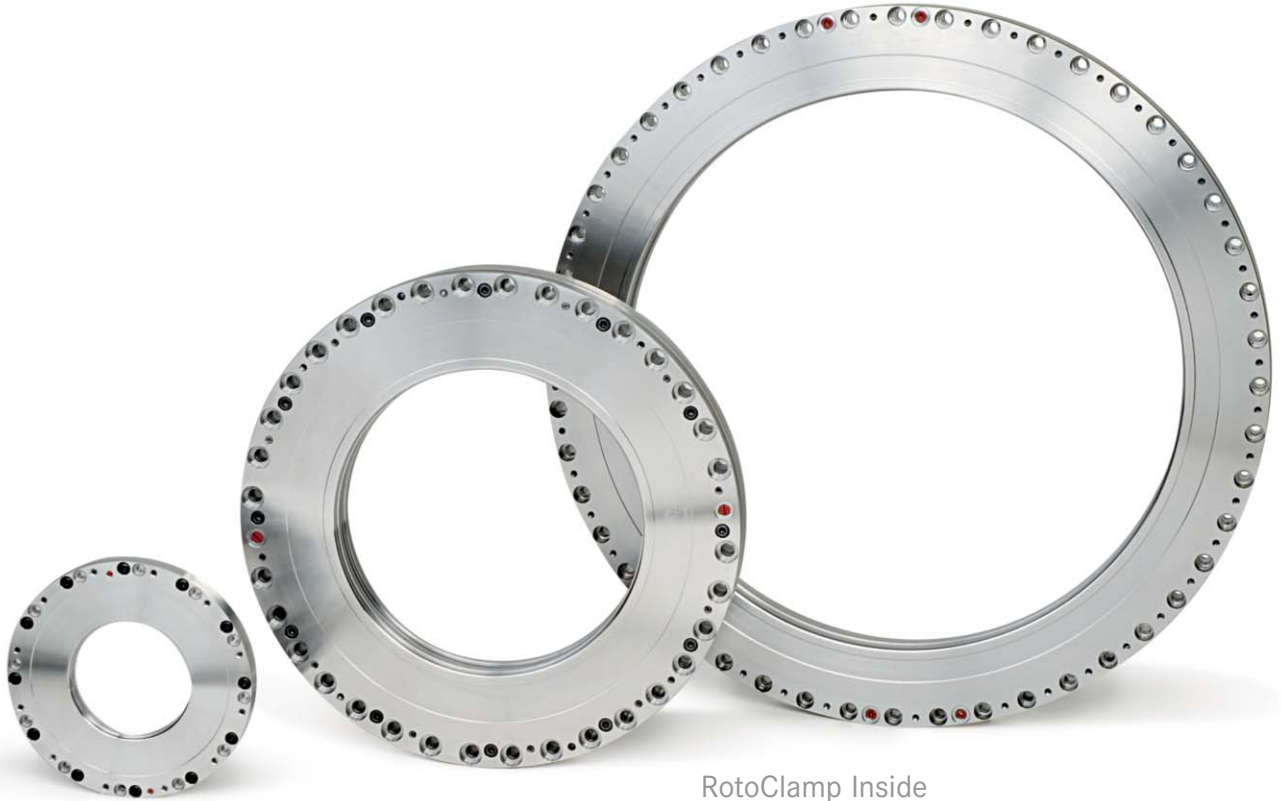
For single linear applications in which you do not want to exclude emergency braking, the LinClamp systems with sinter linings are recommended. Of course, you can also use LinClamp for almost all types of linear guide system or for processed surfaces for fast and safe clamping (steel coverings).

### PClamp

PClamp clamps and brakes rod loads safely and quickly. It can be adapted to standard systems such as pneumatic cylinders from leading manufacturers (e.g. SMC, Festo) or to individual solutions. Rotary clamping can also be achieved with PClamp. Certified systems from Employer's Liability Insurance Associations can be realised.

## ROTOCLAMP/DISKCLAMP

02	GENERAL INFORMATION
06	ROTOCLAMP DISKCLAMP
24	LINCLAMP
40	PCLAMP



RotoClamp Inside



RotoClamp Outside



DiskClamp

## ADVANTAGES

1

**Pneumatic clamping with high forces**

2

**Safety clamping RotoClamp Standard –  
If the air supply fails then system clamps**

3

**The values of hydraulic clamping  
are reached and exceeded**

4

**Low system costs in comparison  
to hydraulics**

5

**Simple installation**

6

**Compact design**

7

**Suitable for all shaft sizes**

## COMPARISON OF OPERATING PRINCIPLES

02

GENERAL INFORMATION

08

ROTOCLAMP DISKCLAMP

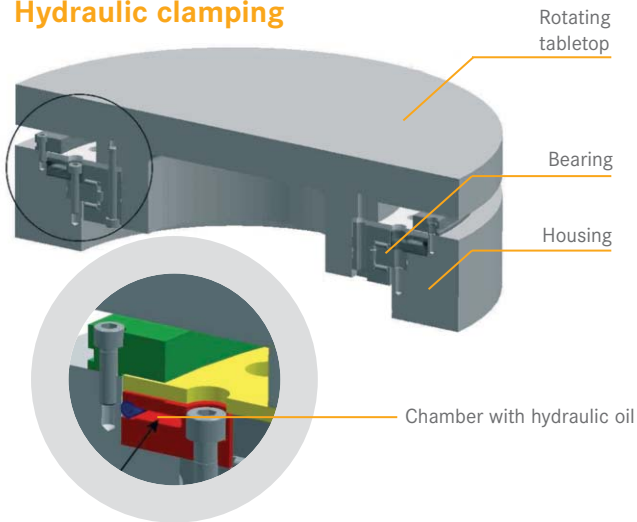
24

LINCLAMP

40

PCLAMP

### Hydraulic clamping



#### Operating principle of hydraulic clamping

**Function** The chamber formed by the expansion ring and the O-ring is supplied with hydraulic oil. The upper ring of the expansion ring is pressed upwards and away elastically and clamps the rotating brake disk between the fixed expansion and counter rings. Standard table sizes with 500x500 mm pallets achieve approx. 3000 to 4000 Nm holding torque at 80 to 120 Bar hydraulic pressure.

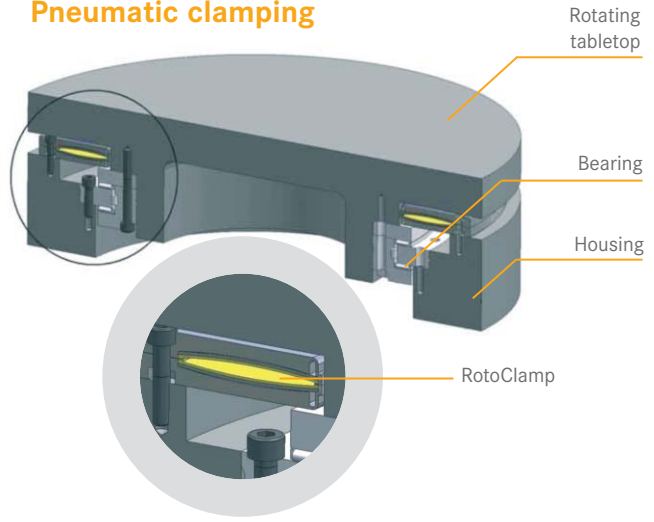
**Safety** No safety clamping. If there is a power loss then this axis is no longer clamped.

**Reaction times** Long and short times with high effort can be achieved.

**Costs** Precisely manufactured mechanical parts, expensive hydraulic valves, hydraulic piping incl. assembly times, assembly and matching of the mechanical parts; replaceable in part. Safety clamping can only be realised at great effort. Extra material costs of hydraulic vis-à-vis pneumatic. (hydraulic valves, flexible hydraulic lines, piping and screwed joints, relays due to higher rate of power consumption).

**Cleanliness** hydraulic.

### Pneumatic clamping



#### Operating principle of the RotoClamp

**Function** Clamps with spring actuator. Depressurizing the inner spring diaphragm chamber and ventilating the outer spring diaphragm chamber relaxes the diaphragm and presses on the radial contact surfaces at the inner and outer diameter of the spring. The clamping element is reformed elastically in the area of the clamping surface and presses on the shaft. Adding pressurized air to the inner spring diaphragm chamber (4 or 6 Bar) and venting the outer spring diaphragm chamber (4 or 6 Bar) bends the diaphragm and the distance between the two radial contact surfaces at the inner and outer diameter of the spring is shortened: The clamping surface lifts off from the shaft. You have the optional possibility of increasing the clamping force by extra loading of the outer spring diaphragm chamber with compressed air when clamped (4 or 6 Bar).

**Safety** Safety clamping by spring actuator. In case of a power loss, the axis is immediately clamped.

**Reaction times** Very short due to pneumatics. With quick air-vent valve and quick-acting gate valve attached directly to the clamping mechanism, you can realise extremely short clamping times.

**Costs** Low costs (in comparison to hydraulics), pneumatic valves and pneumatic piping, low installation costs, no cost for matching, easily replaceable, including safety clamp.

**Cleanliness** Very clean due to pneumatics.

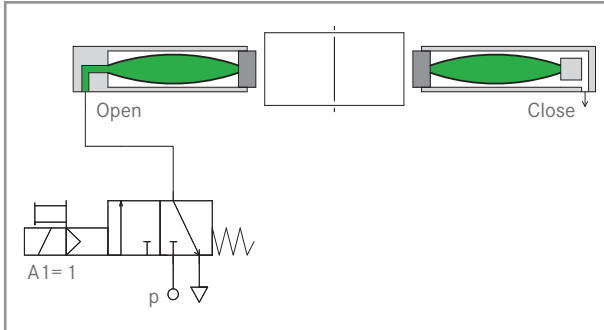
**Materials** Clamping-body housing hardened and tempered in tool steel, optional

- supported flange joint hardened with case-hardening steel,
- steel coated, alternative lining procedure possible.

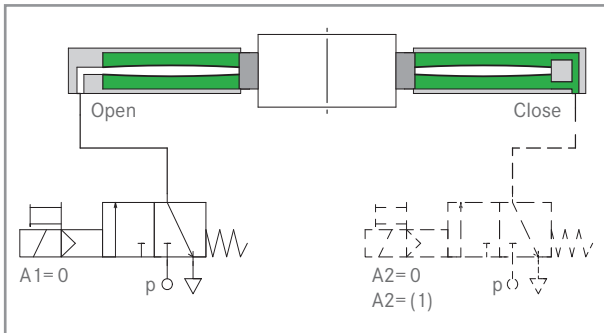


## OPERATING PRINCIPLE OF THE ROTOCLAMP INSIDE

### Function of the RotoClamp Inside

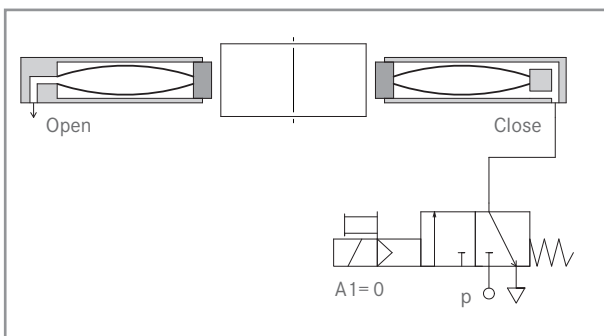


RotoClamp Inside standard, opening the spring actuator

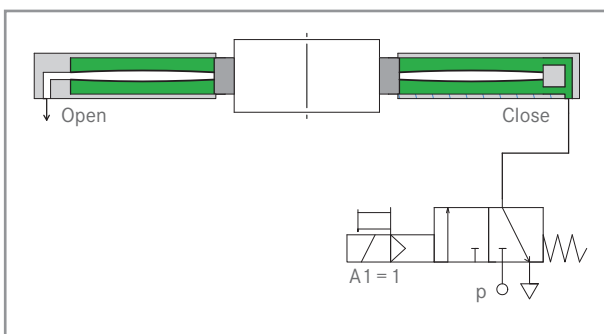


RotoClamp Inside standard, clamping spring actuator and secondary air (optional)

### Function of the RotoClamp Inside Active



RotoClamp Inside aktive, opened



RotoClamp Inside aktive, clamping with secondary air

 Compressed air

### Release RotoClamp Inside

Adding pressurized air to the inner spring diaphragm chamber (open, 4 or 6 Bar) and venting the outer spring diaphragm chamber (close) bends the diaphragm and the distance between the two radial contact surfaces at the inner and outer diameter of the spring is shortened: The clamping element is opened in this state.

### Clamping RotoClamp Inside

Depressurizing the inner spring diaphragm chamber (open) and venting the outer spring diaphragm chamber (close) relaxes the diaphragm and presses on the radial contact surfaces at the inner and outer diameter of the spring. The clamping element is reformed in the area of the clamping surface. The clamping element is closed in this state.

### RotoClamp Inside with secondary air

You have the optional possibility of increasing the clamping force by extra loading of the outer spring diaphragm chamber (close) with compressed air (4 or 6 Bar). The clamping element is closed in this state.

### Release RotoClamp Inside

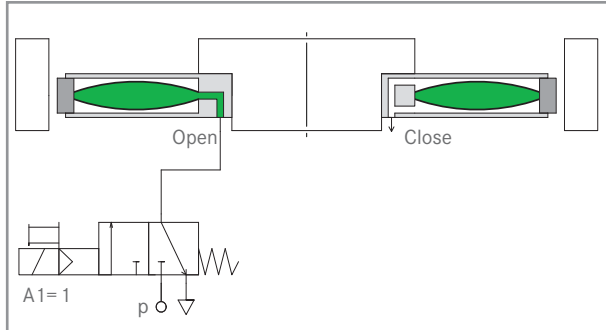
The spring diaphragm is bent on assembly and the distance between the two radial contact surfaces at the inner and outer diameter of the spring is reduced. The clamping element is opened in this state.

### Clamping RotoClamp Inside

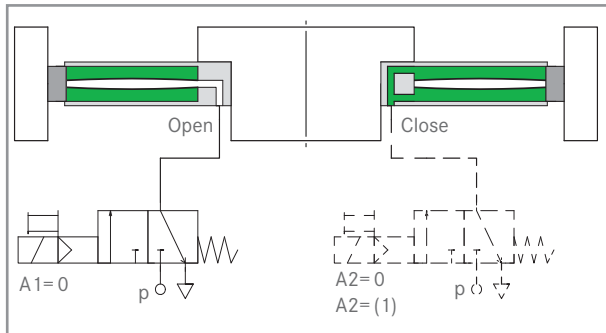
Depressurizing the inner spring diaphragm chamber (open) and venting the outer spring diaphragm chamber (close, 4 or 6 Bar) reforms the diaphragm and presses on the radial contact surfaces at the inner and outer diameter of the spring. The clamping element is reformed in the area of the clamping surface. The clamping element is closed in this state.

## OPERATING PRINCIPLE OF THE ROTOCLAMP OUTSIDE

### Function of the RotoClamp Outside

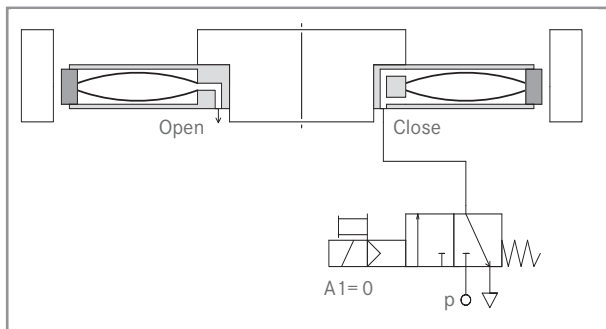


RotoClamp Outside standard, opening the spring actuator

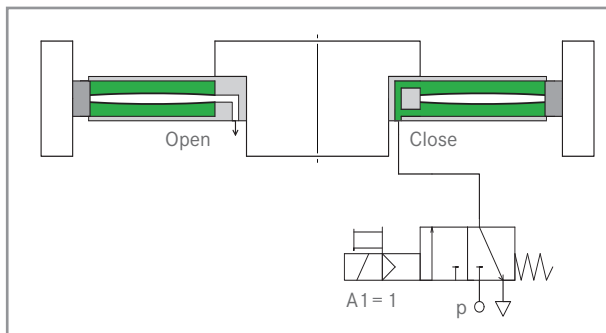


RotoClamp Outside standard, clamping optional with spring actuator and secondary air

### Funktion RotoClamp Outside Active



RotoClamp Outside Active, opened



RotoClamp Outside Active, clamping with secondary air

 Compressed air

#### Release RotoClamp Outside

Adding pressurized air to the inner spring diaphragm chamber (open, 4 or 6 Bar) and venting the outer spring diaphragm chamber (close) bends the diaphragm and the distance between the two radial contact surfaces at the inner and outer diameter of the spring is shortened. The clamping element is opened in this state.

#### Release (open) RotoClamp Outside

Depressurizing the inner spring diaphragm chamber (open) and venting the outer spring diaphragm chamber (close) relaxes the diaphragm and presses on the radial contact surfaces at the inner and outer diameter of the spring. The clamping element is reformed in the area of the clamping surface. The clamping element is closed in this state.

#### Clamping RotoClamp Outside with secondary air

You have the possibility of increasing the clamping force by extra loading of the outer spring diaphragm chamber (close) with compressed air (4 or 6 Bar). The clamping element is closed in this state.

#### Release RotoClamp Outside

The spring diaphragm is bent on assembly and the distance between the two radial contact surfaces at the inner and outer diameter of the spring is reduced. The clamping element is opened in this state.

#### Clamping (close) RotoClamp Outside

Depressurizing the inner spring diaphragm chamber (open) and venting the outer spring diaphragm chamber (close) with compressed air (4 or 6 Bar) reforms the diaphragm and presses on the radial contact surfaces at the inner and outer diameter of the spring. The clamping element is reformed in the area of the clamping surface. The clamping element is closed in this state.

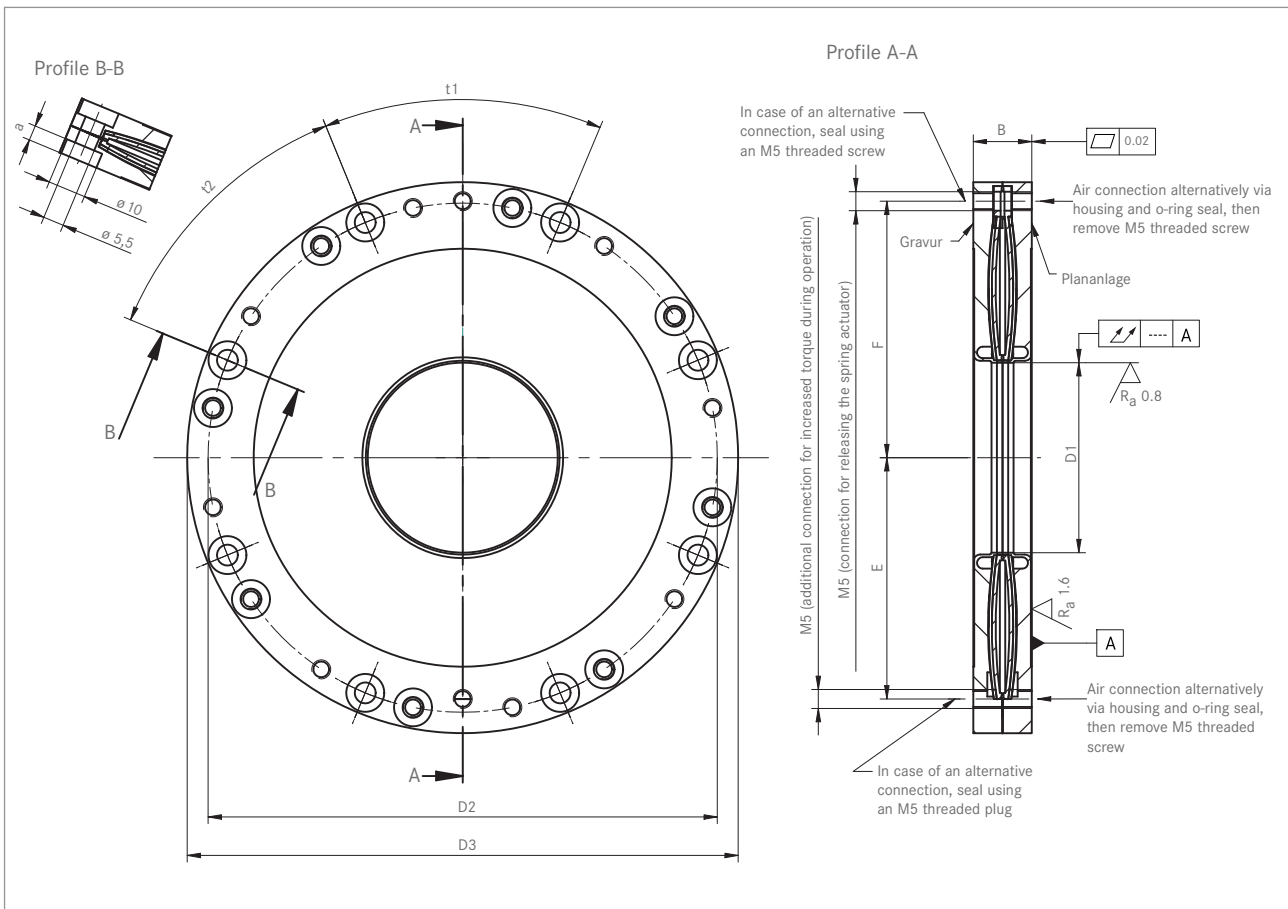
# ROTOCLAMP / DISKCLAMP

## TECHNICAL DATA

### Technical Data of the RotoClamp S

Size	D1 opened at rated pressure Pn = 4/6 Bar	Required shaft diameter	D2	D3	B	E	F	n number of fixing screws M5	a	t1	t2	Elastic holding torque at 0 Bar Pn = 6 Bar	Elastic holding torque with secondary air at 6 Bar Pn = 6 Bar	Elastic holding torque at 0 Bar Pn = 4 Bar	Elastic holding torque with secondary air at 4 Bar Pn = 4 Bar	Max. mass	Air requirements per max. stroke
Unit	[mm]	[mm]	[mm]	[mm]	[mm]	[mm]	[mm]	Quantity	[mm]	[°]	[°]	[Nm]	[Nm]	[Nm]	[Nm]	[kg]	[mL]
Tolerance	+0.03/+0.05	-0.01/-0.025	± 0.1		+0.4												
Roundness	0.01	0,01															
Surface finish	R <sub>a</sub> 0.8 μm	R <sub>a</sub> 0.8 μm															
RC 50 S	50	50	134	145	15	63.5	67.5	8	4	45	45	60	108	42	76	1.7	20
RC 60 S	60	60	144	155	15	68.5	72.5	8	4	45	45	84	153	59	107	1.9	20
RC 70 S	70	70	154	165	15	73.5	77.5	12	4	30	30	114	210	80	147	2.1	20
RC 80 S	80	80	164	175	15	78.5	82.5	12	4	30	30	150	270	105	189	2.3	20
RC 90 S	90	90	174	185	15	83.5	87.5	12	4	30	30	189	342	132	239	2.5	20

This technical data applies to the RotoClamp S Standard. Data for the RotoClamp S Active is available on request. Data for tandem versions calculable by factor 1.8.



GENERAL INFORMATION 02

ROTOCLAMP DiskCLAMP 11

LINCLAMP 24

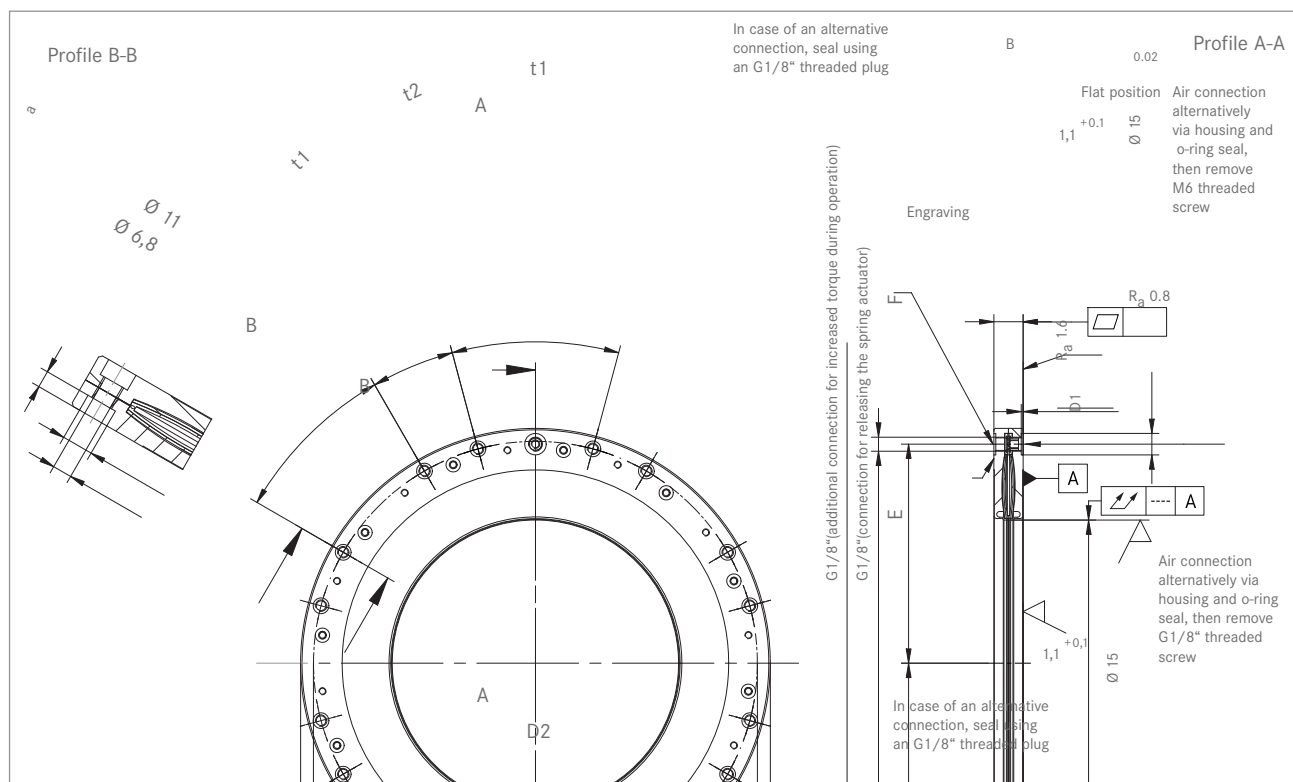
PCCLAMP 40

## TECHNICAL DATA

### Technical Data of the RotoClamp N

Size	D1 opened at rated pressure Pn = 4/6 Bar	Required shaft diameter	D2	D3	B	E	F	n number of fixing screws M6	a	t1	t2	Elastic holding torque at 0 Bar Pn = 6 Bar	Elastic holding torque with secondary air at 6 Bar Pn = 6 Bar	Elastic holding torque at 0 Bar Pn = 4 Bar	Elastic holding torque with secondary air at 4 Bar Pn = 4 Bar	Max. mass	Air requirements per max. stroke
Unit	[mm]	[mm]	[mm]	[mm]	[mm]	[mm]	[mm]	Quantity	[mm]	[°]	[°]	[Nm]	[Nm]	[Nm]	[Nm]	[kg]	[mL]
Tolerance	+0.04/+0.06	-0.01/-0.025	± 0.1		+0.4												
Roundness	0.01	0.01															
Surface finish	R <sub>a</sub> 0.8 μm	R <sub>a</sub> 0.8 μm															
RC 100 N	100	100	210	228	16	103	103	12	4	40	20	240	420	168	294	4.1	60
RC 120 N	120	120	230	248	16	113	113	12	4	40	20	336	600	235	420	4.6	60
RC 140 N	140	140	250	268	16	123	123	12	4	40	20	456	840	319	588	5.1	60
RC 160 N	160	160	270	288	16	133	133	12	4	40	20	600	1080	420	756	5.6	60
RC 180 N	180	180	290	308	20	137	143	16	6	30	15	750	1380	525	966	7.7	90
Tolerance	+0.05/+0.07	-0.01/-0.03	± 0.2		+0.4												
Roundness	0.015	0.015															
RC 200 N	200	200	310	328	20	147	153	16	6	30	15	930	1680	651	1176	8.3	90
RC 220 N	220	220	330	348	20	157	163	16	6	30	15	1110	2040	777	1428	8.9	90
RC 240 N	240	240	350	368	20	167	173	24	6	20	10	1350	2400	945	1680	9.5	90
RC 260 N	260	260	370	388	22	177	183	24	6	20	10	1560	2820	1092	1974	11.2	120
RC 280 N	280	280	390	408	22	187	193	24	6	20	10	1800	3240	1260	2268	11.9	120
RC 300 N	300	300	410	428	22	197	203	24	6	20	10	2100	3720	1470	2604	12.6	120
RC 320 N	320	320	430	448	22	207	213	24	6	20	10	2340	4200	1638	2940	13.3	120
RC 340 N	340	340	450	468	22	217	223	24	6	20	10	2580	4680	1806	3276	14.0	120

This technical data applies to the RotoClamp N Standard. Data for the RotoClamp N Active is available on request. Data for tandem versions calculable by factor 1.8.



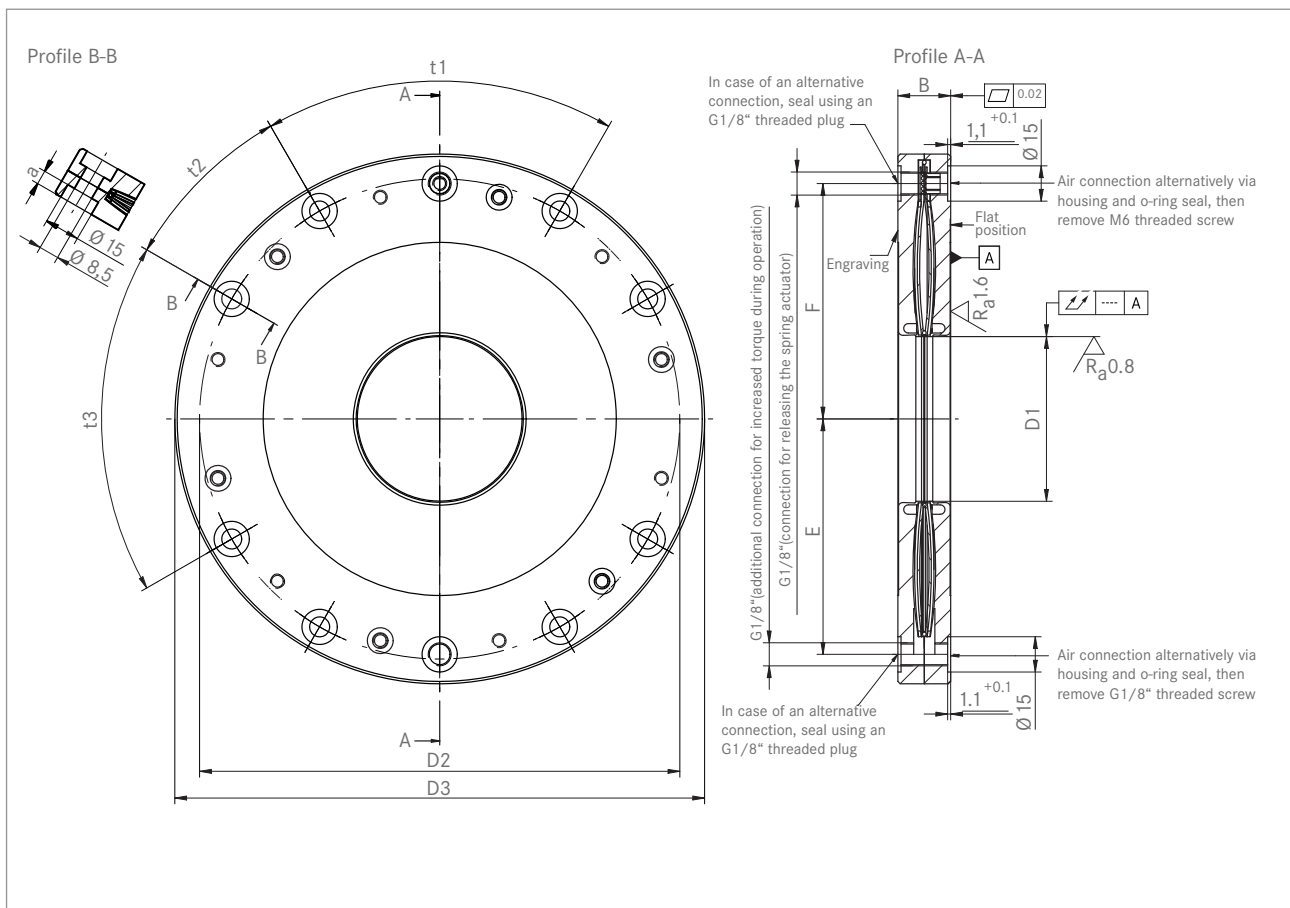
# ROTOCLAMP / DISKCLAMP

## TECHNICAL DATA

### Technical Data of the RotoClamp L

Size	D1 opened at rated pressure Pn = 4 Bar	Required shaft diameter	D2	D3	B	E	F	n number of fixing screws M8	a	t1	t2	t3	Elastic holding torque at 0 Bar Pn = 4 Bar	Elastic holding torque with secondary air at 4 Bar Pn = 4 Bar	Max. mass	Air requirements per max. stroke.
Unit	[mm]	[mm]	[mm]	[mm]	[mm]	[mm]	[mm]	Quantity	[mm]	[°]	[°]	[°]	[Nm]	[Nm]	[kg]	[mL]
Tolerance	+0.04/+0.06	-0.01/-0.025	± 0.1		+0.4											
Roundness	0.01	0.01														
Surface finish	R <sub>a</sub> 0.8 μm	R <sub>a</sub> 0.8 μm														
RC 70 L	70	70	204	225	22	100	100	8	6	60	30	60	114	210	6.2	50
RC 140 L	140	140	274	295	22	135	135	16	6	30	15	30	456	840	9.1	100
RC 180 L	180	180	314	335	22	155	155	22	6	30	15	15	750	1380	10.8	100
Tolerance	+0.05/+0.07	-0.01/-0.03	± 0.2		+0.4											
Roundness	0.015	0.015														
RC 200 L	200	200	334	355	22	165	165	22	6	30	15	15	930	1680	11.7	100
RC 240 L	240	240	374	395	22	185	185	34	6	20	10	10	1350	2400	13.3	150
RC 280 L	280	280	414	435	22	205	205	34	6	20	10	10	1800	3240	14.9	150
RC 320 L	320	320	454	475	22	225	225	34	6	20	10	10	2340	4200	16.7	150
RC 340 L	340	340	474	495	22	235	235	34	6	20	10	10	2580	4680	17.5	150

This technical data applies to the RotoClamp L Standard. Data for the RotoClamp L Active is available on request. Data for tandem versions calculable by factor 1.8.



GENERAL INFORMATION

02

ROTOCLAMP DiskCLAMP

13

LINCLAMP

24

PCCLAMP

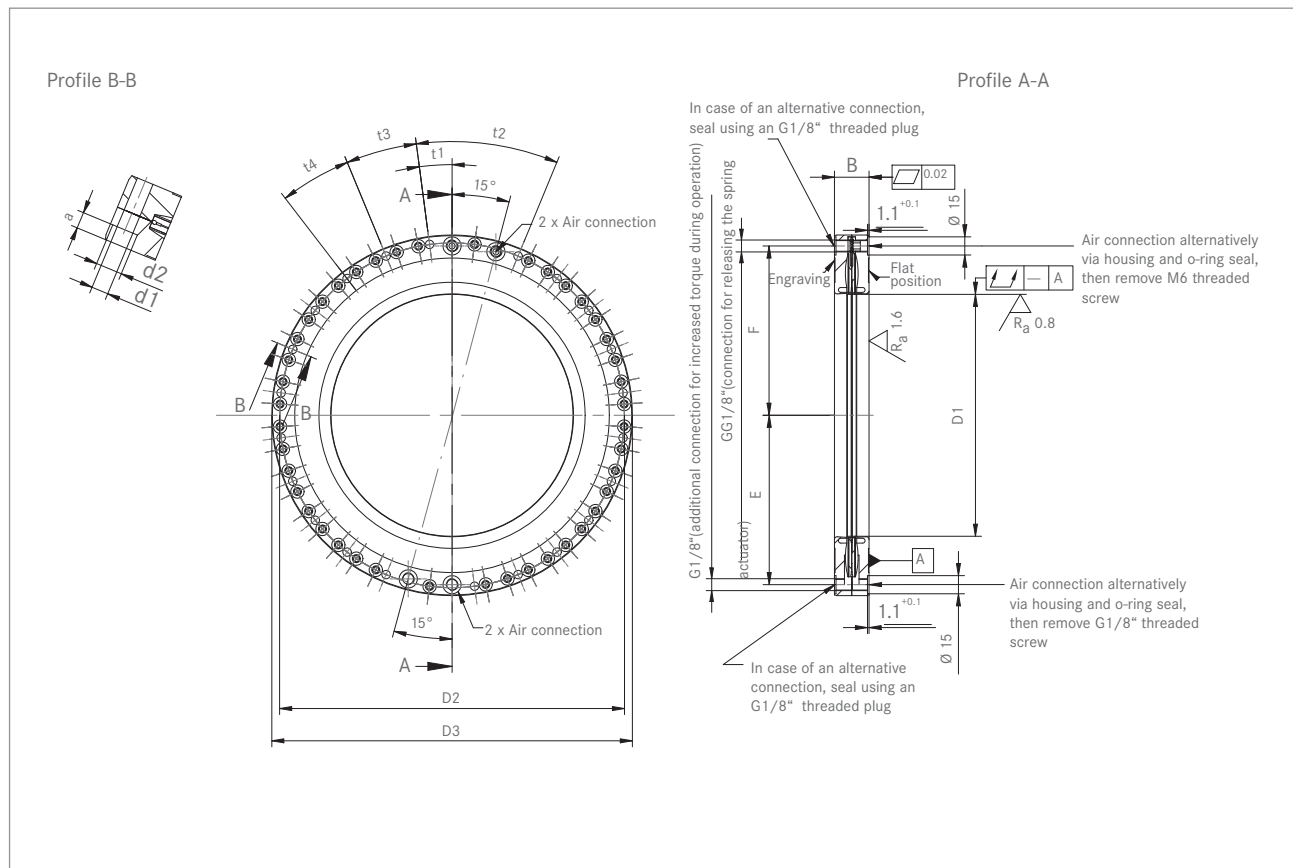
40

## TECHNICAL DATA

### Technical Data of the RotoClamp Y

Size	D1 opened at rated pressure Pn = 4/6 Bar	Required shaft diameter	D2	D3	B	E	F	n number of fixing screws	a	d1	d2	t1	t2	t3	t4	Elastic holding torque at 0 Bar Pn = 6 Bar	Elastic holding torque with secondary air at 6 Bar Pn = 6 Bar	Elastic holding torque at 0 Bar Pn = 4 Bar	Elastic holding torque with secondary air at 4 Bar Pn = 4 Bar	Max. mass	Air requirements per max. stroke
Unit	[mm]	[mm]	[mm]	[mm]	[mm]	[mm]	[mm]	Quantity	[mm]	[mm]	[mm]	[°]	[°]	[°]	[°]	[Nm]	[Nm]	[Nm]	[Nm]	[kg]	[mL]
Tolerance	+0.05/+0.07	-0.01/-0.03	± 0.2		+0.4																
Roundness	0.015	0.015																			
Surface finish	R <sub>a</sub> 0.8 μm	R <sub>a</sub> 0.8 μm																			
RC 200 Y	200	200	285	298	28	140	140	22 x M6	6.8	7	11	7.5	30	15	15	600	1000	420	700	8.5	100
RC 260 Y	260	260	365	383	30	183	183	24 x M8	9.0	9	15	5	10	20	10	1600	2900	1120	2030	14.5	100
RC 325 Y	325	325	430	448	30	215	215	24 x M8	9.0	9	15	5	10	20	10	2300	4100	1610	2870	17.5	120
Tolerance	+0.05/+0.07	-0.01/-0.03	± 0.2		+0.4																
Roundness	0.020	0.015																			
RC 395 Y	395	395	505	523	36	252.5	252.5	48 x M8	9	9	15	3.75	7.5	7.5	7.5	3300	6100	2310	4270	26	160
Tolerance	+0.06/+0.08	-0.01/-0.03	± 0.2		+0.4																
Roundness	0.020	0.015																			
RC 460 Y	460	460	580	598	36	290	290	48 x M8	9	9	15	3.75	7.5	7.5	7.5	4600	8400	3220	5880	32	240

This technical data applies to the RotoClamp Y Standard. Data for the RotoClamp Y Active is available on request. Data for tandem versions calculable by factor 1.8.



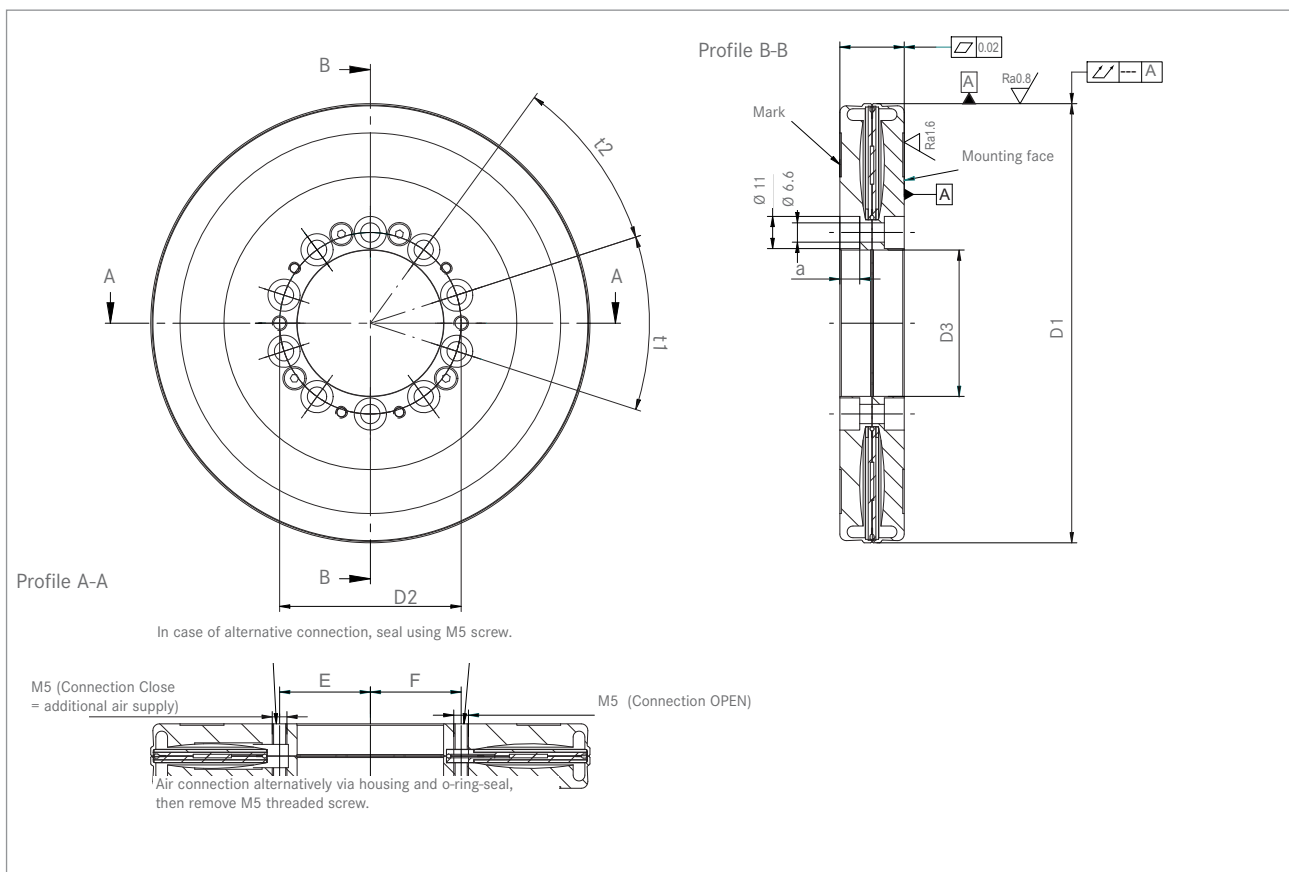
# ROTOCLAMP / DISKCLAMP

## TECHNICAL DATA

### Technical Data of the RotoClamp Outside S

Size	D1 opened at rated pressure Pn = 4/6 Bar	Required shaft diameter	D2	D3	B	E	F	n number of fixing screws	a	t1	t2	Elastic holding torque at 0 Bar Pn = 6 Bar	Elastic holding torque with secondary air at 6 Bar Pn = 6 Bar	Elastic holding torque at 0 Bar Pn = 4 Bar	Elastic holding torque with secondary air at 4 Bar Pn = 4 Bar	max. Mass	Air requirements per max stroke
Unit	[mm]	[mm]	[mm]	[mm]	[mm]	[mm]	[mm]	Quantity	[mm]	[°]	[°]	[Nm]	[Nm]	[Nm]	[Nm]	[kg]	[mL]
Tolerance	-0.035/0.05	+0.01/+0.025	± 0.1		+0.4												
Roundness	0,01	0,01															
Surface finish	R <sub>a</sub> 0.8 μm	R <sub>a</sub> 0.8 μm															
RCO 150 S	150	150	62	50	22	31	31	10 x M6	6.8	36	36	250	460	170	320	2	20
RCO 170 S	170	170	82	20	22	41	41	12 x M6	6.8	30	30	359	650	251	454	2.2	25

This technical data applies to the RotoClamp S Standard. Data for the RotoClamp S Active is available on request. Data for tandem versions calculable by factor 1.8.



GENERAL INFORMATION

02

ROTOCLAMP DiskCLAMP

15

LINCLAMP

24

PCCLAMP

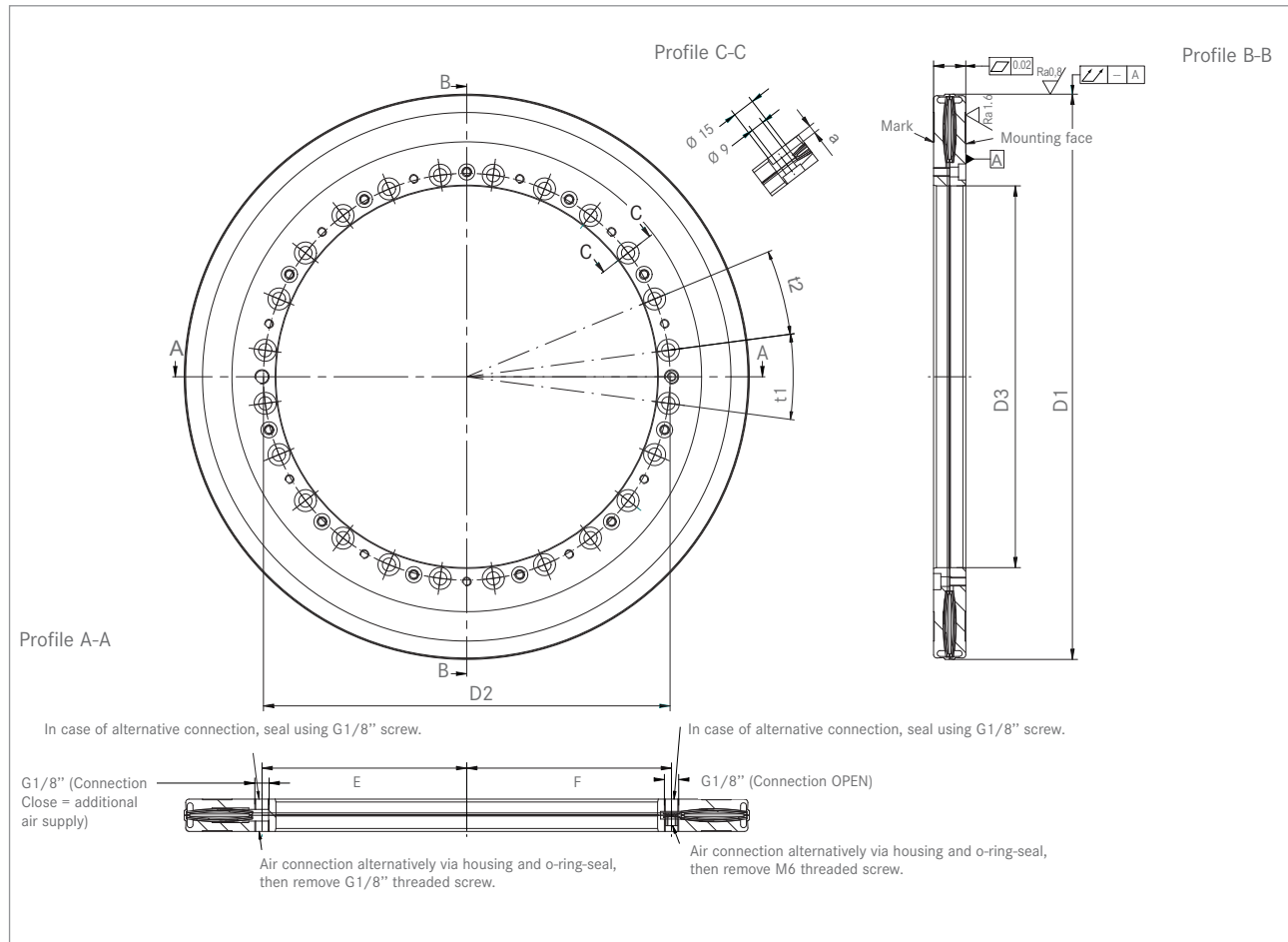
40

## TECHNICAL DATA

### Technical Data of the RotoClamp Outside N

Size	D1 opened at rated pressure Pn = 4/6 Bar	Required shaft diameter	D2	D3	B	E	F	n number of fixing screws	a	t1	t2	Elastic holding torque at 0 Bar Pn = 6 Bar	Elastic holding torque with secondary air at 6 Bar Pn = 6 Bar	Elastic holding torque at 0 Bar Pn = 4 Bar	Elastic holding torque with secondary air at 4 Bar Pn = 4 Bar	Mase max.	Air requirements per max stroke
Unit	[mm]	[mm]	[mm]	[mm]	[mm]	[mm]	[mm]	Quantity	[mm]	[°]	[°]	[Nm]	[Nm]	[Nm]	[Nm]	[kg]	[mL]
Tolerance	-0.045/-0.065	+0.01/+0.03	± 0.1		+0.4												
Roundness	0.015	0.015															
Surface-finish	R <sub>a</sub> 0.8 μm	R <sub>a</sub> 0.8 μm															
RCO 195 N	195	195	87	70	22	44.5	44.5	10 x M8	5.5	36	36	456	819	328	573	3.1	60
RCO 255 N	255	255	147	130	22	74.5	74.5	16 x M8	5.5	22.5	22.5	1080	1944	756	1361	4.5	80
RCO 315 N	315	315	207	190	22	104.5	104.5	18 x M8	5.5	20	20	1887	3468	1321	2428	6.1	100
RCO 385 N	385	385	277	260	22	139.5	139.5	24 x M8	5.5	15	15	3100	5500	2100	3800	7	120

This technical data applies to the RotoClamp N Standard. Data for the RotoClamp N Active is available on request. Data for tandem versions calculable by factor 1.8.



02

GENERAL INFORMATION

16

ROTOCLAMP DISKCLAMP

24

LINCLAMP

40

PCLAMP



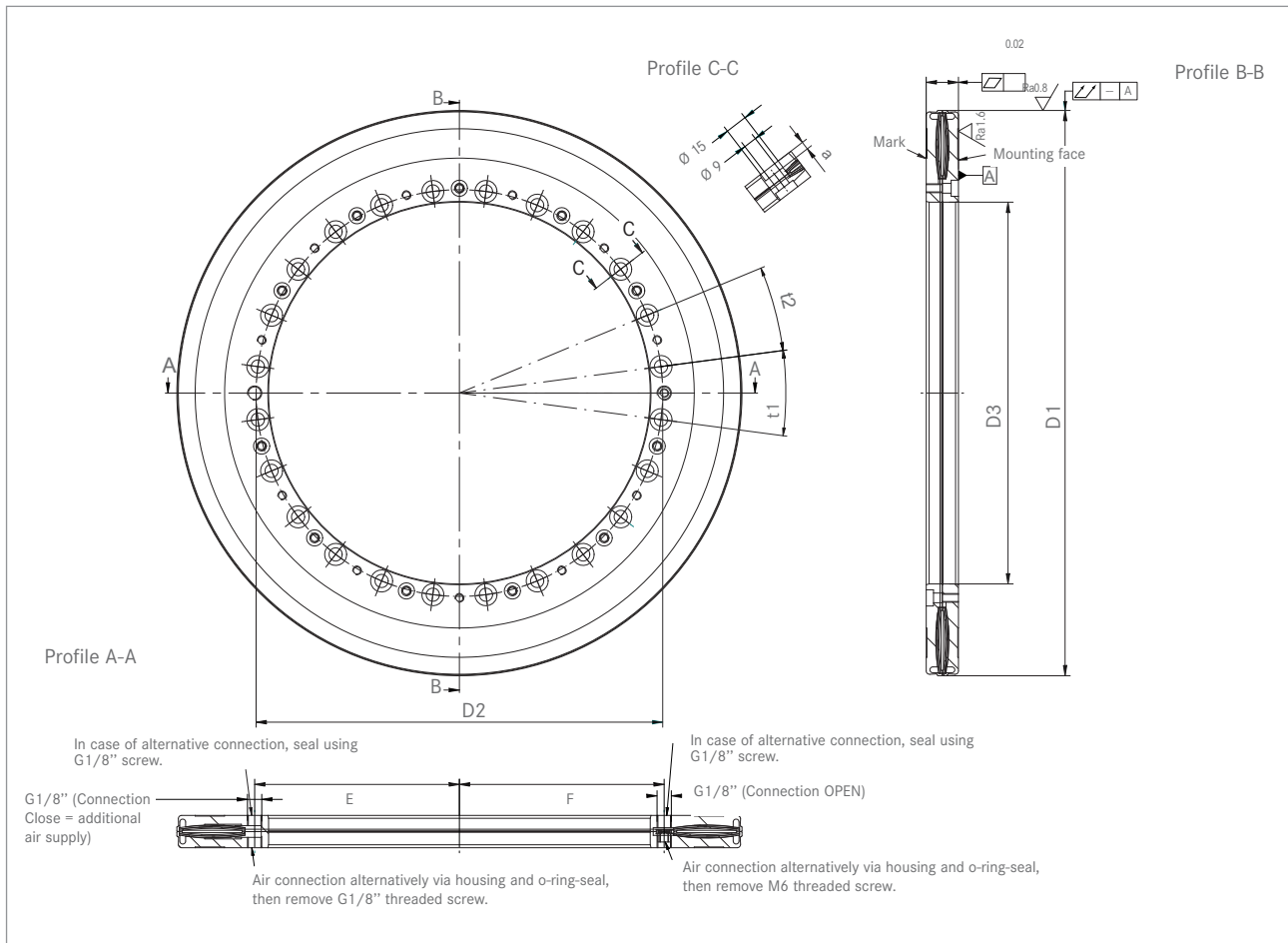
# ROTOCLAMP / DISKCLAMP

## TECHNICAL DATA

### Technical Data of the RotoClamp Outside XL

Size	D1 opened at rated pressure Pn=4 Bar	Required shaft diameter	D2	D3	B	E	F	n number of fixing screws	a	t1	t2	Elastic holding torque at 0 Bar Pn = 4Bar	Elastic holding torque with secondary air at 4 Bar Pn = 4 Bar	Mass max.	Air requirements per max stroke
Unit	[mm]	[mm]	[mm]	[mm]	[mm]	[mm]	[mm]	Quantity	[mm]	[°]	[°]	[Nm]	[Nm]	[kg]	[mL]
Tolerance	-0.04/-0.055	+0.01/+0.03	± 0.1		+0.4										
Roundness	0,02	0,02													
Surface finish	R <sub>a</sub> 0.8 μm	R <sub>a</sub> 0.8 μm													
RCO 520XL	520	520	365	340	30	182.5	182.5	24 x M10	8	15	15	3900	6500	22	30

This technical data applies to the RotoClamp XL Standard. Data for the RotoClamp XL Active is available on request. Data for tandem versions calculable by factor 1.8.



GENERAL INFORMATION 02

ROTOCLAMP DiskCLAMP 17

LINCLAMP 24

PCCLAMP 40

## OPTIONS/INSTALLATION

02

GENERAL INFORMATION

### RotoClamp with optional shaft flange

RotoClamp can also be delivered as a complete solution with the shaft flange manufactured to your specifications using various materials. The optional clamping flange is available

in the following qualities: hardened with case-hardened steel or plasma-coated steel.

18

ROTOCLAMP DISKCLAMP

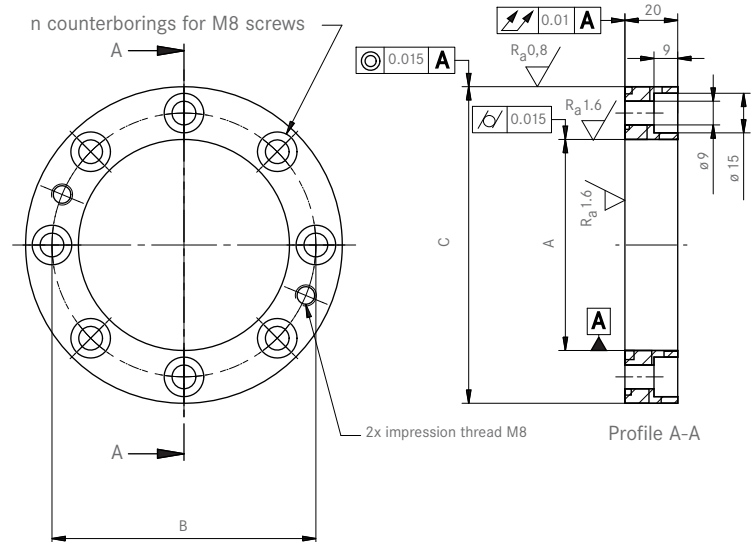
Size	Ø A	Ø B	Ø C	n counter-sinkings
Tolerance	H7	±0,1 mm	- 0,010 - 0,030	
100	60	80	120	8
120	80	100	120	8
140	100	120	140	8
160	110	136	160	12
180	130	156	180	12
200	150	176	200	12
220	170	196	220	12
240	190	216	240	12
260	210	236	260	12
280	230	256	280	12
300	250	276	300	12
320	270	296	320	12

24

LINCLAMP

40

PCLAMP



### Installation and assembly

#### General

- To transfer the maximum clamping forces, the connection to the machine structure should be as rigid as possible.
- The characteristics indicated for the clamping elements can only be achieved by correct construction, manufacturing, assembly and use of the system.

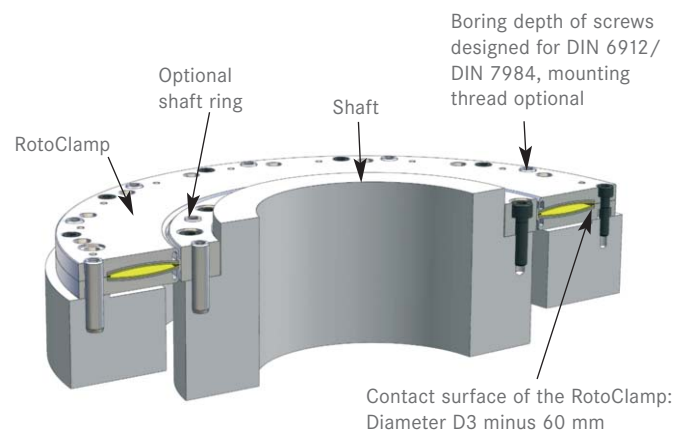
#### Assembly instructions of the shaft flange

- The seating at the shaft should be a g6-fit. The shaft flange is placed on the flat machined side, screwed down lightly and then aligned for smooth running.
- The required tightening torque for the tightening screws M8/12.9 is 44 Nm in order to transfer the maximum torque.

#### Assembly instructions of the RotoClamp

- Compressed air is applied to the RotoClamp and it is opened. Clamping can then be initiated via the shaft. The RotoClamp is then placed on the flat matching side and screwed down with a reduced torque.
- The compressed air is then reduced to 0 Bar, thereby activating the clamping. This procedure centres the clamping mechanism relative to the shaft. The RotoClamp must be free at the outer diameter (>1 mm) to ensure safe function.

- After the RotoClamp is centred in the intended position, the fixing screws are tightened cross-wise in several phases to the defined torque.
- After fixing, the clamping mechanism is opened and a check is made whether the shaft can be turned freely. Only this ensures correct function.

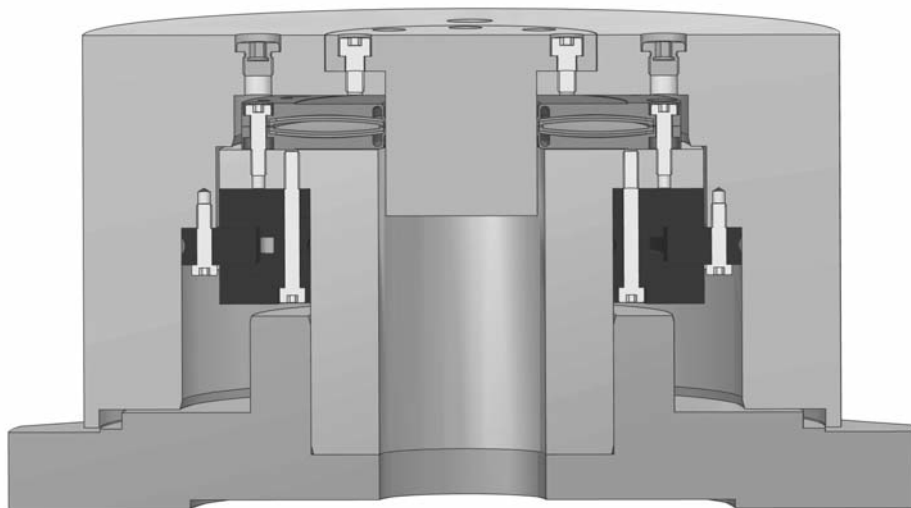


Make sure that there is a rigid connection and correct attachment to transmit the forces!

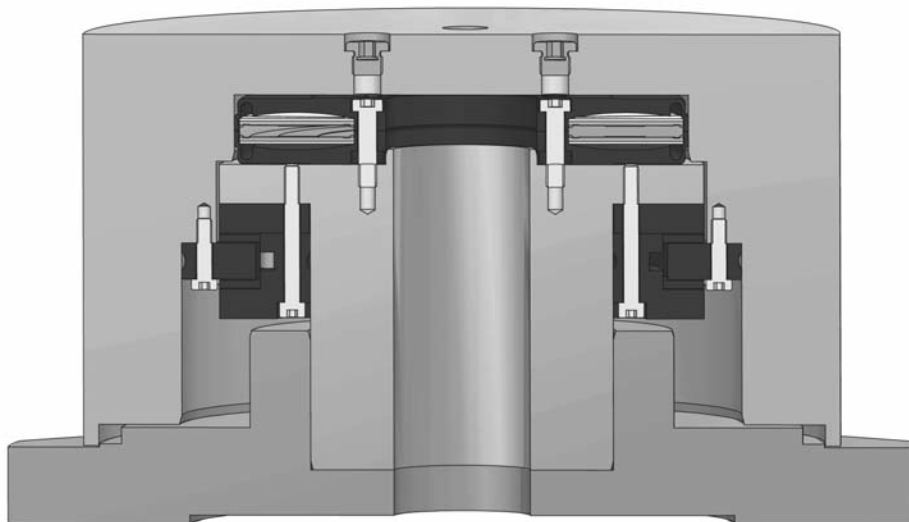
## DETAILS OF CONSTRUCTION

### Design recommendations

- The accuracy of the clamping surface is established by matching the precision ground inside diameter to the flat machined mounting surface of the RotoClamp. The total running tolerance of the clamping surface to the defined flat matching surface is smaller than 0.02 mm.
- The contact width of the clamping surface is between 2.5 and 4 mm, depending on the gap width. In this area, compressive stresses up to ca.  $180 \text{ N/mm}^2$  arise at the clamping diameter when using the secondary air function.
- Transferable torque (example): When using 12.9 M8 screws and at a prestressing force of 30700 N for each screw and a coefficient of friction of  $\mu=0.1$  and a radius of 100 mm, a transferable torque of 307 Nm is achieved for each screw.
- The roundness and radial eccentricity of the shaft in assembled state should be  $<0.02 \text{ mm}$ .
- The total running tolerance of the plane surface to the shaft for attaching the clamping mechanism should be  $<0.02 \text{ mm}$ .
- The flat attachment should not be wider than  $D3 \pm 60 \text{ mm}$ .
- The RotoClamp must be free at the outer diameter (RotoClamp Inside) or at the inside diameter (RotoClamp Outside) to be able to centre itself.



View: RotoClamp Inside in mounting position (suggestion)



View: RotoClamp Outside in mounting position (suggestion)

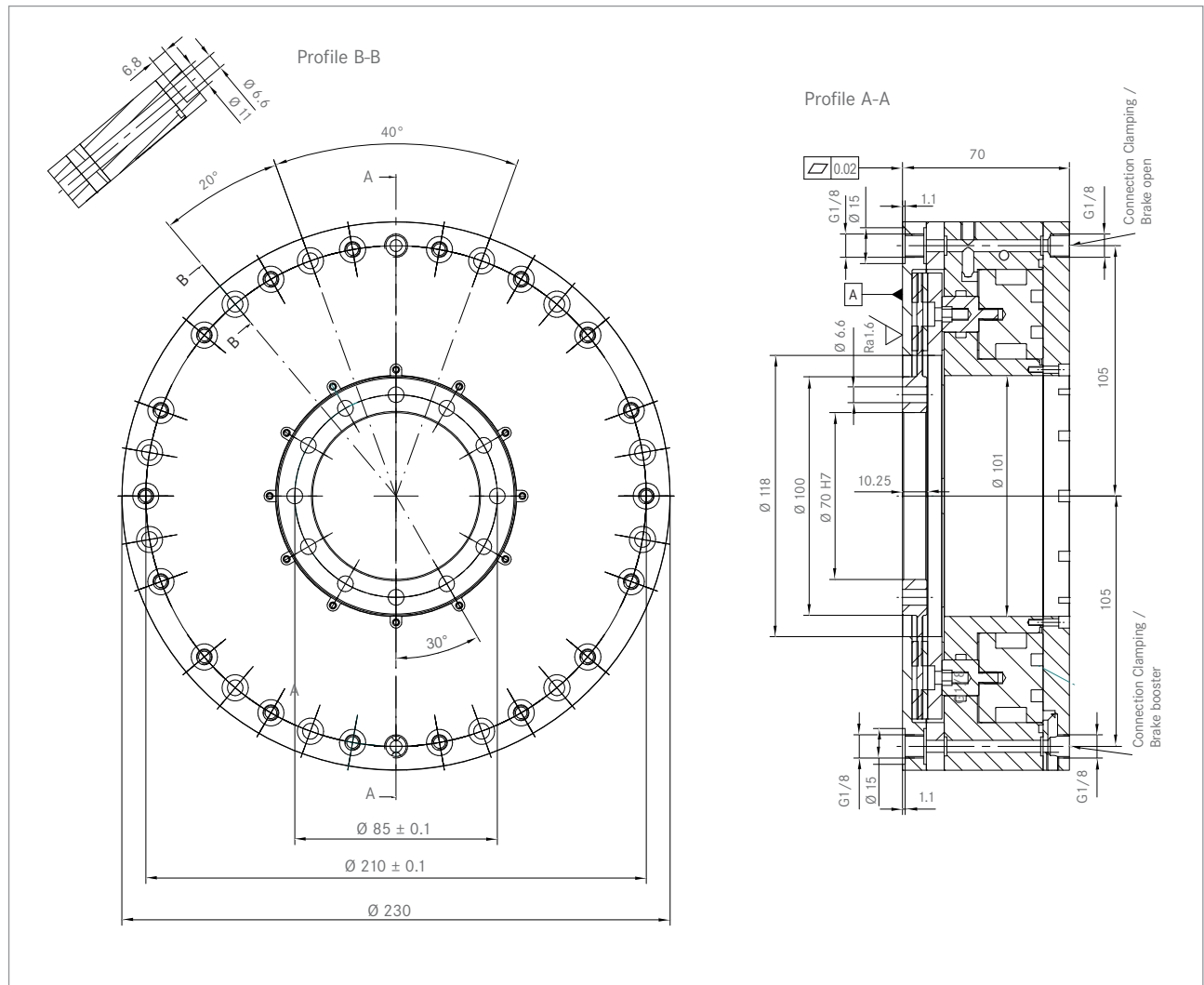
## TECHNICAL DATA

### DiskClamp - Security clamping system with **EMERGENCY BRAKE**

#### Technical Data of the DiskClamp

Size	Brake clamping torque at 0 Bar Pn = 6 Bar	Brake clamping torque with booster at 6 Bar Pn = 6 Bar	Brake clamping torque at 0 Bar Pn = 4 Bar	Brake clamping torque with booster at 4 Bar Pn = 4 Bar	Mass Brake disk	Mass max.	Air requirements per max stroke
Unit	[Nm]	[Nm]	[Nm]	[Nm]	[kg]	[kg]	[mL]
DC 100	240	420	160	290	0.65	15	60

This technical data applies to the DiskClamp clamping with air. Data for hydraulic systems on request.



02

GENERAL INFORMATION

20

ROTOCLAMP DISKCLAMP

24

LINCLAMP

40

PCLAMP

# ROTOCLAMP / DISKCLAMP

## REQUEST FORM

Please send by fax to +49 6182 773-35

Company name: \_\_\_\_\_

Address: \_\_\_\_\_ Country/Zip/Location: \_\_\_\_\_

Contact: \_\_\_\_\_ Area/Department: \_\_\_\_\_

Telephone: \_\_\_\_\_ DID: \_\_\_\_\_ Fax: \_\_\_\_\_ Direct: \_\_\_\_\_

E-Mail: \_\_\_\_\_ Internet: \_\_\_\_\_

RotoClamp systems can be adjusted for various applications. The following criteria decide on the configuration of the system. Please enter the information as completely and detailed as possible.

Model (please check):



- RotoClamp Outside (A = Active)
- S     N     XL
- SA     NA     XLA



- RotoClamp Inside (A = Aktiv)
- S     N     L     Y
- SA     NA     LA     YA



- DiskClamp

Type designation according to the table: \_\_\_\_\_

Standard bore according to drawing: \_\_\_\_\_

Clamping cycles: \_\_\_\_\_ per \_\_\_\_\_

Yes                       No

special requirement: \_\_\_\_\_

In case of deviation, please enclose the drawing for the application or mail to [info@hema-schutz.de](mailto:info@hema-schutz.de).

Clamping torque: \_\_\_\_\_ Nm

Optional shaft flange: \_\_\_\_\_

Planned connection pressure: \_\_\_\_\_

Required quantity: \_\_\_\_\_

4 Bar                       6 Bar

Date of delivery: \_\_\_\_\_

Please call back             Please visit

Dimensions:

Other: \_\_\_\_\_

Outer diameter D3: \_\_\_\_\_ mm

Inside diameter D1: \_\_\_\_\_ mm

Fixing diameter D2: \_\_\_\_\_ mm

Overall height: \_\_\_\_\_

You can also download this form at:

**[www.hema-schutz.de](http://www.hema-schutz.de)**

GENERAL INFORMATION

02

ROTOCLAMP  
DISKCLAMP

21

LINCLAMP

24

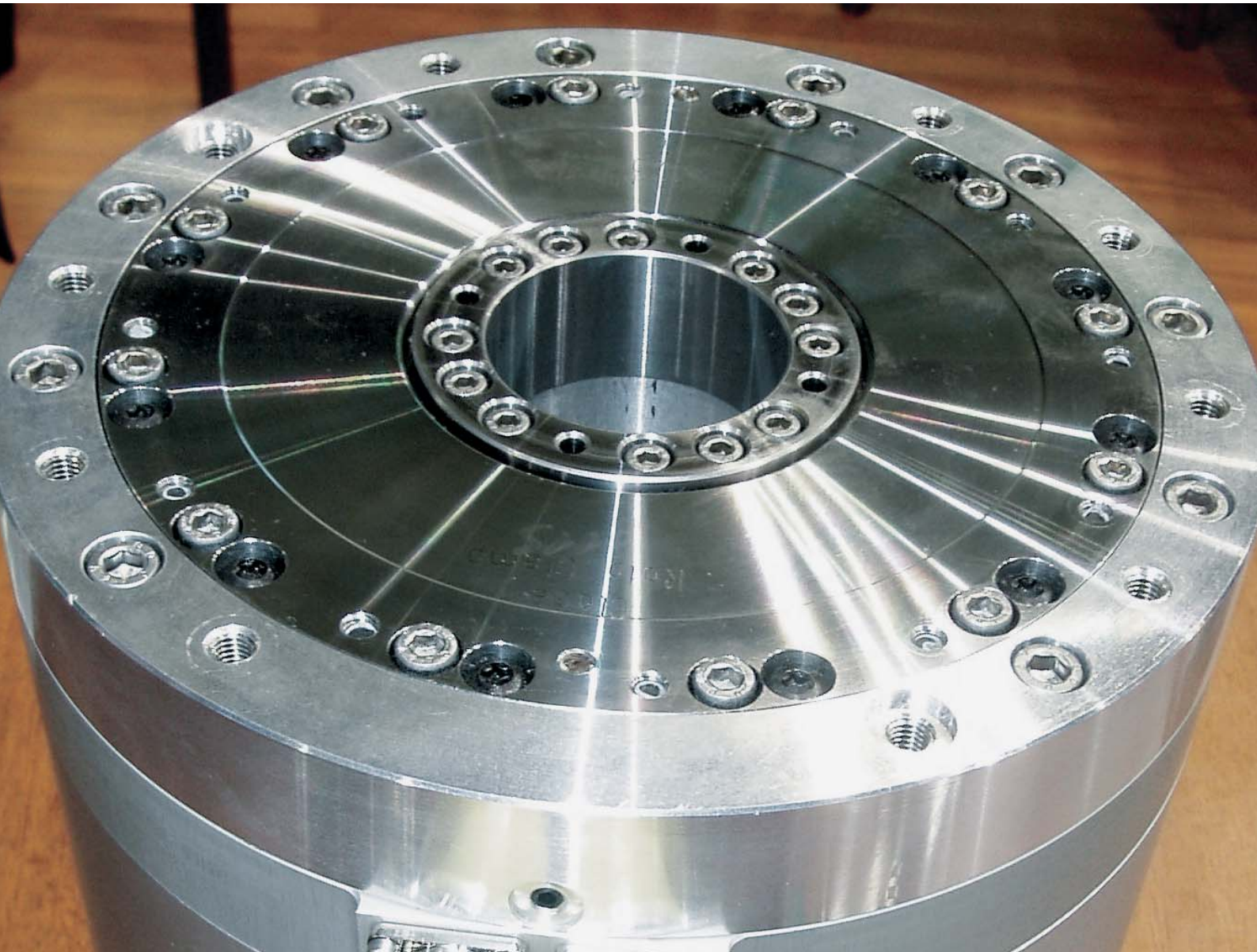
PCCLAMP

40

# HEMA CLAMPING SYSTEMS



# ROTOCLAMP/DISKCLAMP



## LINCLAMP

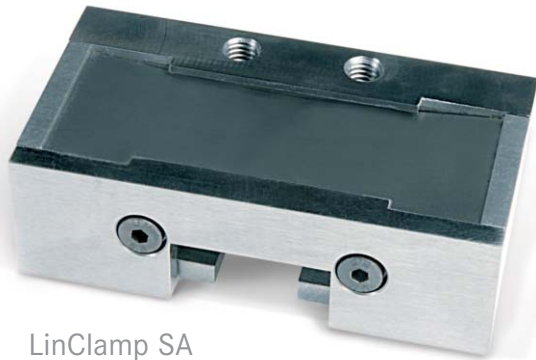
02	GENERAL INFORMATION
06	ROTOCLAMP DISKCLAMP
24	LINCLAMP
40	PCLAMP



LinClamp S



LinClamp S flat



LinClamp SA



LinClamp SK



LinClamp A



## ADVANTAGES

1

Suitable for almost all sizes and manufacturers of linear guide systems as well as for surfaces (LinClamp A)

2

Compact design, suitable for high and low carriages, simple installation

3

Compatible to other rail clamping systems

4

Pneumatic clamping or braking of the highest forces

5

Optimum safety clamping, failure of pneumatics results in clamping

6

Low system costs in comparison to hydraulics and electronic solutions

7

Special linings for clamping without loss of holding power for linear guides with grease lubrication.

## OPERATING PRINCIPLE OF THE LINCLAMP

02

GENERAL INFORMATION

06

ROTOCLAMP DISKCLAMP

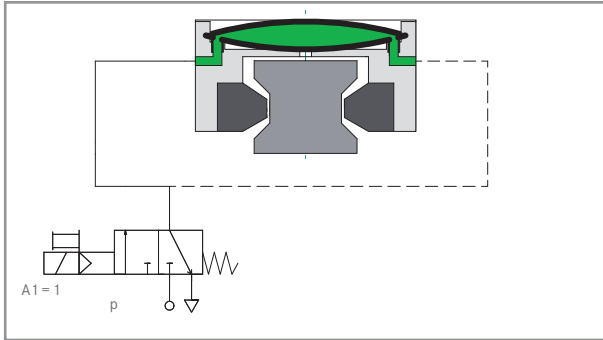
26

LINCLAMP

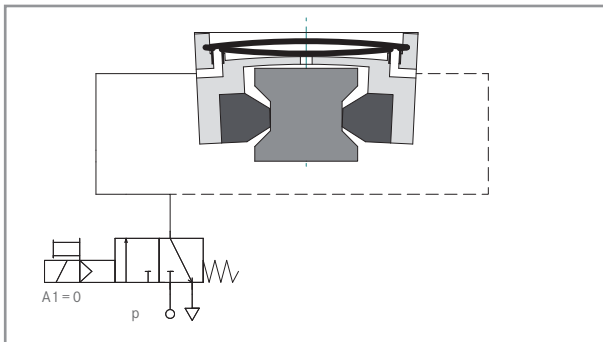
40

PCLAMP

### Function of the LinClamp S/SK



LinClamp S/ SK, opening with spring air



LinClamp S/SK, clamping with spring actuator

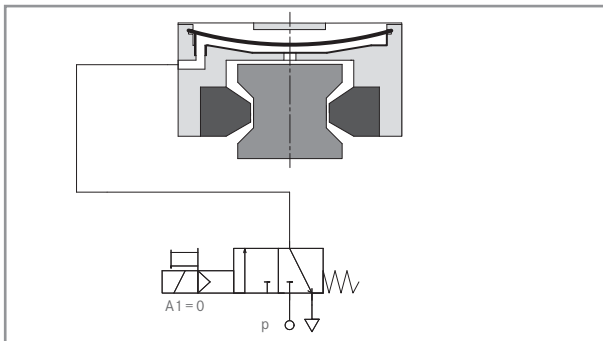
#### LinClamp S/SK released

Compressed air is applied to the chamber between the two spring steel diaphragms. This deforms the spring steel sheets elastically and shortens them in the horizontal direction. The clamp body is deformed in such a way that it contacts at the top with the spring steel sheets and expands at the bottom around the brake shoes. This lifts the brake shoes from the rail and it can be moved freely.

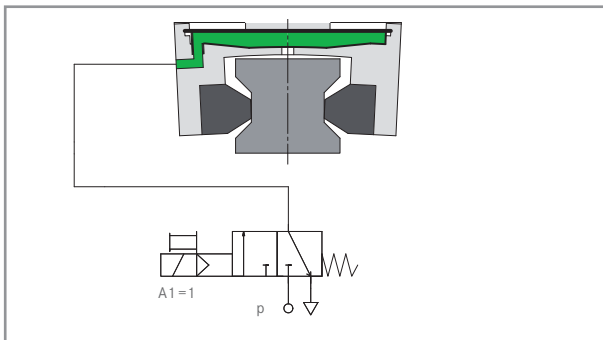
#### LinClamp S/SK clamped

The chamber between the two spring steel diaphragms is vented. The spring steel sheets spring back to their normal position and expand the upper part of the clamping body. However, this expansion at the top simultaneously leads to a narrowing at the bottom. This narrowing causes the brake shoes to press against the rail and to clamp it.

### Function of the LinClamp SA



LinClamp SA, opening with spring actuator



LinClamp SA, clamping with air

#### LinClamp SA released

Venting causes the sheet to spring back and splays out the clamping body below the slide way. The base plate, which has previously been reformed elastically, now springs back to its starting position. It is thereby narrower above the cross web and wider beneath it. The brake shoes lift off from the rail. Operating pressure 4 to 6 Bar.

#### LinClamp SA clamped

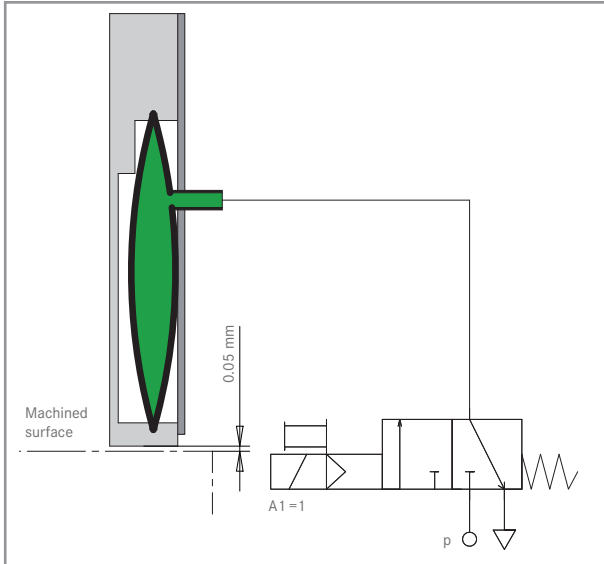
To activate the clamping mechanism, the chamber below the spring steel sheet is filled with compressed air. The prestressed spring steel sheet is thereby pressed upwards and simultaneously stretched. Simultaneously, the lower part of the clamping body is narrower over the cross web as pivot point. This presses the brake shoes against the rail.



Compressed air

## OPERATING PRINCIPLE OF THE LINCLAMP

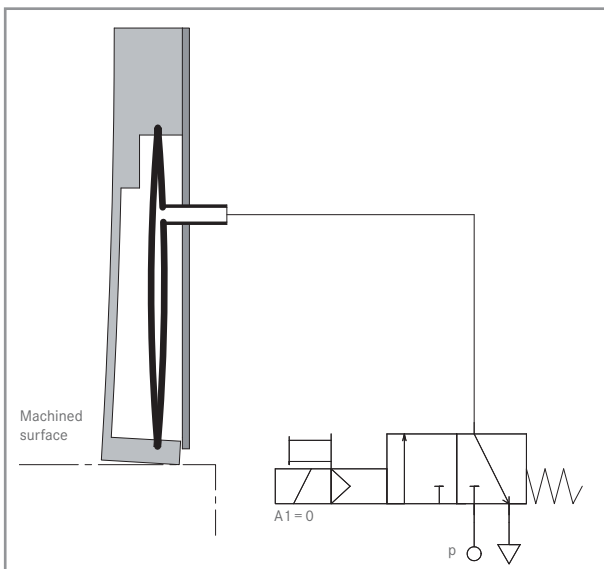
### Function of the LinClamp A



LinClamp A, Opening with spring actuator

#### LinClamp A released

Compressed air is applied to the chamber between the two spring steel diaphragms. This elastically deforms the spring steel sheets and the entire system contracts. This contraction causes the clamping jaw to lift from the base frame - the carriage can now be moved freely. The gap between the clamping jaws and the frame at an operating pressure of 4 Bar is 0.05 mm. The distance between the carriages and the frame remains constant due to the high accuracy of the precision rails; the gap of 0.05 mm is therefore not a problem.



LinClamp A, Clamping with spring actuator

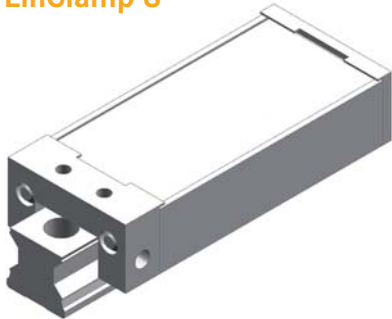
#### LinClamp A clamped

The chamber between the two spring steel diaphragms is vented. The energy stored in the spring steel sheets causes the clamping element to expand towards the machine frame. When the clamping jaws touch the machine frame, a large part of the energy is still within the spring actuator - the carriage is clamped.

## PRODUCT OVERVIEW

02	GENERAL INFORMATION
06	ROTOCLAMP DISKCLAMP
28	LINCLAMP
40	PCLAMP

### LinClamp S

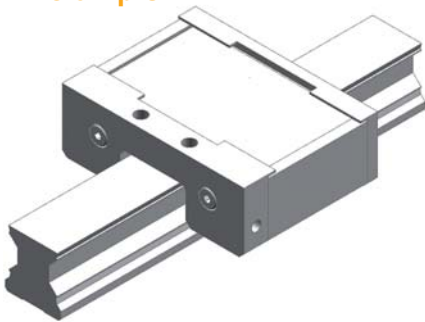


**Applications directly over linear guides. Long, slender design, passive.**

Consisting of a single-piece clamping body and two spring plates including air chamber, any adaptations on linear guide rails. Available as a clamp or brake for high or low linear guide carriages, for 4 or 6 Bar.

Sizes 15-65, retaining forces 540-10,000 N, special solutions like air connection from above or special screw attachment points on request.

### LinClamp SK

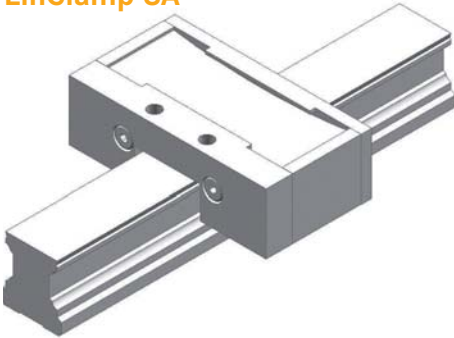


**Applications directly over linear guides. Wide, short design, passive.**

Consisting of a single-piece clamping body and two spring plates including air chamber, any adaptations on linear guide rails. Available as a clamp or brake for high or low linear guide carriages, for 4 or 6 Bar.

Sizes 15-55, retaining forces 300-2100 N, special solutions like air connection from above or special screw attachment points on request.

### LinClamp SA



**Applications directly over linear guides. Wide, short design, active.**

Consisting of a single-piece clamping body and a spring plate including airbag, any adaptations on linear guide rails, available as a clamp or brake for high or low linear guide carriages, for 4 or 6 Bar.

Sizes 20, 25, and 35, retaining forces 390-1250 N. Special solutions like air connection from above or special screw attachment points on request.

### LinClamp A



**Applications on surfaces next to linear guides, e.g. machine frame, passive.**

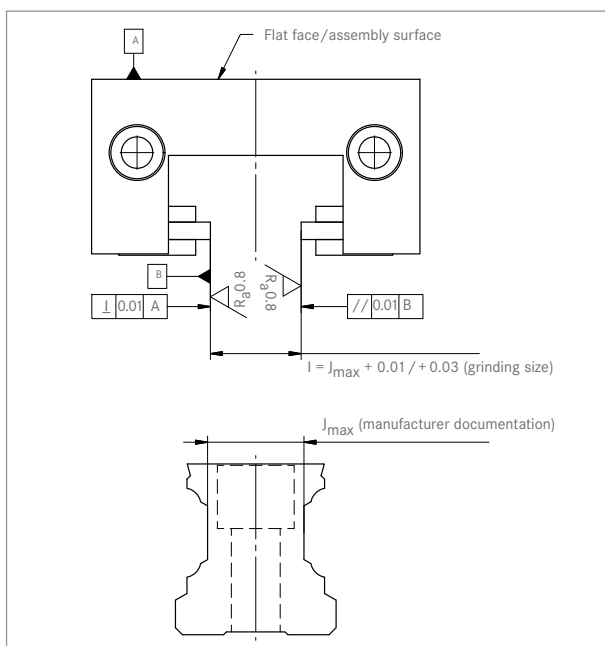
Consisting of a single-piece clamping body and two spring plates including airbag and lined clamping area, for installation on separate surfaces next to the linear guide on the carriage. Available exclusively as a clamp for 4 Bar. Sizes 25 and 35, retaining forces 1100-2200 N.

## FEATURES LINCLAMP

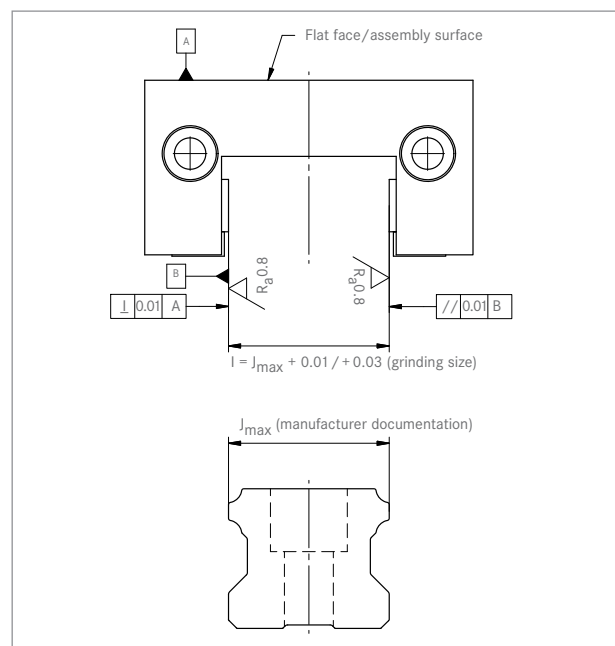
### Gap width between brake and clamping faces and linear guide rails

The inner dimension  $I$  between the faces of each LinClamp is polished to an exact value. This is always 0.01 mm to 0.03 mm larger than the maximum size  $J_{max}$  from the manufacturer documentation of the respective linear guide rail (refer to the diagram). The greatest possible holding force is at  $J_{max}$ . In unfavourable cases, there are resulting losses of holding force of up to 30% (refer to the table).

Air gap bellows/linear guide rail (mm)	Loss in holding force (%)
0.01	5
0.03	10
0.05	20
0.07	30



Clamping in the middle area of a linear guide rail



Example: Clamping in the upper area of a linear guide rail

## FEATURES OF LINCLAMP

### Clamping- or Braking system



Braking

### Clamping / Braking

All S, SK, and SA type LinClamps can be used both as brake and clamping elements.

Use as brake: Sintered metal brake lining.

Use as clamp: Clamp linings made of tool steel.



Clamping

### Carriages



LinClamp S for high carriages

### Mounting of the carriages

Comparison of higher/lower runner block LinClamp S:

In accordance to the configuration of the linear guide used, you can select between a high or a low fixing element.



LinClamp S for low carriages

02

GENERAL  
INFORMATION

06

ROTOCLAMP  
DISKCLAMP

30

LINCLAMP

40

PCLAMP

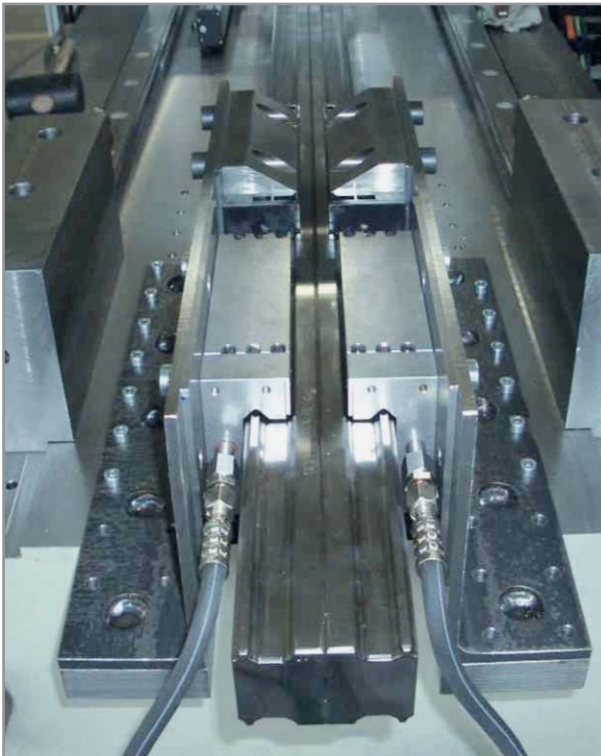
## RESEARCH RESULTS

### Research results for pneumatically operated brake systems

Within the scope of a research project carried out by the VDW/VDMA (German Machinery Plant Manufacturer's Association), measurements were carried out at the Institut für Fertigungstechnik und Werkzeugmaschinen (IWF) at

Hanover University, Germany over the course of two years to determine the braking distance of LinClamp brake systems using sintered metal in comparison to alternative products.

### Comparative test of the braking distance



#### Test configuration

Institut für Fertigungstechnik und Werkzeugmaschinen (IWF) at Hanover University, Project "Fast braking" of the VDW/VDMA

#### Test object

LinClamp S 55

#### Rated values

6 kN holding force per element  
Guide rails INA, air pressure min. 5.5 Bar

#### Measurements carried out

The measurements were made to determine the braking distance in comparison to alternative products

#### Parameter

60 and 120 m/min at 550 kg to 1550 kg  
in 200-kg steps, 50 horizontal measurements,  
air pressure 5.5 Bar

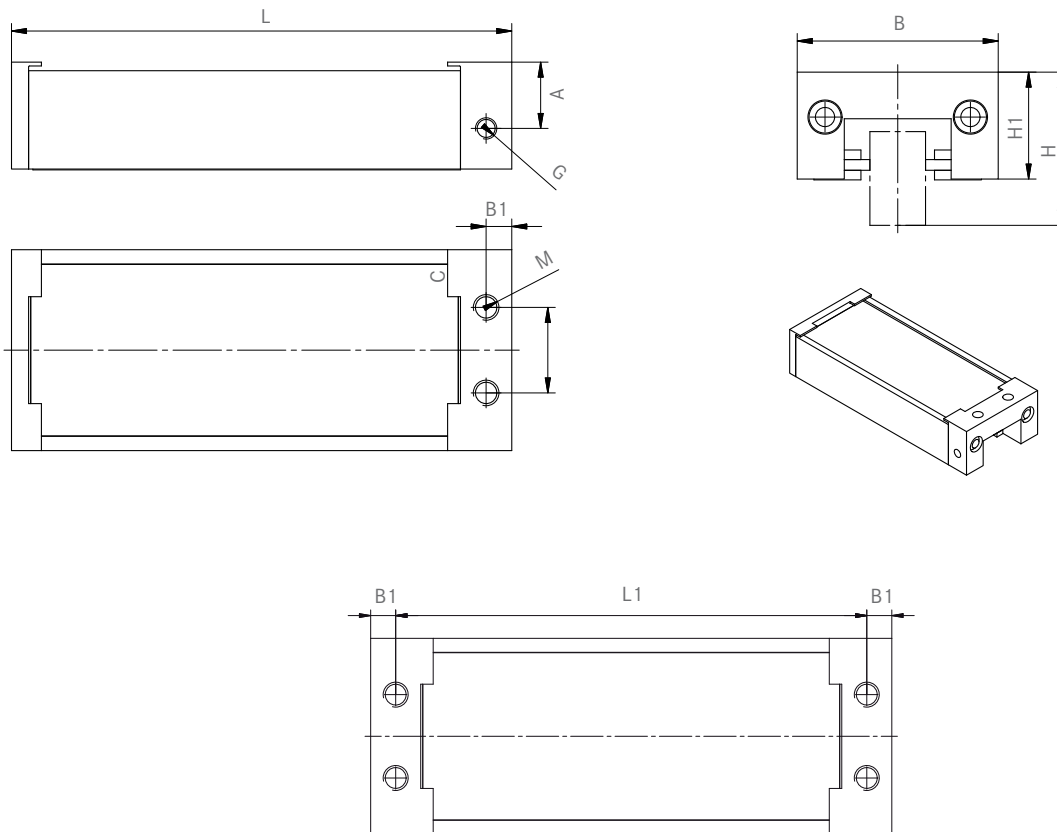
### Results

Test object	60 m/min, 1150 kg	60 m/min, 1350 kg	60 m/min, 1550 kg	120 m/min, 550 kg	120 m/min, 750 kg
Unit	[mm]	[mm]	[mm]	[mm]	[mm]
LinClamp S 55	62,7	65,2	69,9	121,8	144,5
Clamping alternative 1	66,9	81,2	89,3	151,4	179,9
Clamping alternative 2	87,9	96,2	101,9	145,8	173,4

## TECHNICAL DATA

### Technical Data of the LinClamp S

Rail size	2 fixing holes			4 fixing holes			Low carriage			High carriage			G	M	Holding force at 6 Bar	Holding force at 4 Bar	Mass
	L	L	L1	B	H	H1	A	H	H1	A	B1	C					
Unit	[mm]	[mm]	[mm]	[mm]	[mm]	[mm]	[mm]	[mm]	[mm]	[mm]	[mm]	[mm]			[N]	[N]	[kg]
20	97.2	105.2	93.2	43	30	19.5	13.5	-	-	-	6	15	M5	M5	900	540	0.32
25	117	125	113	47	36	25	15.5	40	29	19.5	6	20	M5	M6	1200	780	0.5
30	126	141	121	59	42	29.5	17	45	32.5	20	10	24	M5	M8	1800	1100	0.9
35	156.2	171.2	151.2	69	48	35	22.5	55	42	29.5	10	24	G1/8	M8	2800	1800	1.26
45	176.2	191.2	171.2	80	60	42	26.5	70	52	36.5	10	26	G1/8	M10	4000	2400	2.3
55	202.2	221.2	196.2	98	70	49	28	80	59	38	12.5	30	G1/8	M12	6000	3600	3.9
65	259.2	281.2	251.2	120	90	64	38	100	74	48	15	40	G1/4	M12	10000	6000	5
25 flat	117	125	113	47	25	20	15.5	-	-	-	6	20	M5	M6	1200	780	0.45
20/40 wide 27 wide	-	159.2	145.2	69	27	23	18.5	-	-	-	7	24	M5	M8	1500	900	0.91
25/70 wide, 35 wide	-	221.2	196.2	98	35	31	23	-	-	-	12.5	30	G 1/8	M12	2000	1200	2.2



02

GENERAL INFORMATION

06

ROTOCLAMP DISKCLAMP

32

LINCLAMP

40

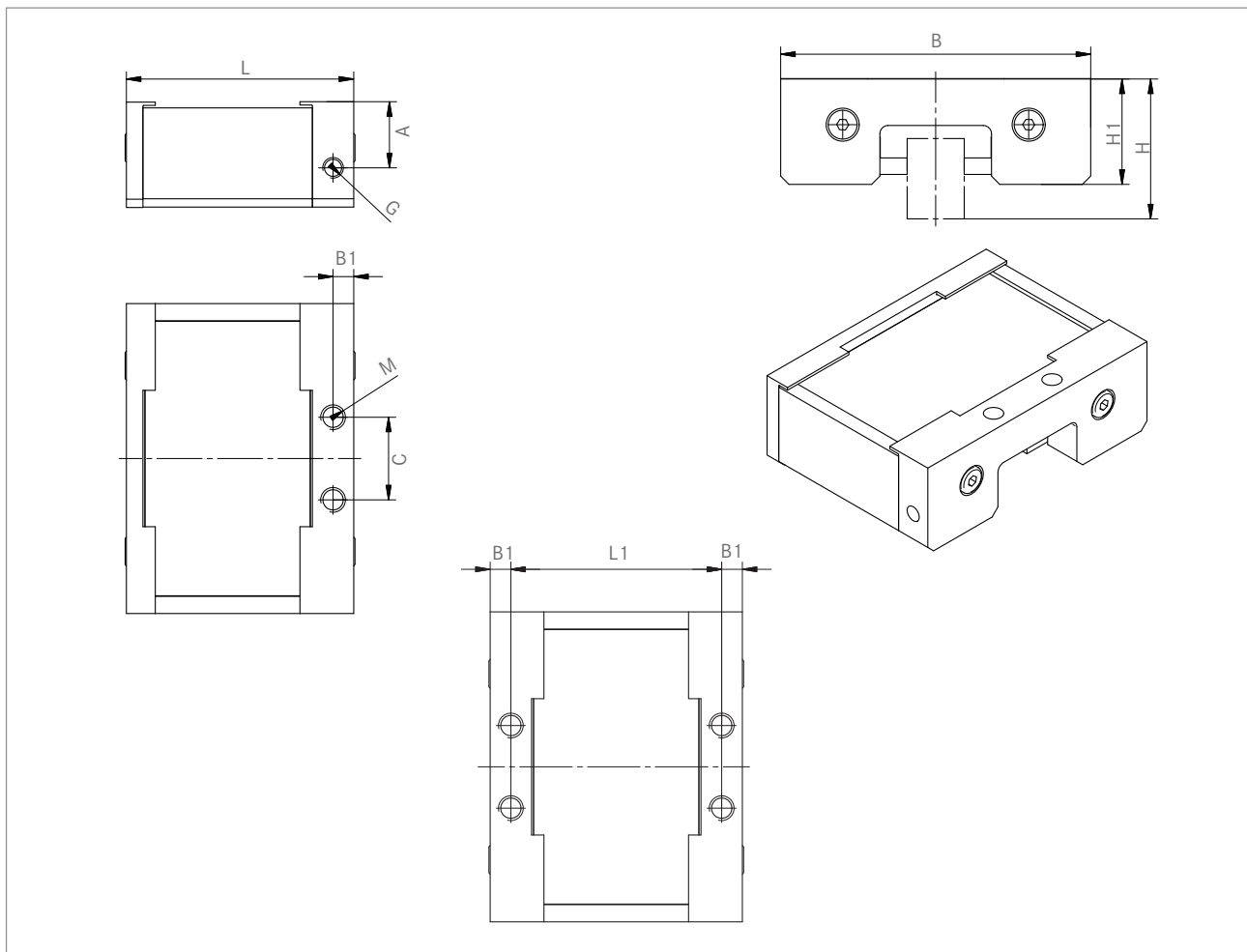
PCLAMP



## TECHNICAL DATA

### Technical data of the LinClamp SK

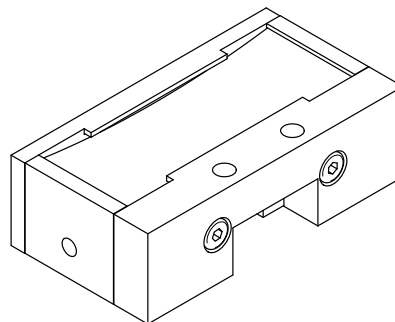
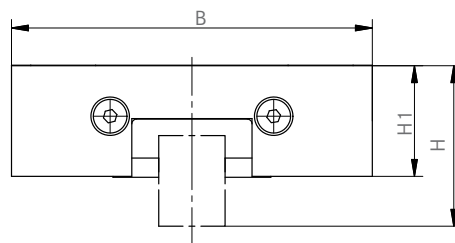
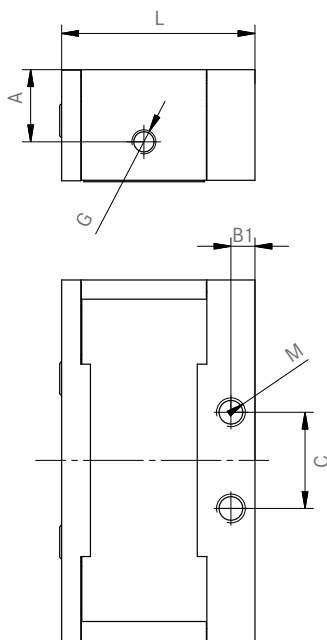
Rail size	2 fixing holes		4 fixing holes		Low carriage			High carriage							Holding force at 6 Bar	Holding force at 4 Bar	Mass	
	L	L	L1	B	H	H1	A	H	H1	A	B1	C	G	M				
Unit	[mm]	[mm]	[mm]	[mm]	[mm]	[mm]	[mm]	[mm]	[mm]	[mm]	[mm]	[mm]	[mm]	[mm]	[mm]	[N]	[N]	[kg]
15	55	61	51	45	24	18	14	-	-	14	5	15	M5	M4	450	300	0.5	
20	55	61	51	54	30	22	16	-	-	16	5	20	M5	M6	650	430	0.6	
25	55	61	51	75	36	25.5	16	40	29.5	20	5	20	M5	M6	800	530	0.7	
30	66.5	76	58.5	82	42	30	21	45	33	24	8.75	22	M5	M8	1150	750	0.9	
35	66.5	76	58.5	96	48	35	21.2	55	42	28.2	8.75	24	G1/8	M8	1250	820	1.27	
45	80	92	72	116	60	45	27.5	70	55	37.5	10	26	G1/8	M10	1500	950	2	
55	100	112	92	136	70	49	30.5	80	59	40.5	10	30	G1/8	M10	2100	1300	2.8	



## TECHNICAL DATA

### Technical data of the LinClamp SA

Rail size	2 fixing holes		Low carriage				High carriage				M	Holding force at 6 Bar	Holding force at 4 Bar	Mass	
	L	B	H	H1	A	H	H1	A	B1	C					G
Unit	[mm]	[mm]	[mm]	[mm]	[mm]	[mm]	[mm]	[mm]	[mm]	[mm]	[mm]		[N]	[N]	[kg]
20	40	75	30	23	15	-	-	15	5	20	M5	M6	650	390	0.53
25	40	75	36	23	15	40	27	15	5	20	M5	M6	800	480	0.53
35	67	96	48	35	20	55	42	20	9	20	G1/8	M8	1250	750	1.14



02

GENERAL INFORMATION

06

ROTOCLAMP  
DISKCLAMP

34

LINCLAMP

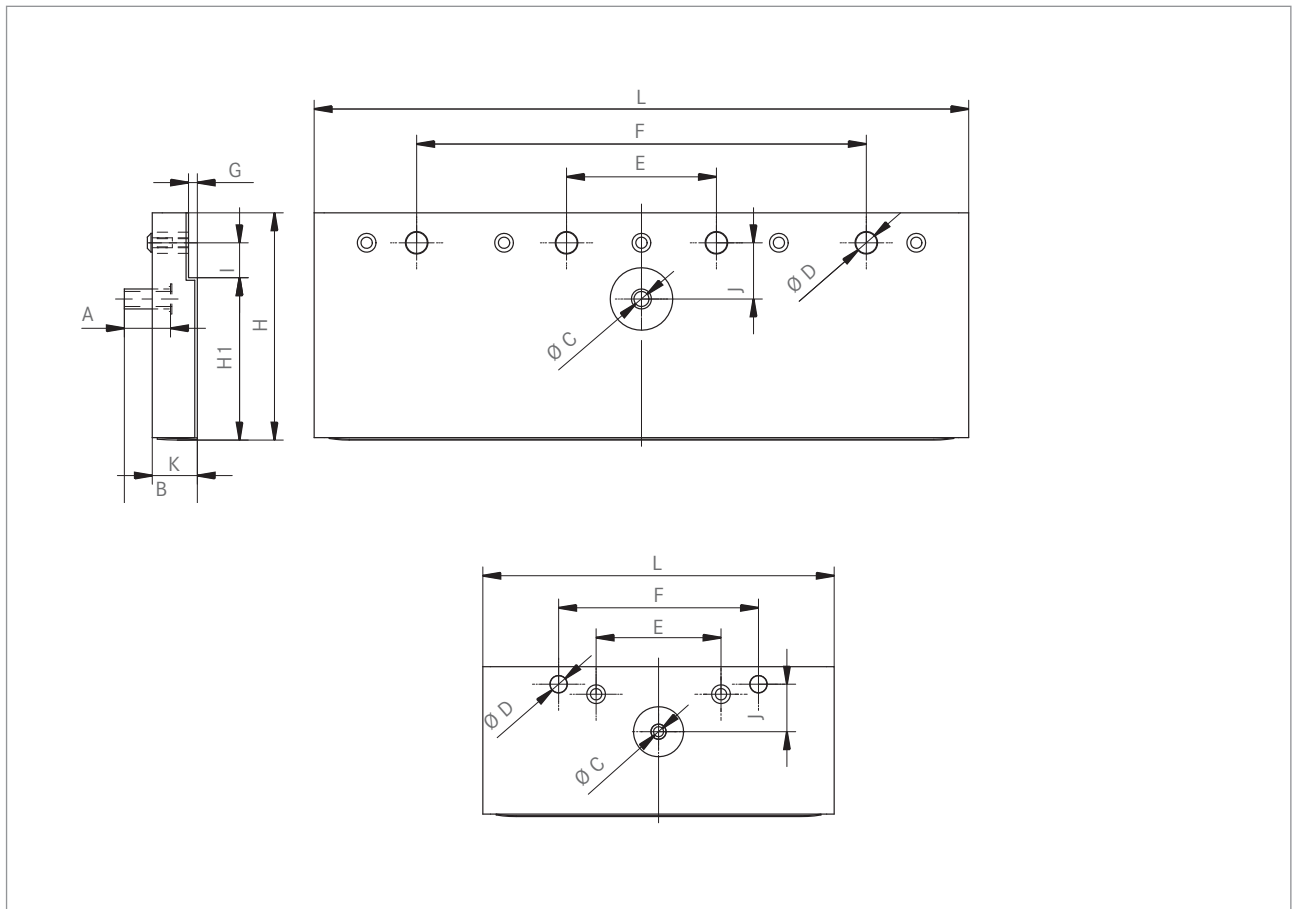
40

PCLAMP

## TECHNICAL DATA

### Technical data of the LinClamp A

Rail size	L	B	H	H1	A	C	D	E	F	G	I	J	K	Holding force at 4 Bar	Mass
Unit	[mm]	[mm]	[mm]	[mm]	[mm]	[mm]	[mm]	[mm]	[mm]	[mm]	[mm]	[mm]	[mm]	[N]	[kg]
25	140	28.15	60	36	17	4	6.8	50	80	3.5	17	19	18	1100	0.53
35	212	29.45	81	55	19	8	6.8	50	150	3.5	14	22	18	2200	1.15



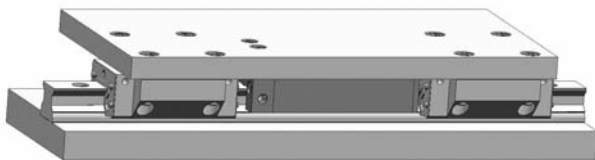
## RECOMMENDATIONS/INSTALLATION/WARRANTY

### General

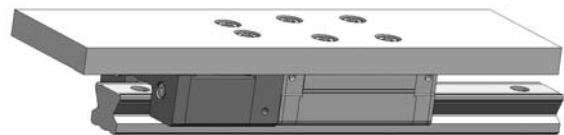
- To be able to transmit the indicated holding forces, the connection to the carriage(s) of the linear guide system used should be as rigid as possible.
- The mounting surface of the LinClamp is always at the same height as the mounting surfaces of the carriages (low or high) used in the linear guide due to the use of high or low fixing elements. Special heights of LinClamp as well as models adapted to lower rail sizes can be delivered on request.
- The mounting surface for fixing the LinClamp must be perfectly machined geometrically and must be flat.
- Check the air supply, line lengths and feeds and both check and test the valve selection.
- Braking element (brake linings) that are greased achieve approx. 60% of the holding forces.
- Clamping elements (steel linings) that are greased achieve 100% of the holding forces.
- If the combination of tolerances is unfavourable then there is a potential loss of holding force of up to 30% (due to the system).

### Installation and assembly

- Air Pressure is applied to the LinClamp and it is opened (Type S, SK) or it is pushed over the rail without air pressure (Type SA) and then attached to the mounting surface via the fixing screws. The screws are only tightened by hand at first.
- The air pressure is now reduced to 0 Bar (Type S, SK) or increased to the required pressure (Type SA), thereby activating the clamping mechanism. This procedure centres the LinClamp relative to the rail.
- After the LinClamp has been centred in the intended position, the fixing screws are tightened in several steps up to the defined tightening torque.
- After assembly, a check is made whether the LinClamp can be freely moved over the rail when open. Only in this way is perfect function ensured.



View: LinClamp S in mounting position (suggestion)



View: LinClamp SK in mounting position (suggestion)

02

GENERAL  
INFORMATION

06

ROTOCLAMP  
DISKCLAMP

36

LINCLAMP

40

PCLAMP

## REQUEST FORM

Please send by fax to +49 6182 773-35

Company name: \_\_\_\_\_

Address: \_\_\_\_\_

Country/Zip/Location: \_\_\_\_\_

Contact: \_\_\_\_\_

Area/Department: \_\_\_\_\_

Telephone: \_\_\_\_\_

DID: \_\_\_\_\_

Fax: \_\_\_\_\_

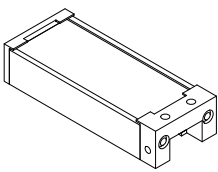
Direct: \_\_\_\_\_

E-Mail: \_\_\_\_\_

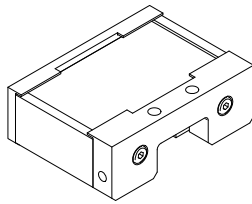
Internet: \_\_\_\_\_

LinClamp systems can be adjusted for various applications. The following criteria decide on the configuration of the system. Please enter the information as completely and detailed as possible.

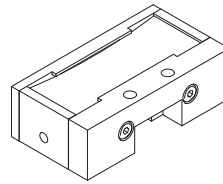
Model (please check):



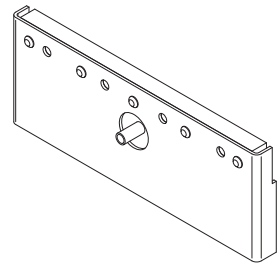
LinClamp S



LinClamp SK



LinClamp SA



LinClamp A

Type designation according to the table: \_\_\_\_\_

Exact designation of linear guidance: \_\_\_\_\_

Holding force: \_\_\_\_\_ N Air pressure: \_\_\_\_\_ Bar

Manufacturer: \_\_\_\_\_

System should clamp with air

Type/Size: \_\_\_\_\_

System should open with air

Carriage type high/low: \_\_\_\_\_

Horizontal operation

Required quantity: \_\_\_\_\_

Vertical operation

Date of delivery: \_\_\_\_\_

Vertical operation (with free fall)

Use as:

Please call back

brake system

Please visit

emergency brake

mechanical fall arrester

clamping system

Other: \_\_\_\_\_

process terminal

Clamping cycles \_\_\_\_\_ per \_\_\_\_\_

Surface operating conditions:

dry

oiled

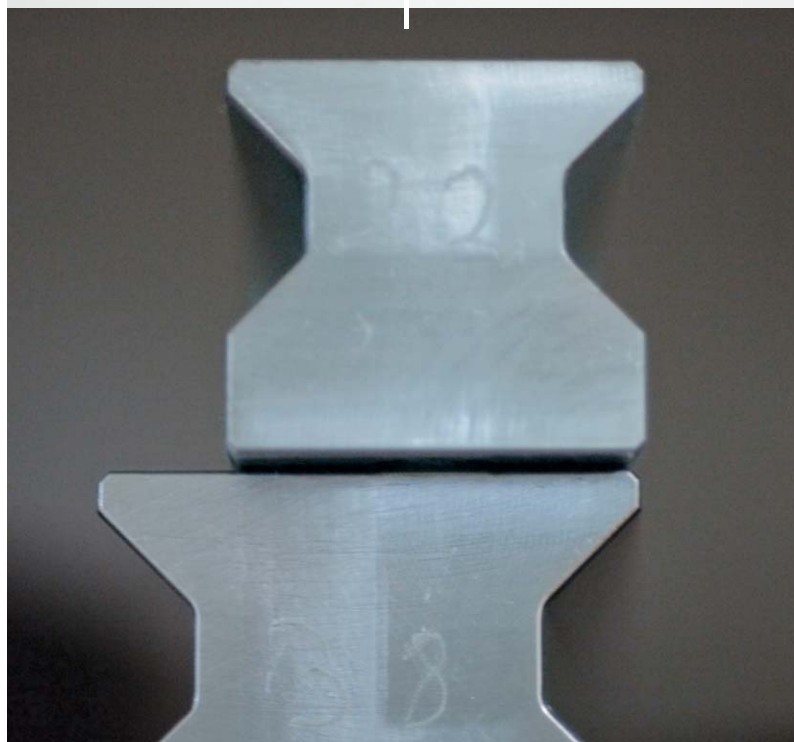
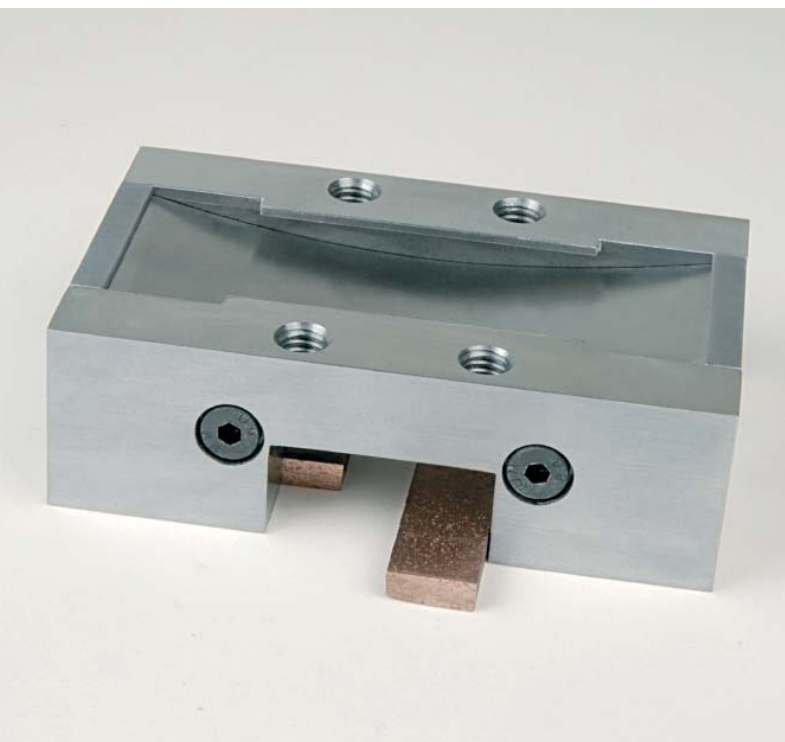
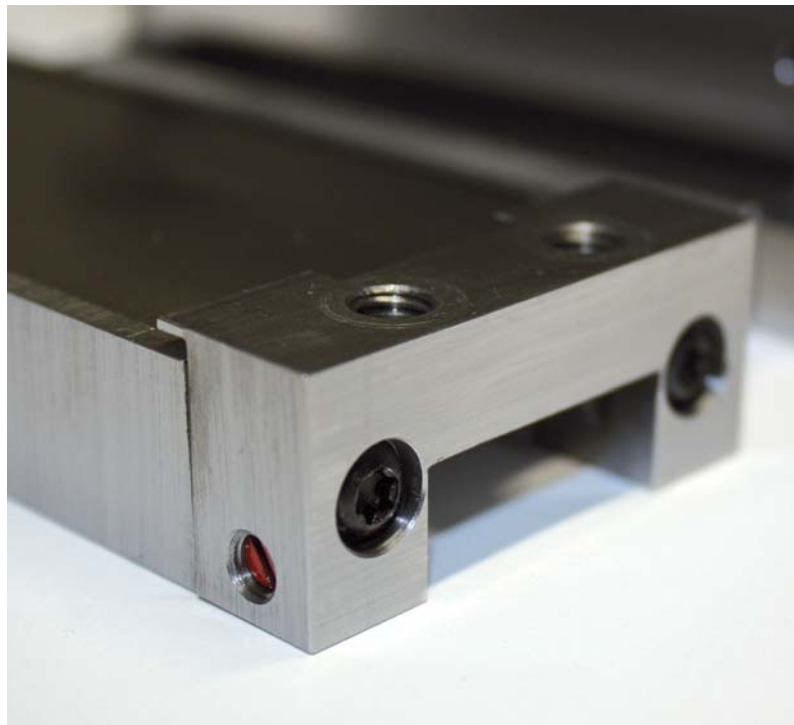
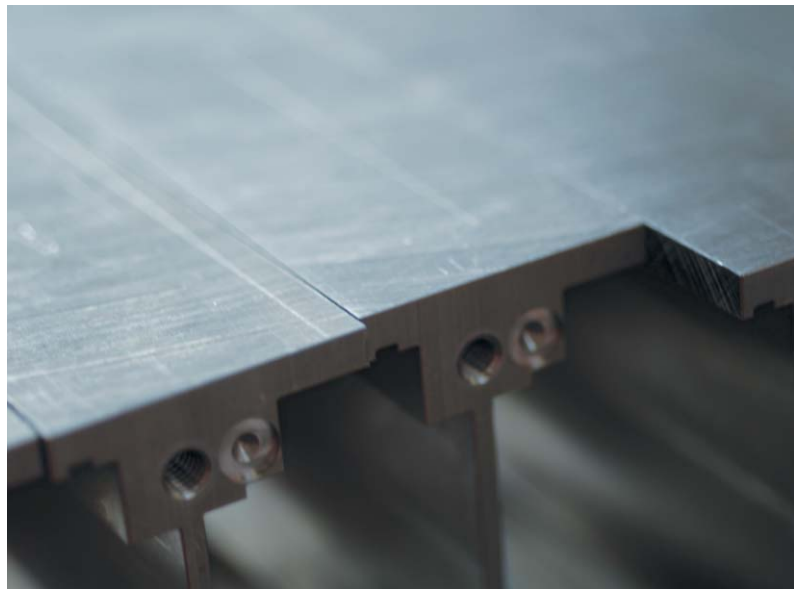
greased

Exact designation of the oil/grease: \_\_\_\_\_

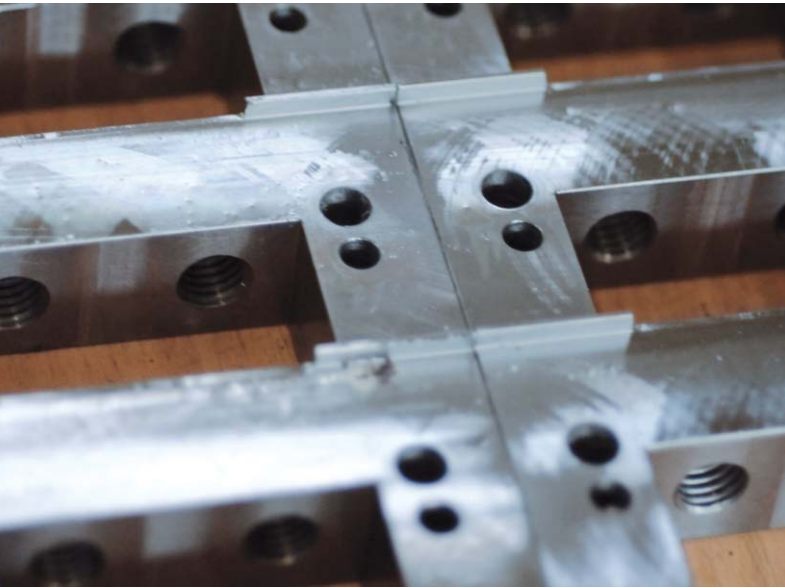
You can also download this form at:

**[www.hema-schutz.de](http://www.hema-schutz.de)**

# HEMA CLAMPING SYSTEMS



# LINCLAMP



## PCLAMP

02

GENERAL  
INFORMATION

06

ROTOCLAMP  
DISKCLAMP

24

LINCLAMP

40

PCLAMP



PClamp N



PClamp E



## ADVANTAGES

1

**Pneumatic clamping with high forces**

2

**Optimum safety clamping –  
pneumatic failure locks the system**

3

**The performance of hydraulic clamps  
will be achieved and exceeded**

4

**Low system costs in  
comparison to hydraulics**

5

**Simple installation**

6

**Compact design**

7

**Wide range for many shaft  
sizes can be delivered**

GENERAL  
INFORMATION

02

ROTOCLAMP  
DISKCLAMP

06

LINCLAMP

24

PCLAMP

41

## OPERATING PRINCIPLE OF THE PCLAMP

02

GENERAL INFORMATION

06

ROTOCLAMP DISKCLAMP

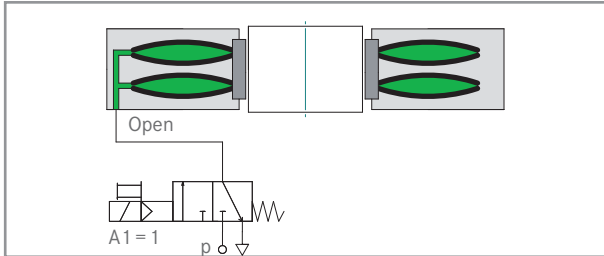
24

LINCLAMP

42

PCLAMP

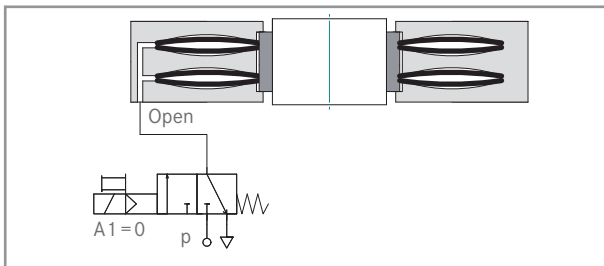
### Funktion PClamp N



PClamp Standard, opening the spring actuator

#### PClamp N released

Pressure is applied to the air chambers between the spring steel sheets. The spring steel sheets bend outwards, reducing their radial width. The clamping collet can therefore expand, releasing the rod.

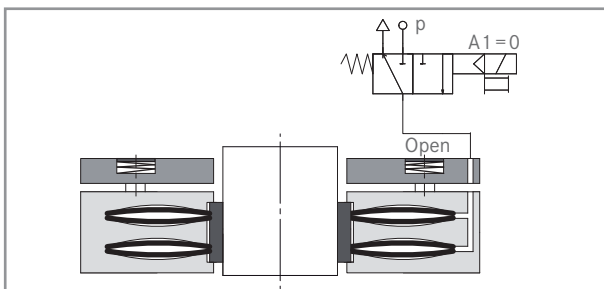


PClamp Standard, clamping with spring actuator

#### PClamp N clamped

The air chambers between the spring steel sheets are vented, the elastic spring steel sheets return to their original position, thereby clamping the collet against the rod. In this condition, the PClamp N is able to hold both rotary motion as well axial forces.

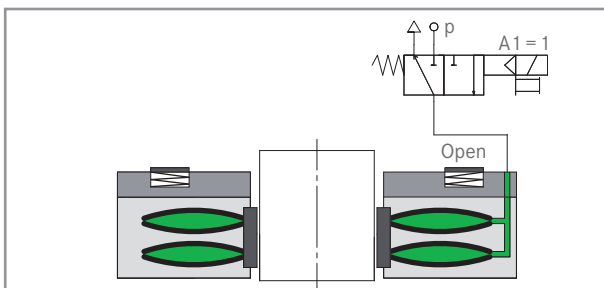
### Function of the PClamp X



PClamp X, clamping with spring actuator

#### PClamp X clamped

PClamp X offers an additional safety feature: In case of emergency clamping, an air escape channel opens, and the PClamp X cannot be released in this state.

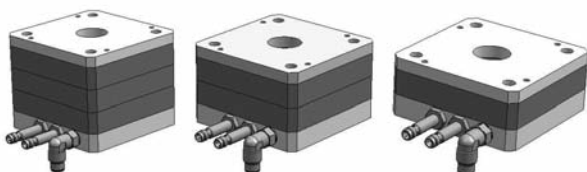


PClamp X, opening the spring actuator

#### PClamp X released

The clamping can only be unlocked after lifting the load.

### Increasing power



The building block system – more power by stacking up to four PClamp modules

#### Intelligent modular concept PClamp stacking

The easiest method of increasing the clamping force by stacking several clamping units. The clamping forces can be increased by arranging up to three clamping units between the base plate and the surface plate.

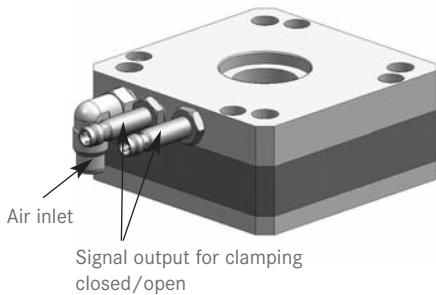
PClamp is suitable for clamping rods with diameters of 12 mm to 40 mm. The flange dimension as well as the outside dimensions are matched to those of standard cylinders ISO 6431. The lengths vary depending on the clamping force required. Additional data for special solutions are available on request.



Compressed air

## PRODUCT OVERVIEW

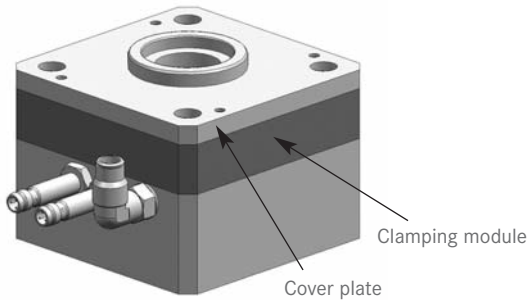
### PClamp N



### Standard version

Comprising the standard cover plate, one to four clamping units and base plate with connections for initiators as well as air inlet. Suitable for linear and rotary loads.

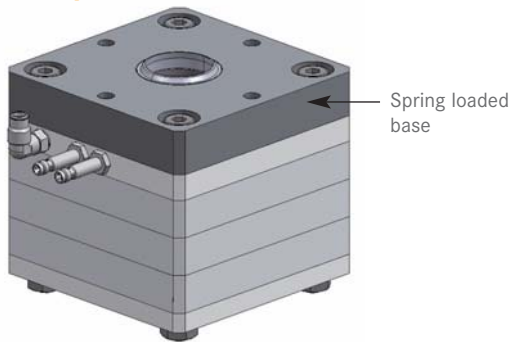
### PClamp ISO



### Version for ISO pneumatic cylinder

Cover plate and base plate are matched to the flange dimension of the ISO cylinder. Due to the integrated attachments in the housing, the ISO version is ideal for use with standard cylinders. The clamping unit is identical to versions N and X.

### PClamp X



### Version with additional safety mechanism for highest safety standards for vertical axes

Models with improved safety for vertical axes. After clamping the piston rod, the clamping mechanism can only be released when the axis is moved upwards. The clamping unit is identical to the versions N and ISO.

### PClamp E



### Compact version for lower clamping forces

PClamp E has a lower overall height - ideal for applications with limited installation space or operating ranges in which lower holding forces are required. Sensors can not be used. The clamping unit has a different outward appearance than Version N, X and ISO, although the active principle is identical.

GENERAL INFORMATION 02

ROTOCLAMP DiskCLAMP 06

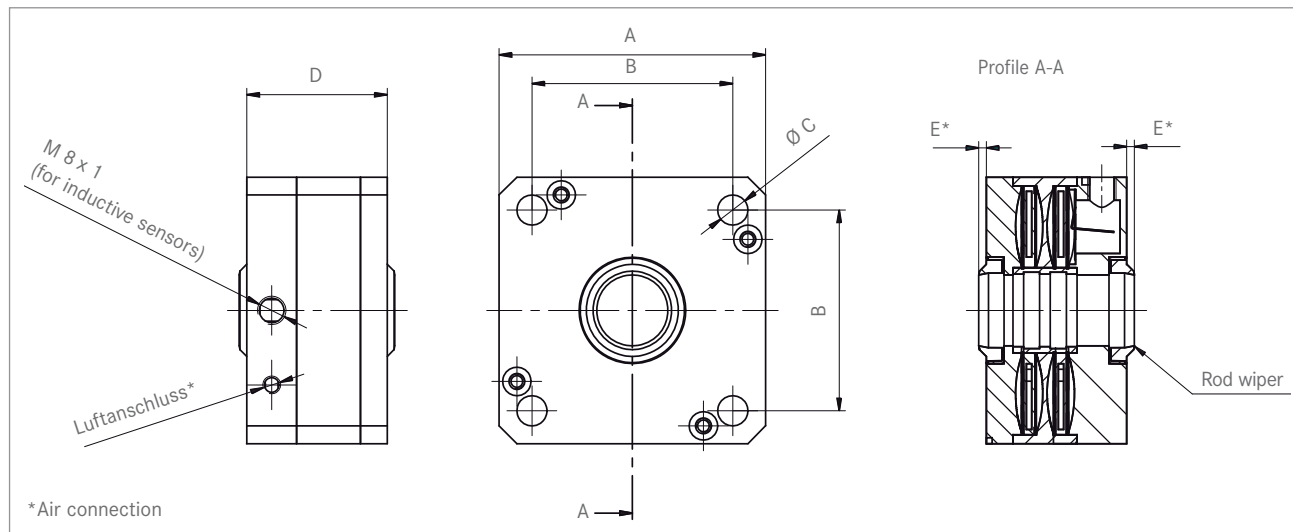
LINCLAMP 24

PCLAMP 43

## TECHNICAL DATA

### Technical Data of the PClamp N

Size	A	B	C	D	E	Air connection	Holding force Version 4 Bar	Holding force Version 6 Bar	Holding torque Version 4 Bar	Holding torque Version 6 Bar	Standard rod	Mass
Unit	[mm]	[mm]	[mm]	[mm]	[mm]		[N]	[N]	[Nm]	[Nm]	[mm]	[kg]
PC 63-20-1	75	56.5	8.5	41.5	2.1	M5	1400	2000	15	20	20	0.7
PC 63-20-2	75	56.5	8.5	59.5	2.1	M5	2520	3600	25	35	20	1.13
PC 63-20-3	75	56.5	8.5	77.5	2.1	M5	3780	5400	35	50	20	1.56
PC 80-25-1	96	72	10.5	43.5	2.14	G 1/8	2100	3000	25	35	25	1.3
PC 80-25-2	96	72	10.5	63.5	2.14	G 1/8	3780	5400	40	60	25	2.2
PC 80-25-3	96	72	10.5	83.5	2.14	G 1/8	5670	8100	65	95	25	3.1
PC 125-40-1	145	110	13	51.6	3	G 1/8	7000	10000	140	200	40	3.65
PC 125-40-2	145	110	13	75.2	3	G 1/8	12600	18000	250	360	40	5.85
PC 125-40-3	145	110	13	98.8	3	G 1/8	18900	27000	375	540	40	8.05
PC 125-40-4	145	110	13	122.4	3	G 1/8	25200	36000	500	720	40	10.25



#### Example of tabulation

- PC 63-20-1: PClamp suitable for ISO cylinders, size 63, rod diameter 20 mm, one clamping module.
- Sizes A, B, C, D and E are geometric data (refer to the drawing).
- Air connection M5: Connecting thread for hose connector.
- Holding force Version 4 Bar: 1400N/holding force Version 6 Bar: 2000N. The versions for various pressure ranges achieve different holding forces.
- Holding torque Version 4 Bar: 15 Nm/holding torque version 6 Bar: 20Nm. Like before, there are different holding torques at different pressures.
- Standard rod diameter starting from the standard value, you can get versions with reduced diameter. Available diameter and corresponding holding forces on request.

#### Safety note for construction

The holding forces specified can be achieved under optimal conditions; we recommend a safety factor of >10%. Please consider that the surface, material, and cleanliness of the rod as well as wear and the use of wipers leads to changed holding forces. For new or safety applications, check the clamp by testing it in its environment and measure the actual values. Plan regular functional checks and functional monitoring. Please indicate these intervals as safety instructions for the end user. The axis/shaft must be designed at least with an h9 fit. Expect reduced holding forces if using the entire range of tolerances. To achieve optimum holding force, machine the fit as closely as possible to the nominal size.

02

GENERAL INFORMATION

06

ROTOCLAMP DISKCLAMP

24

LINCLAMP

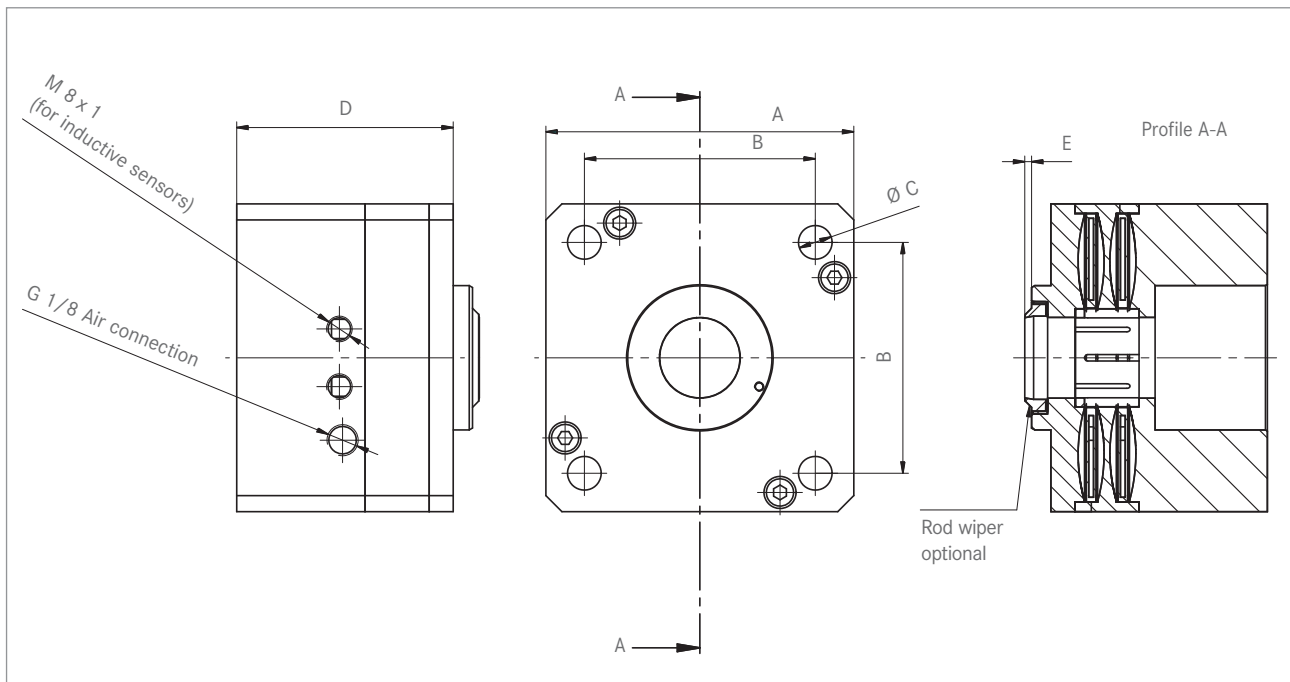
44

PCCLAMP

## TECHNICAL DATA

### Technical Data of the PClamp ISO

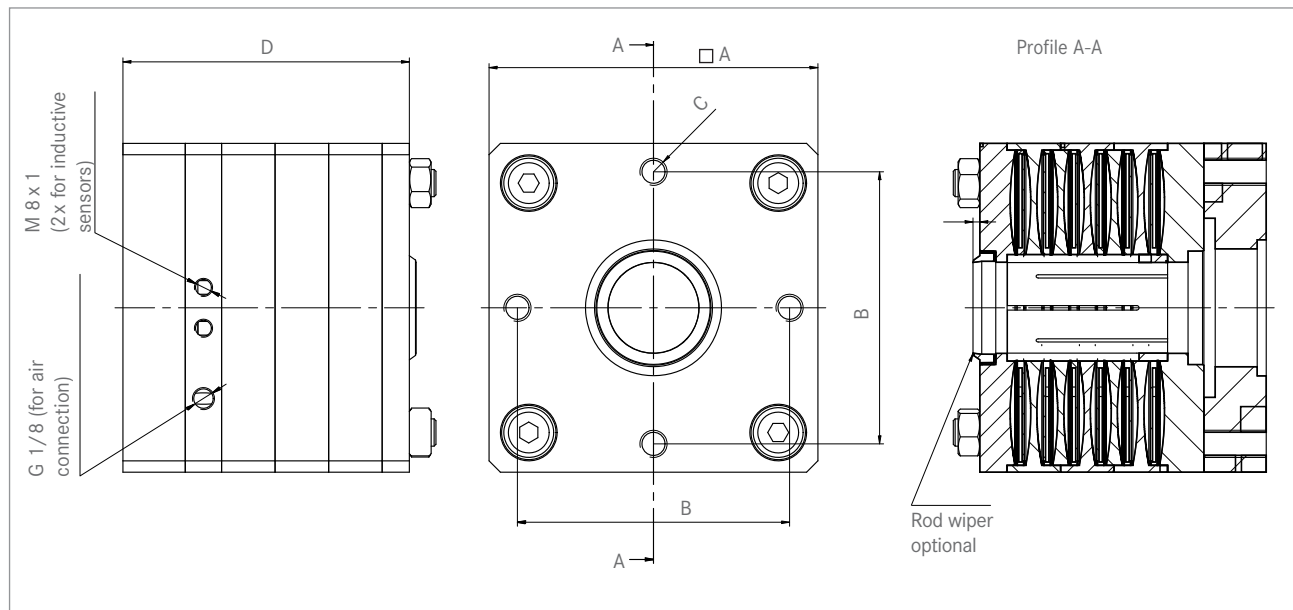
Size	A	B	C	D	E	Air connectio	Holding force Version 4 Bar	Holding force Version 6 Bar	Holding torque Version 4 Bar	Holding torque Version 6 Bar	Standard rod	Mass
Unit	[mm]	[mm]	[mm]	[mm]	[mm]		[N]	[N]	[Nm]	[Nm]	[mm]	[kg]
PC 63-20-1	75	56.5	8.5	69.5	2.1	M5	1400	2000	15	20	20	1
PC 63-20-2	75	56.5	8.5	87.5	2.1	M5	2520	3600	25	35	20	1.43
PC 63-20-3	75	56.5	8.5	105.5	2.1	M5	3780	5400	35	50	20	1.86
PC 80-25-1	96	72	10.5	67.5	2.14	G 1/8	2100	3000	25	35	25	1.8
PC 80-25-2	96	72	10.5	87.5	2.14	G 1/8	3780	5400	40	60	25	2.7
PC 80-25-3	96	72	10.5	107.5	2.14	G 1/8	5670	8100	65	95	25	5.6
PC 125-40-1	145	110	13	95,6	3	G 1/8	7000	10000	140	200	40	5.65
PC 125-40-2	145	110	13	119,2	3	G 1/8	12600	18000	250	360	40	7.85
PC 125-40-3	145	110	13	142,8	3	G 1/8	18900	27000	375	540	40	10.05
PC 125-40-4	145	110	13	166,4	3	G 1/8	25200	36000	500	720	40	12.25



## TECHNICAL DATA

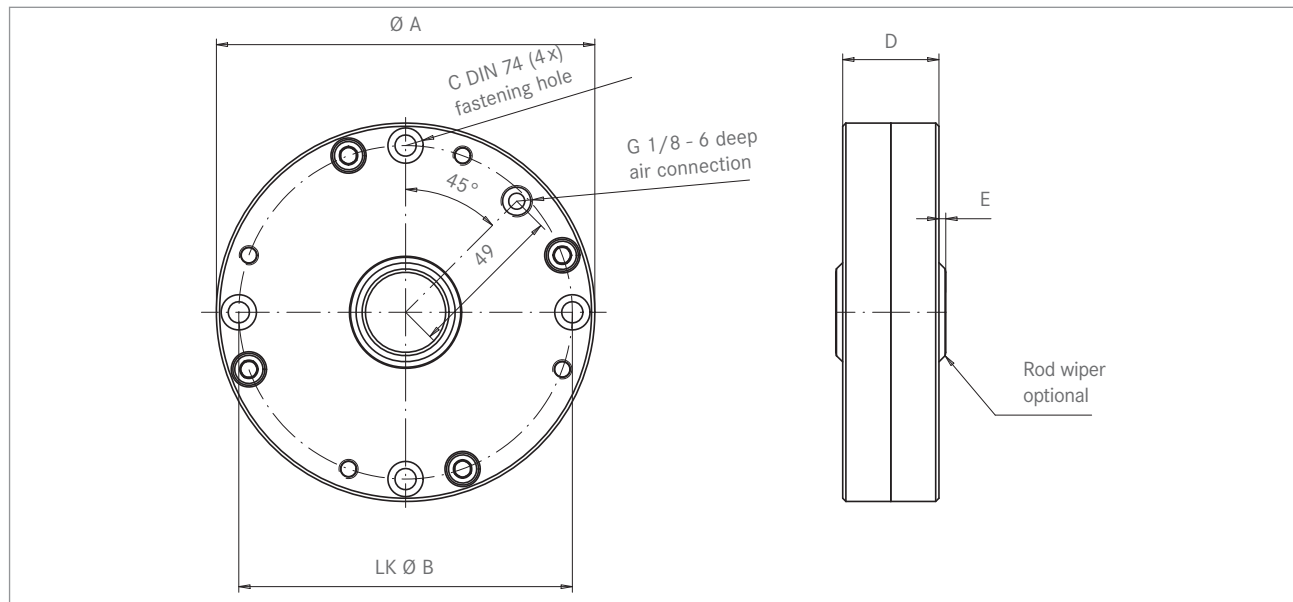
### Technical Data of the PClamp X

Größe	A	B	C	D	E	Air connection	Holding force Version 4 Bar	Holding force Version 6 Bar	Standard rod	Mass
Einheit	[mm]	[mm]		[mm]	[mm]		[N]	[N]	[mm]	[kg]
PC 125-40-1	145	120	M12	90.8	3	G 1/8	7000	10000	40	5.3
PC 125-40-2	145	120	M12	114.4	3	G 1/8	12600	18000	40	7.55
PC 125-40-3	145	120	M12	138	3	G 1/8	18900	27000	40	9.8



### Technical Data of the PClamp E

Size	A	B	C	D	E	Air connection	Holding force Version 4 Bar	Holding force Version 6 Bar	Holding torque Version 4 Bar	Holding torque Version 6 Bar	Standard rod	Mass
Unit	[mm]	[mm]		[mm]	[mm]		[N]	[N]	[Nm]	[Nm]	[mm]	[kg]
PC 63-20 E	92	80	M5	28	2.1	G 1/8	700	1000	7	10	20	1.15
PC 80-25 E	118	104	M6	30	2.14	G 1/8	1050	1500	12	17	25	2.1
PC 125-40 E	168	152	M6	34	3	G 1/8	3500	5000	70	100	40	4.9



02

GENERAL INFORMATION

06

ROTOCLAMP  
DISKCLAMP

24

LINCLAMP

46

PCCLAMP

## REQUEST FORM

Please send by fax to +49 6182 773-35

Company name: \_\_\_\_\_

Address: \_\_\_\_\_

Country/Zip/Location: \_\_\_\_\_

Contact: \_\_\_\_\_

Area/Department: \_\_\_\_\_

Telephone: \_\_\_\_\_

DID: \_\_\_\_\_

Fax: \_\_\_\_\_

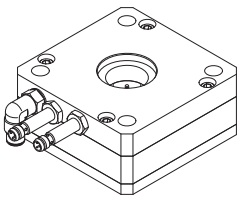
Direct: \_\_\_\_\_

E-Mail: \_\_\_\_\_

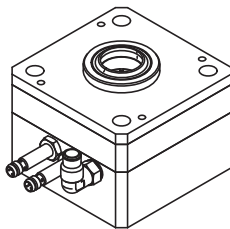
Internet: \_\_\_\_\_

PClAMP systems are suited to for various applications. The following criteria decide on the configuration of the system. Please enter the information as completely and detailed as possible.

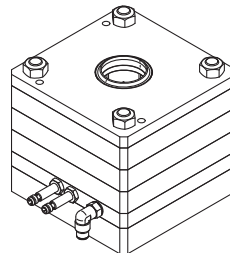
Model (please check):



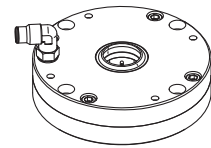
PClamp N



PClamp ISO



PClamp X



PClamp E

Type designation according to the table: \_\_\_\_\_

Surface operating conditions:

Required holding force: \_\_\_\_\_ N

dry

oiled

greased

Required holding torque: \_\_\_\_\_ Nm

Exact designation of the oil/grease: \_\_\_\_\_

System can only open with air:

4 Bar compressed air

6 Bar compressed air

Piston diameter: \_\_\_\_\_ mm

Horizontal operation

Vertical operation

Vertical operation (with free fall)

Required quantity: \_\_\_\_\_

Date of delivery: \_\_\_\_\_

Please call back

Please visit

Use as:

brake system

clamping system

translatory

rotary

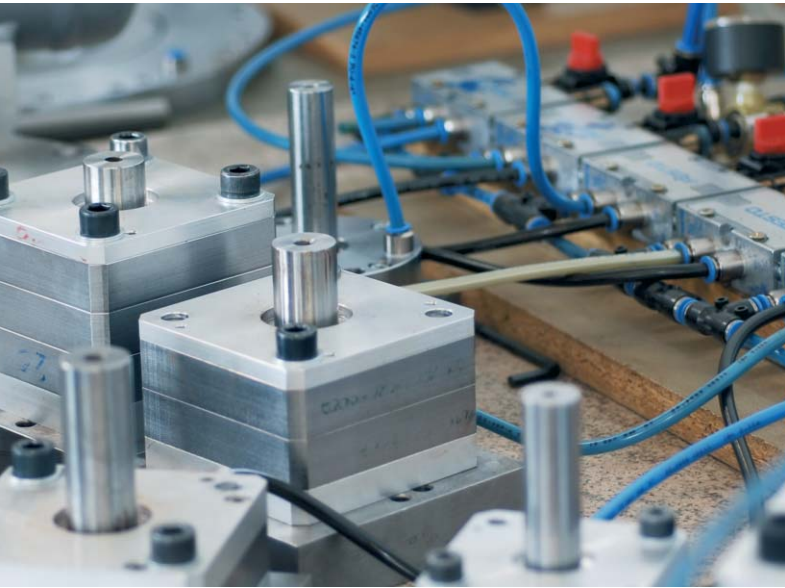
Other: \_\_\_\_\_

Clamping cycles: \_\_\_\_\_ for each \_\_\_\_\_

You can also download this form at:

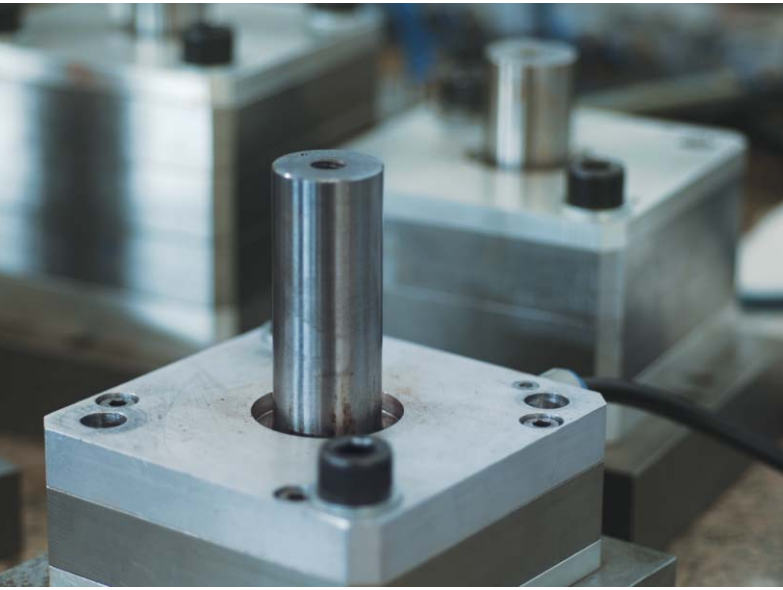
[www.hema-schutz.de](http://www.hema-schutz.de)

# HEMA CLAMPING SYSTEMS





# PC LAMP



# HEMA CLAMPING SYSTEMS



## Quality at HEMA

All clamping systems are subject to the most stringent quality requirements according to the HEMA ISO 9001 System. A 100% check of components at all stages of production ensures absolute quality.

The most modern 3D measuring machines and our own, specially developed testing machines ensure high quality on delivery and continuous performance data.

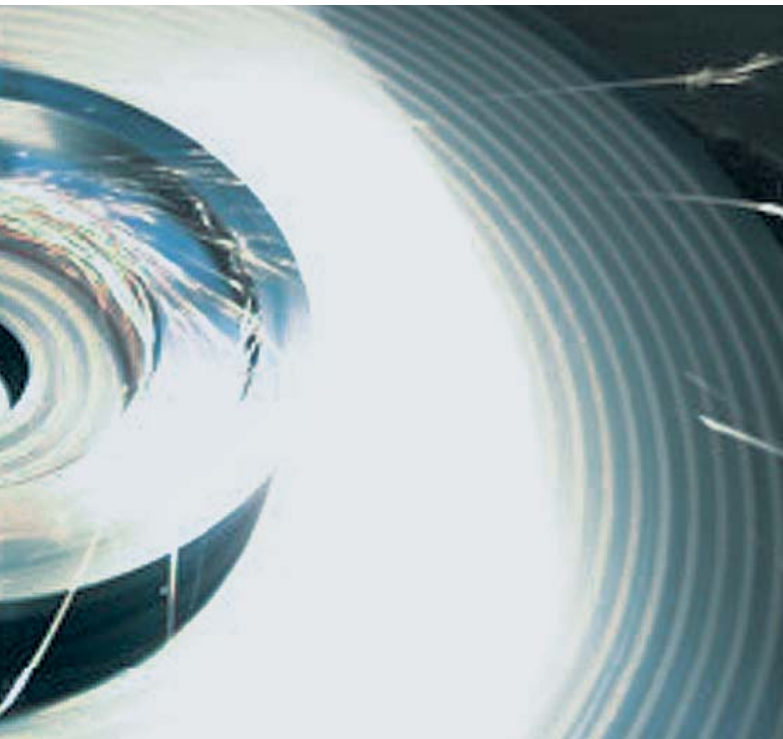
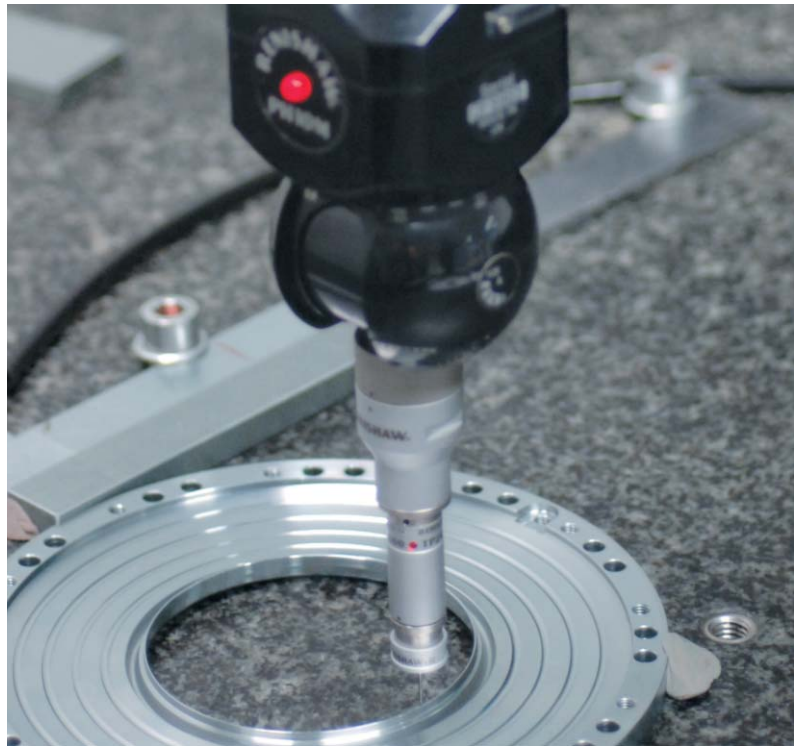
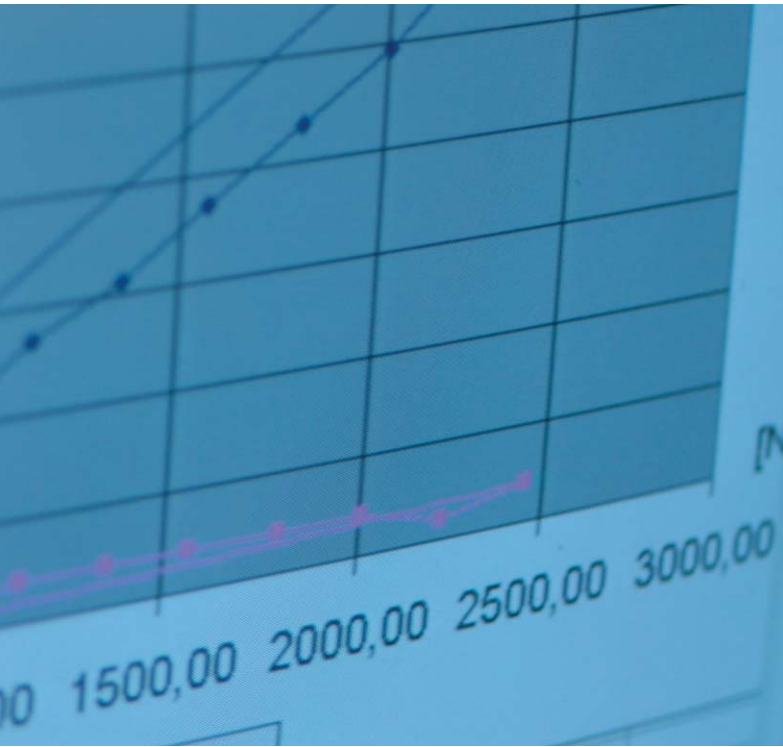
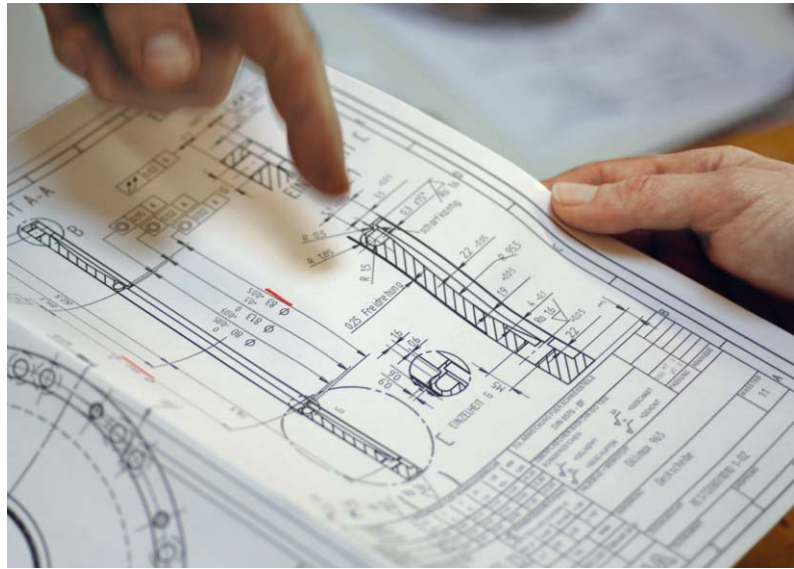
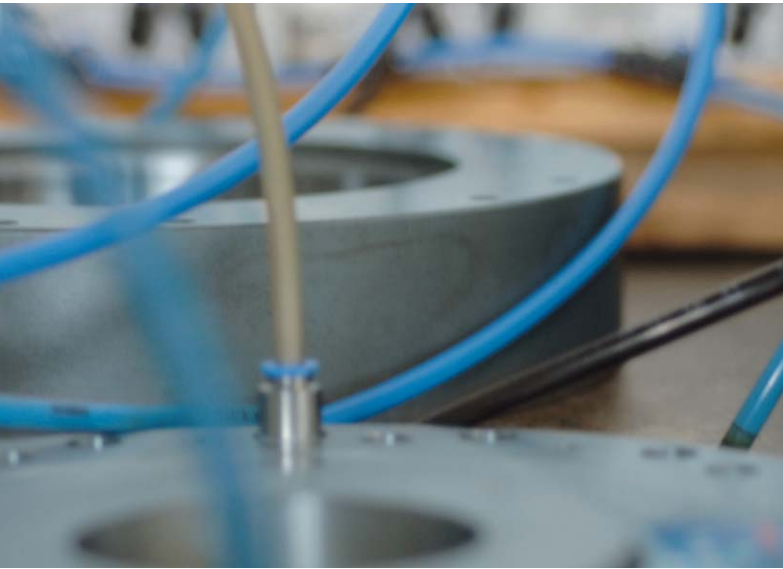
A batch number system allows for unique identification of all performance data for the clamping system delivered in each case. Detailed operating instructions supplement the high-performance systems.



ROTHKONSOL_R_02105214_0TE	
Restweg	T, F, S
0.000	T FRAESER_20_KLEIN Ø 19.288
38.280	F 0.028 8.878
0.000	S 1399. 1488



# QUALITÄT VON HEMA





## Our range of service



Protection systems



Clamping and braking systems



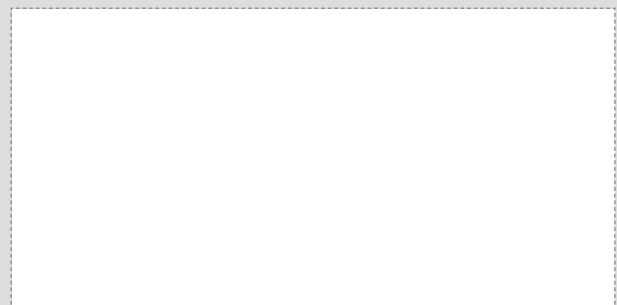
LED Lighting systems



Service, logistics and maintenance

**HEMA Maschinen- und  
Apparateschutz GmbH**  
Seligenstädter Straße 82  
D-63500 Seligenstadt  
Phone: +49 (0) 6182 773-0  
Fax: +49 (0) 6182 773-35  
E-Mail: [info@hema-schutz.de](mailto:info@hema-schutz.de)  
Web: [www.hema-schutz.de](http://www.hema-schutz.de)

Authorized contract partner:



Released: August 2013, all rights to make changes reserved.  
Reprinting and publication only with written permission of HEMA.  
All technical data and drawings in this catalogue show standard  
guide values that may differ in the actual situation. Please check in  
particular the drilling patterns and installation situation.

Values indicated are not binding; the value indicated on the order  
confirmation always applies. RotoClamp, LinClamp and PClamp are  
developments of InnoTech Engineering GmbH. DiskClamp is a  
developments of HEMA Maschinen- und Apparateschutz GmbH.

**ADVANTAGE HEMA.  
INNOVATION NEVER ENDS.**

Tailor made Protective Systems

