

Preset counters, electronic

LED preset counters **Dual preset counters with 4 switch outputs and analog output** **572**



Counter series for demanding applications with two individually scalable encoder inputs, each A, /A, B, /B, for count frequencies up to 1 MHz per channel.

Programmable operating modes include position or event counter, totalizer, difference counter, cut-to-length display, diameter calculation and many more.



AC/DC 24/17 ... 30V	000000 DIN 96x48	IP65 High protection level	max. 1 MHz	Operation with gloves	TTL, HTL and RS422 input	6/8 LEDs LED display	DC out 5 / 24 V	mA, V Analog output optional	4 Transistor output	RS232 Interface
-------------------------------	----------------------------	--------------------------------------	----------------------	------------------------------	---------------------------------	--------------------------------	---------------------------	--	-------------------------------	---------------------------

Innovative

- 3 display values: counter 1, 2 as well as calculation-based display.
- 2 separate freely scalable count inputs: HTL or TTL (also with inverted inputs) max. input frequency 1 MHz/channel.
- Very bright LED display, 15 mm (6-digit) and 10 mm (8-digit) high.
- 4 freely programmable fast solid-state outputs, each with 350 mA output current.
- Step or tracking presets.
- Simple programming – with function codes, dependent on the operating mode selected.
- With 8 different fixed count functions, such as simple count, difference count and total count of both inputs, batch counter etc.

Compact and multifunctional

- AC and DC supply voltage in one device.
- Simple programming with 4 keys and programmable dual functions.
- Can be used as counter or position display with limit values, where 2 values are monitored or calculated with respect to each other.
- 4 fast, programmable inputs with various functions, such as reset, gate, display memory (store), reference input or switching between the display values.
- Scalable analog output 0/4 ... 20 mA, ±10 V or 0 ... 10 V.
- RS232 interface as standard, for parameter setting, readout of values or for modifications during operation.
- 2 auxiliary power supplies for sensors: 5.2 V DC and 24 V DC.

Order specifications

4 fast switch outputs and serial interface (RS232)

	Order no.
6 digits	6.572.0116.D05 ¹⁾
6 digits, scalable analog outputs	6.572.0116.D95 ¹⁾
8 digits	6.572.0118.D05 ¹⁾
8 digits, scalable analog outputs	6.572.0118.D95 ¹⁾

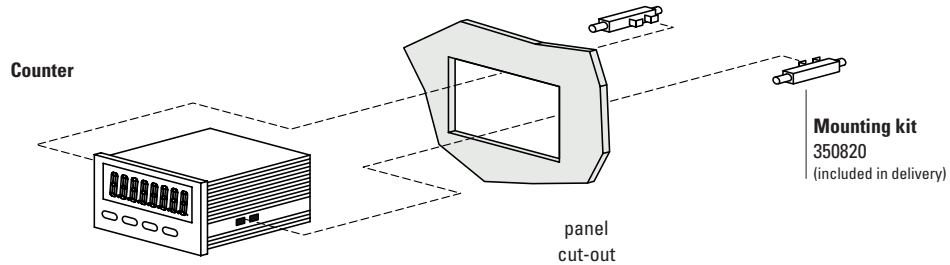
Delivery specification

- Controller 572
- Gasket
- Fastening set
- Instruction manual German/English

1) Stock types

LED preset counters **Dual preset counters with 4 switch outputs and analog output** **572**

Accessories / Mounting examples



		Type / size	Description		Order no.	
Mounting kit			1 kit consists of 2 latch hooks		350820	
Mounting frame		cut-out 92 x 45 mm [3.62 x 1.77"]	for snap-on mounting on 35 mm [1.38"] top-hat DIN rail	grey	G300005	–
Software for parameter setting OSxx			https://www.kuebler.com/de/docu-finder search box: OS1			

incl. in delivery

Technical data

General technical data		
Display	6 digits	LED display, 15 mm mm [0.59"]high
	8 digits	LED display, 10 mm mm [0.39"]high
Operating temperature	0 °C ... +45 °C [+32 °F ... +113 °F] (non-condensing)	
Storage temperature	-25 °C ... +70 °C [-13 °F ... +158 °F]	

Electrical characteristics		
Supply voltage	24 V AC, + 10 % 24 (17 ... 30) V DC	
Current consumption DC	100 mA + current consumption encoder	
Connected load AC	15 VA	
Auxiliary power supply output for sensors	2 x 5.2 V DC, each 150 mA 2 x 24 V DC, each 120 mA	
Device safety	designed to protection class	EN 61010 part 1 2
	application area	pollution level 2

Inputs		
Universal incremental encoder inputs	2	
Count frequency (per encoder)	RS422 and TTL with Inv.	1 MHz
	HTL asymmetric	200 kHz
	TTL asymmetric	200 kHz
Control inputs HTL	4	
Input resistor	3.3 kOhm	
Switching level	LOW	< 2.5 V
	HIGH	> 10 V
Min. pulse duration	50 µs	

Mechanical characteristics		
Housing	Noryl UL94-V-0	
Screw terminal	cable cross-section	max. 1.5 mm ² [AWG 25]
Protection	IP65 (front side)	
Weight	approx. 250 g [8.82 oz]	

Outputs		
Switch outputs	4 fast power transistors	
	Reaction time	5 ... 30 V DC, 350 mA < 1ms ¹⁾
	Inductive loads require a freewheeling diode	
Serial interface	RS232, 2400 ... 38400 Baud	
Analog outputs	Current	
	Load	0 / 4 ... 20 mA max. 270 Ohm
	Voltage	0 ... +10 V (max. 2 mA)
	Resolution	14 bit
	Precision	0.1 %
	Reaction time	< 1 m

Approvals		
CE compliant in accordance with	EMC Directive 2014/30/EU	
	RoHS Directive 2011/65/EU	
	Low Voltage Directive 2014/35/EU	
UKCA compliant in accordance with	EMC Regulations S.I. 2016/1091	
	RoHS Regulations S.I. 2012/3032	
	Low Voltage Regulations S.I. 2016/1101	

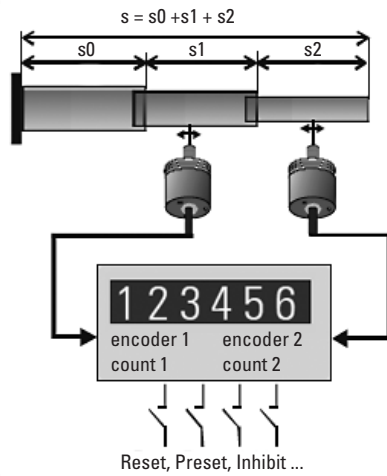
1) Intensive serial communication can temporarily prolong the reaction time

Preset counters, electronic

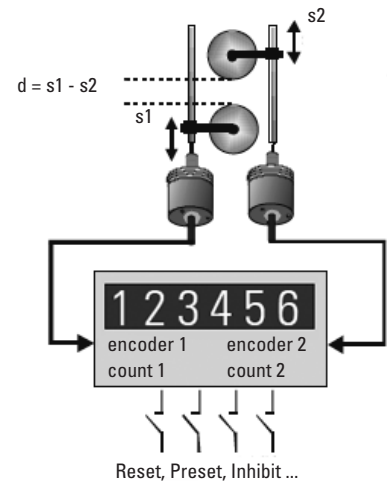
LED preset counters Dual preset counters with 4 switch outputs and analog output 572

Application examples

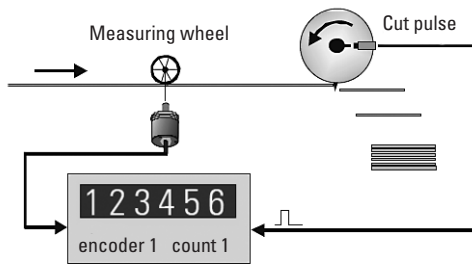
Total position display



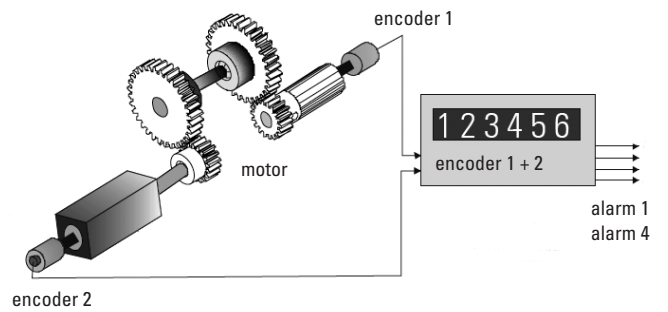
Difference position display



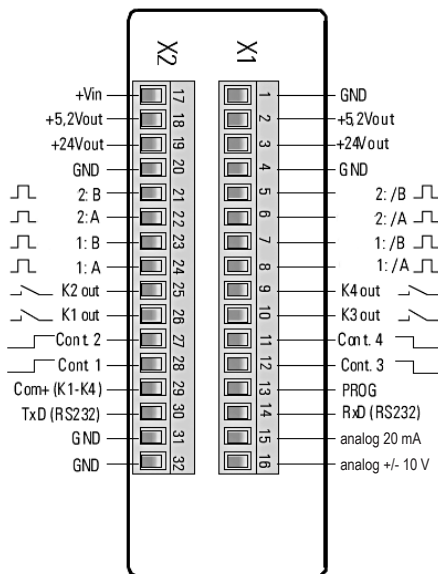
Measurement of the effective cut amount



Monitoring of torsion, shafts or gear breakage

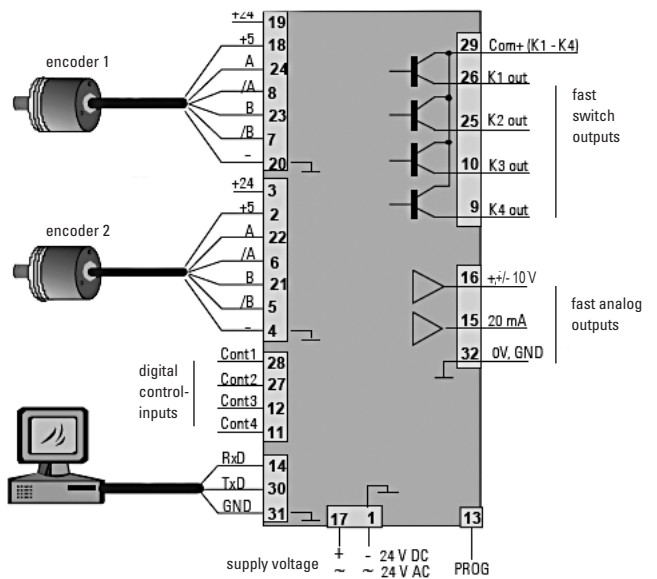


Terminal assignment



Connection examples

Example shows encoder with 5 V-supply and TTL / RS422-output

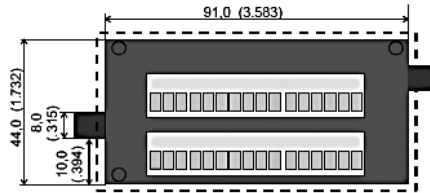
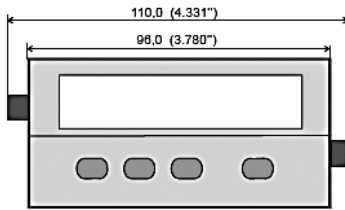


Preset counters, electronic

LED preset counters **Dual preset counters with 4 switch outputs and analog output** **572**

Dimensions

Dimensions in mm [inch]



Panel cut-out 92 x 45 mm [3.62 x 1.77]

