

TELESCOPIC BRACE



CONCEPT

Telescopic braces with a press mechanism enable fall protection to be set up quickly, safely and in accordance with regulations. They can be used for lift shaft doors in structural works and when modernising existing buildings. Optionally, they can be delivered with telescopic knee and foot guard elements made from hard plastic. They can be enhanced to prevent larger areas from being breached by means of additional retainers and a sealing screen. This concept is particularly suitable for securing doorways when installing lifts without scaffolding.

BENEFITS

- TUEV approved, reusable solution with GS seal
- Two variants to enable lengths between 700 and 1.100 mm and 1.000 and 1.650 mm
- Quick and easy assembly (bracing) – no need for drilled holes or anchor fittings
- Tension force can be checked visually
- The modular system enables flexibility with regard to enclosing parts and securing larger openings
- Can also be used from the inside of the shaft
- Sturdy plastic intermediate beams that are less fragile and safer than wooden beams and can be fitted easily
- Sealing screen with company logo and/or warning symbols if required
- Small packaging size with moderate weight
- Complies with German BGI 807/10.02 and BGG 928/04.94

DETAILS

MATERIAL Galvanised steel pipes, PVC, polyethylene foil

HEIGHT Approx. 1.000 mm

WIDTH S0 version: 700 -1.100 mm, S1 version: 1.000 -1.650 mm

NET SCREEN 2.500 x 2.100 mm with grommet strap on top side

FOIL HOLDER Telescopic, total height of 2.000 - 2.300 mm

INTERMEDIATE BEAMS Approx. 109 mm high

Optionally, spacing pieces can be delivered in the form of artificial structural reveals. A transport bag is also available to make the equipment easier to transport.

Patent granted: Patent no. EP 1052 345



MULTI-PURPOSE BARRIERS



CONCEPT

Multi-functional safety barriers for securing work areas with public access such as when carrying out maintenance work on MRL lifts or escalators. You can screw/click together as many single panels as you want in order to create a chain.

BENEFITS

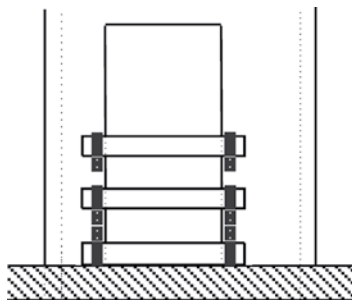
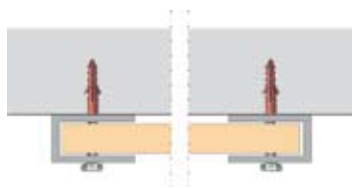
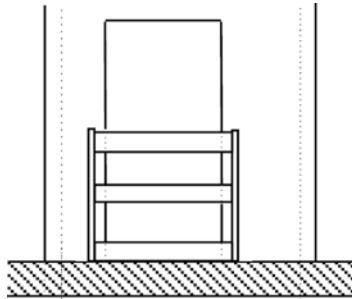
- In yellow to indicate danger; with warning sign
- Sturdy
- Easy to clean
- Can be used both inside and outside
- Moderate packaging size
- If required, different warning signs or company logos can be applied
- Optional stands are available to provide greater stability

MULTI-PURPOSE BARRIERS



Version 2

**DETAILS (VERSION 1)****MATERIAL** Polyethylene plastic, hard rubber stand, 7 kg**WIDTH** 970 mm**HEIGHT** 800 mm**DEPTH** 30 mm**WEIGHT** 3 kg per element**STANDARD DESIGN** Barrier with 3 panels**DETAILS (VERSION 2)****MATERIAL** Polyethylene plastic, hard rubber stand, 7 kg**WIDTH** 1.100 mm**HEIGHT** 1.100 mm**DEPTH** 30 mm**WEIGHT** 5.5 kg per element**STANDARD DESIGN** Barrier with 3 panelsDo you have questions about our products?
We're happy to help.**Phone: +49(0)71 34-34 38**


CONCEPT

Steel brackets for the erection of 3-part side protections for e.g. lift shaft doors. As Z profile or U profile design. To be screwed on.

BENEFITS

- Quick and easy assembly
- Cost-efficient
- The U bracket can be attached outside or inside the structural reveals
- Particularly short assembly time for U profile solution

DETAILS ON U PROFILE

MATERIAL Primed steel

HEIGHT Approx. 1.000 mm

DIMENSIONS 40 x 40 x 3 mm

BOREHOLE SIZE 8.5 mm

DETAILS ON Z PROFILE

MATERIAL Galvanised steel, 3 mm

LENGTH 220 mm

WIDTH 60 mm

BOREHOLE SIZE 8.5 mm

NAIL HOLE SIZE 4 mm

Standard-compliant wooden elements for hand, knee and toe rails must be provided at the site.