

## T-slot bolts DIN 787

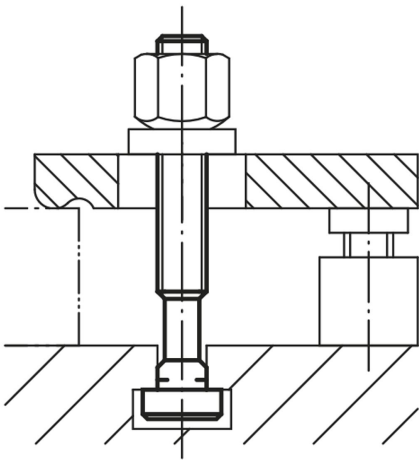
### Item description/product images



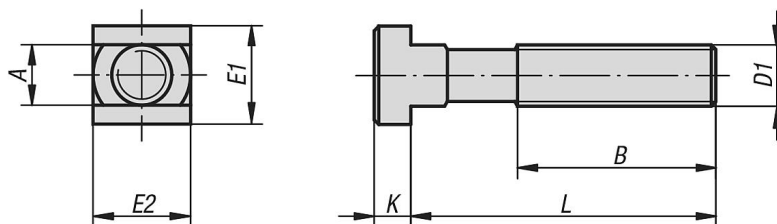
### Description

**Material:**  
Carbon steel.

**Version:**  
Forged and milled, rolled thread.  
M6-M12 tempered to 10.9, black.  
M14-M36 tempered to 8.8, black.



### Drawings



### Overview of items

### T-slot bolts DIN 787

## T-slot bolts DIN 787

## Overview of items

Order No.	Slot width	D1	L	A	B	E1/E2	K
B0095.0625	6	M6	25	5,7	15	10	4
B0095.0640	6	M6	40	5,7	28	10	4
B0095.0663	6	M6	63	5,7	40	10	4
B0095.0832	8	M8	32	7,7	22	13	6
B0095.0850	8	M8	50	7,7	35	13	6
B0095.0880	8	M8	80	7,7	50	13	6
B0095.1040	10	M10	40	9,7	30	15	6
B0095.1063	10	M10	63	9,7	45	15	6
B0095.10100	10	M10	100	9,7	60	15	6
B0095.1250	12	M12	50	11,7	35	18	7
B0095.1263	12	M12	63	11,7	40	18	7
B0095.1280	12	M12	80	11,7	55	18	7
B0095.12100	12	M12	100	11,7	65	18	7
B0095.12125	12	M12	125	11,7	75	18	7
B0095.12160	12	M12	160	11,7	100	18	7
B0095.12200	12	M12	200	11,7	120	18	7
B0095.1450	14	M12	50	13,7	35	22	8
B0095.1463	14	M12	63	13,7	45	22	8
B0095.1480	14	M12	80	13,7	55	22	8
B0095.14100	14	M12	100	13,7	65	22	8
B0095.14125	14	M12	125	13,7	75	22	8
B0095.14160	14	M12	160	13,7	100	22	8
B0095.14200	14	M12	200	13,7	120	22	8
B0095.16631	16	M14	63	15,7	45	25	9
B0095.16801	16	M14	80	15,7	55	25	9
B0095.161001	16	M14	100	15,7	65	25	9
B0095.161251	16	M14	125	15,7	75	25	9
B0095.161601	16	M14	160	15,7	100	25	9
B0095.162501	16	M14	250	15,7	150	25	9
B0095.1663	16	M16	63	15,7	45	25	9
B0095.1680	16	M16	80	15,7	55	25	9
B0095.16100	16	M16	100	15,7	65	25	9
B0095.16125	16	M16	125	15,7	85	25	9
B0095.16160	16	M16	160	15,7	100	25	9
B0095.16200	16	M16	200	15,7	125	25	9
B0095.16250	16	M16	250	15,7	150	25	9
B0095.1863	18	M16	63	17,7	45	28	10
B0095.1880	18	M16	80	17,7	55	28	10
B0095.18100	18	M16	100	17,7	65	28	10
B0095.18125	18	M16	125	17,7	85	28	10
B0095.18160	18	M16	160	17,7	100	28	10
B0095.18200	18	M16	200	17,7	125	28	10
B0095.18250	18	M16	250	17,7	150	28	10
B0095.2080	20	M20	80	19,7	55	32	12
B0095.20100	20	M20	100	19,7	65	32	12
B0095.20125	20	M20	125	19,7	85	32	12
B0095.20160	20	M20	160	19,7	110	32	12
B0095.20200	20	M20	200	19,7	125	32	12
B0095.20250	20	M20	250	19,7	150	32	12
B0095.20315	20	M20	315	19,7	190	32	12
B0095.2280	22	M20	80	21,7	55	35	14
B0095.22100	22	M20	100	21,7	65	35	14
B0095.22125	22	M20	125	21,7	85	35	14
B0095.22160	22	M20	160	21,7	110	35	14
B0095.22200	22	M20	200	21,7	125	35	14
B0095.22250	22	M20	250	21,7	150	35	14
B0095.22315	22	M20	315	21,7	190	35	14
B0095.24100	24	M24	100	23,7	70	40	16
B0095.24125	24	M24	125	23,7	85	40	16
B0095.24160	24	M24	160	23,7	110	40	16
B0095.24200	24	M24	200	23,7	125	40	16
B0095.24250	24	M24	250	23,7	150	40	16

## T-slot bolts DIN 787

### Overview of items

Order No.	Slot width	D1	L	A	B	E1/E2	K
B0095.24315	24	M24	315	23,7	190	40	16
B0095.24400	24	M24	400	23,7	240	40	16
B0095.28100	28	M24	100	27,7	70	44	18
B0095.28125	28	M24	125	27,7	85	44	18
B0095.28160	28	M24	160	27,7	110	44	18
B0095.28200	28	M24	200	27,7	125	44	18
B0095.28250	28	M24	250	27,7	150	44	18
B0095.28315	28	M24	315	27,7	190	44	18
B0095.28400	28	M24	400	27,7	240	44	18
B0095.36125	36	M30	125	35,6	80	54	22
B0095.36160	36	M30	160	35,6	110	54	22
B0095.36200	36	M30	200	35,6	135	54	22
B0095.36250	36	M30	250	35,6	150	54	22
B0095.36315	36	M30	315	35,6	200	54	22
B0095.36500	36	M30	500	35,6	300	54	22
B0095.42160	42	M36	160	41,6	100	65	26
B0095.42250	42	M36	250	41,6	175	65	26
B0095.42400	42	M36	400	41,6	250	65	26