

WR 600



short description

Ventilation unit with very effective heat recovery through cross-counter-flow exchanger, EC motors with constant volumetric flow regulation, interval mode, 150 - 620 m³/h, 4 x DN 250, including RLS 1 WR operator unit, DIBT and passive energy house approval, KNX connection possible

Article number 0095.0080

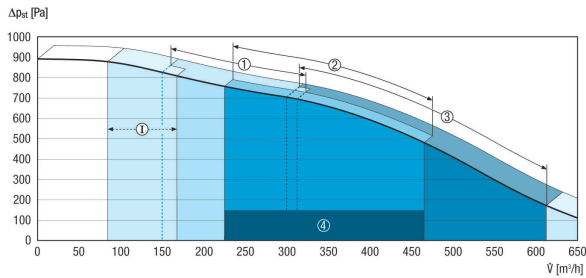
Technical Data

Number of ventilation levels	4
Air flow volume	150 - 620 m ³ /h
Volumetric flow constant	Yes
Type of voltage	Alternating current
Rated voltage	230 V
Frequency	50 Hz / 60 Hz
Power consumption	56 - 303 W / At 100 Pa counter pressure
I _{max}	3 A
Degree of protection (IP)	00
DIBT approval	Yes
PH certification	Yes
Installation site	Cellar, Storage tank, Jamb wall, Utility room, Heating room, Loft
Installation position	horizontal
Housing material	Sheet steel, powder coated
Heat exchanger material	Aluminium
Inner coating material	Synthetic material
Colour	pearl light grey
Weight	87 kg
Filter class	G4, F7
Connection diameter	250 mm
Connection diameter of condensation drain	3/4" hose connection
Width x height x depth	1115 x 1200 x 505 mm
Airstream temperature at I _{Max}	50 °C
Degree of heat provision	89 %
Heat exchanger construction type	Cross-counterflow
Bypass, integrated	No
Antifreeze circuit	Yes
Summer circuit	No
Humidity control	HY 5, HY 5 I, HY 10 AP, HY 10 UP
CO ₂ control	SKD

WR 600

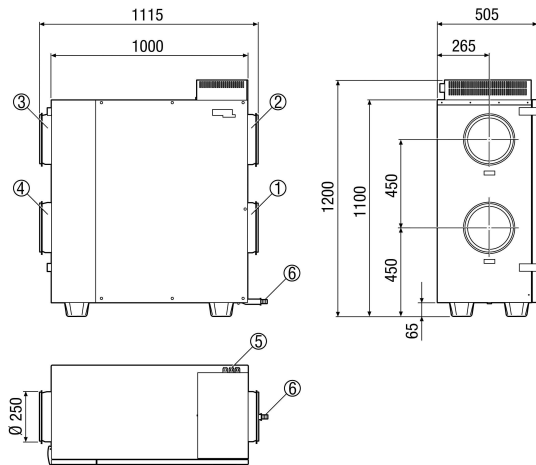
Air quality control	EAQ 10/2
KNX connection possible	Yes
Control unit included in scope of delivery.	RLS 1 WR
Control unit optional	RLS D1 WR
Sound pressure level	43 dB(A)/46 dB(A)/50 dB(A)/Spacing 1m, sound absorption 10 m ²
Range	K
EAN	4012799950806

Characteristic curve



- I - Interval operation
- 1 - Reduced ventilation
- 2 - Nominal ventilation
- 3 - Intensive / Party operation
- 4 - Recommended configuration range

Dimensions [mm]



- ① DN 250 outgoing air
- ② DN 250 supply air
- ③ DN 250 exhaust air
- ④ DN 250 outside air
- ⑤ Electrical connection
- ⑥ Condensation drain (3/4" hose connection)