

Features:

- ✓ Easy
- ✓ Good value
- ✓ Variable



...the constructive plastic element connecting technology



Light load range

Technical data/Properties Page 29

Right angle tube connector..... Page 34

Axially parallel tube connector..... Page 38

Hinge tube connector Page 41

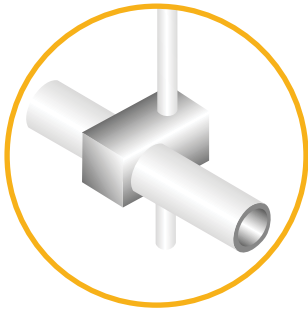
Accessories Page 48

Light Clamps

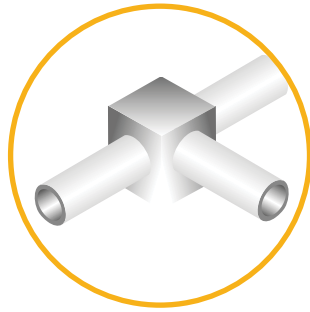


...the constructive plastic element connecting technology

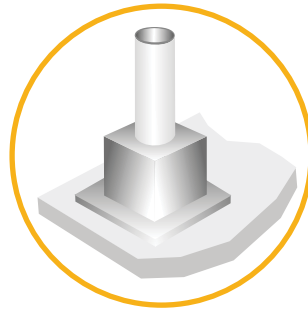
■ Right angle tube connector



Cross clamps

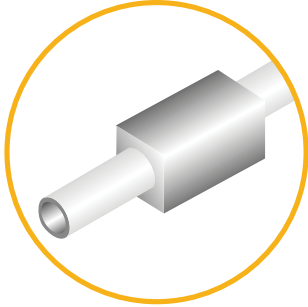


Angle clamps

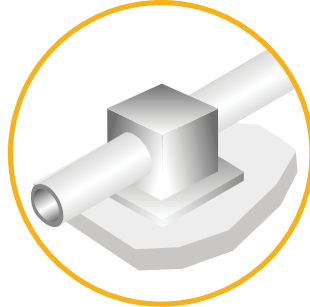


Base clamps

■ Axially parallel tube connector

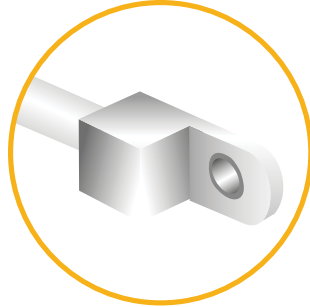


Sleeve clamps

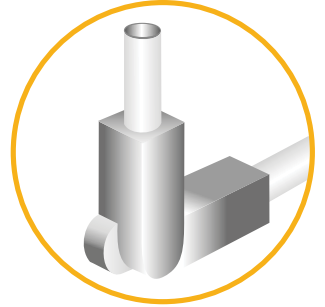


Flange clamps

■ Hinge tube connector



Strap clamps



Hinge clamps

Features:

- Only one element per type (Ø18 / Ø30 / □ 30)
- Elements made of reinforced polyamide
- Closed elements or half cups
- Tube clamping of different diameters or sections due to a special bush system
- Every bush form is worked with the needed tube diameter

- Anti turning device for the bush former due to a lokation pin in the bush
- Attractive design
- Zinc plated screws
- Compatibility to the BLOCAN® profile system

Options:

- Equipped with stainless steel screws for usage in the food industry and the wet areas in the beverage industry

Table of contents - RK LightClamps

<p>Right angle tube connector (Single-piece and multi-piece elements)</p> 	<ul style="list-style-type: none"> ■ Cross clamps p. 34 ■ Angle clamps p. 36 ■ Base clamps p. 37
<p>Axially parallel tube connector (Single-piece and multi-piece elements)</p> 	<ul style="list-style-type: none"> ■ Sleeve clamps p. 38 ■ Flange clamps p. 39
<p>Hinge tube connector (Single-piece and multi-piece elements)</p> 	<ul style="list-style-type: none"> ■ Strap clamps p. 41 ■ Hinge clamps p. 43
<p>Properties</p>	<ul style="list-style-type: none"> ■ Resistance to chemicals p. 46
<p>Accessories</p>	<ul style="list-style-type: none"> ■ Reducing bushes \varnothing p. 48 ■ Reducing insert \square p. 48 ■ Clamping lever p. 49 ■ Screws – Zinc-plated steel p. 49 ■ Screws – Stainless steel p. 49



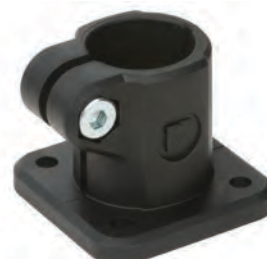
Version:

■ Light Clamps



Single-piece elements

✓ For faster and more economic assembly



Multi-piece elements

✓ For add-on assembly and upgrading



Features:

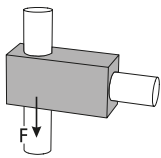
- Resistance against corrosion and aggressive substances
- Low dead load
- Applicable e.g. in the food packaging industry
- Two basic diameters can be flexibly adapted with reducing bushes

delivery
from stock

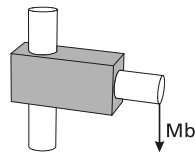
Loads *RK LightClamps*

Attention!

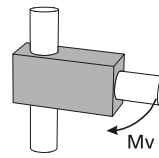
The data in the chart do not ensure a guarantee of quality or a warrant characteristic of our products. These are nonbinding standard values which might be not reached in individual cases due to the temperature or surface finish of the clamping profile.



Adhesion force F [kN]



Bending moment Mb [Nm]



Twisting moment Mv [Nm]

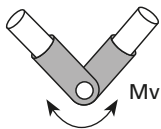
Tightening torque max:

Sizes: 10 – 18: 2,5 Nm

Sizes: 20 – 30: 8,0 Nm

Material data sheet
available upon request.

Sizes Type	□10			Ø12 - 18			□20			Ø20 - 30			□30			Ø30		
	F	Mb	Mv	F	Mb	Mv	F	Mb	Mv	F	Mb	Mv	F	Mb	Mv	F	Mb	Mv
Cross clamps																		
K-KU	0,30	130	15	0,50	111	5	0,50	164	31	1,00	184	11,50						
KV-KU													1,30	122	23	1,60	120,50	19
KVR-KU Insert													1,40	136	23	1,60	142,50	19
KVR-KU Bushes													0,60	134,50	30,50	1,80	107,50	19
Angle clamps																		
W-KU	0,20	91	8	0,60	83	4,50	0,60	153,50	30	1,00	177	10,50						
WV-KU													1,00	136,50	23	1,40	109,50	15,50
Base clamps																		
FS-KU	0,20	36	11	0,40	40	2,50	0,60	158	31	1,10	181,50	13						
FV-KU													1,00	77	23	1,60	72	19,50
Sleeve clamps																		
M-KU	0,10	91	8	0,50	75,50	4	0,70	225,50	31	1,00	242,50	11,50						
Flange clamps																		
FK-KU	0,20	35	7,50	0,40	38,50	4	0,60	134,50	31	1,20	137,50	12,50						
FKV-KU													1,30	144,50	23	1,60	142,50	20,50
V-KU													0,90	-	23	1,20	-	15,50
Strap clamps																		
LP-KU	0,30	16	7,50	0,40	18,50	4,50	0,70	38,50	27	0,90	41,50	11,50						
LPZ-KU	0,40	16	7,50	0,50	18,50	2,50	0,70	43	28	0,90	45,50	12						
LW-KU	0,20	27,50	7,50	0,70	27,50	4	0,80	40,50	31	1,10	41	14						
LF-KU																		



Twisting moment Mv [Nm]

Sizes Type	□10		Ø12 - 18		□20		Ø20 - 30		□30		Ø30	
		Mv		Mv		Mv		Mv		Mv		Mv
Hinge clamps												
GW-KU ohne Verzahnung		1,50		1,70		4,00		4,20				
GWZ-KU mit Verzahnung												
GP-KU ohne Verzahnung		1,10		1,50		2,50		2,10				
GPZ-KU mit Verzahnung												
GF-KU ohne Verzahnung												
GFZ-KU mit Verzahnung		27		23		68		68				

Reducing bushes / -insert size

You can choose the size of the insert you want to introduce into the clamping element between 10 and 25 mm.

The basic size of the round tubular connections is either 18 or 30mm. For any other required diameter the corresponding reducing bush can be delivered.

Should you work with square tubes, which offer a choice between 10 and 20 mm, reducing bushes are a necessity.

Reducing bushes / -insert form

Not only can you choose the diameter of the reducing bush you require, you also have the possibility to choose its form. All you need to do is to choose the tube section you would like to work with.

The following forms are at your disposal:

For round tubes \emptyset
For square tubes \square

Detailed information for the reducing bushes and inserts can be found in the chapter accessories page 48

Order information and accessories

The clamping elements are automatically provided with a zinc-plated fixation screw. Also, stainless steel screws and plastic levers can be optionally ordered for the fixation.

The reducing bushes and -inserts are not included in the standard delivery. They are separately listed in the accessory chapter.

Delivery set:

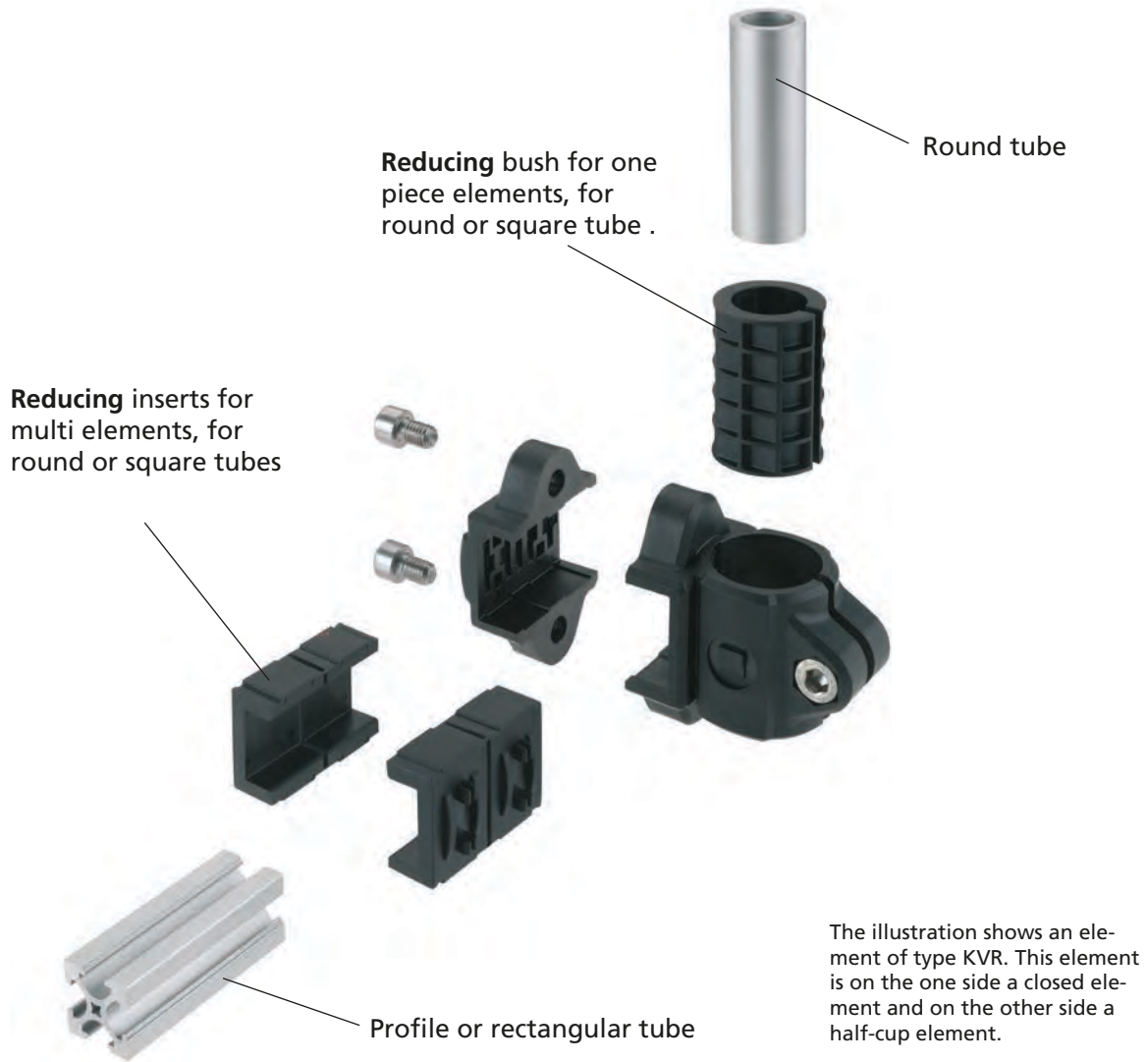
The code number contains one packaging unit.
Type 12-18 10 pieces in PET bags
Type 20-30 5 pieces in PET bags

Applications:

- ✓ Areas of the laboratory technology
- ✓ Food industry
- ✓ Wet area in the beverage industry
- ✓ Photo technical applications



The variable reduction sleeve concept :



RK LightClamps – Comprehensive view

Right angle tube connector



Axially parallel tube connector



Hinge tube connector





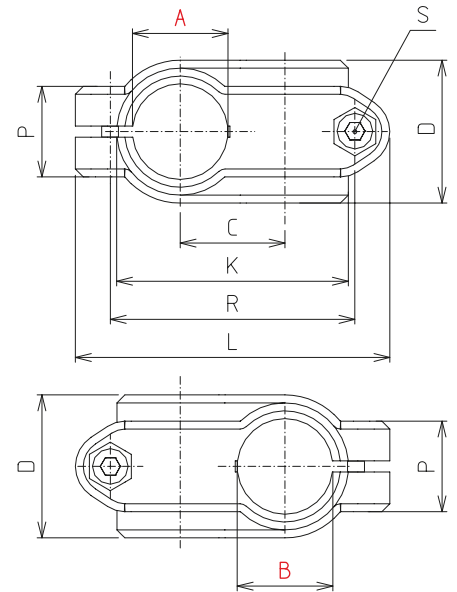
RK LightClamps – Cross clamps

Order information:

- Inserts and bushes for diameter/cross-section changes see accessories page 48
- For clamping levers see accessories page 49

On request:

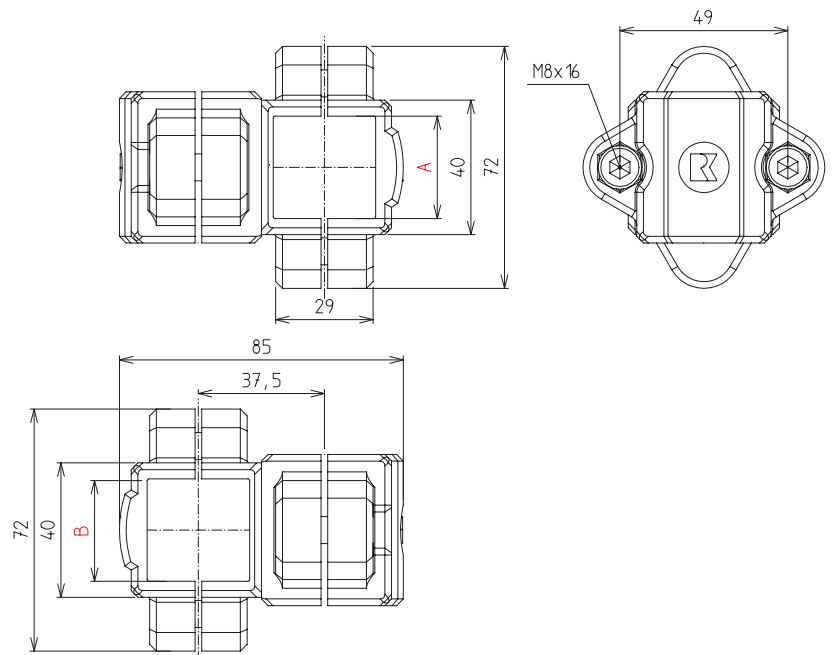
- Stainless screws



Cross clamp K-KU

[mm]

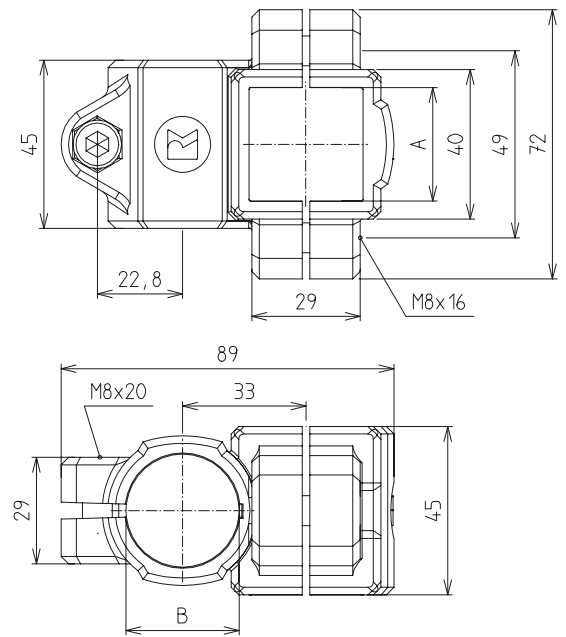
Code No.	Type	Packaging	Clamping *		C	D	K	L	P	R	S	Weight m [g]
			A	B								
K00018CCSR18R18	12-18	10 pcp.	18		20	30	48	63	21	48	M6x18	50
K00030BCSR30R30	20-30	5 pcp.	30		33	45	72	99	28,5	77	M8x25	132



Cross clamp KV-KU

[mm]

Code No.	Type	Packaging	Clamping *		Weight m [g]
			A	B	
K00530BCSV30V30	20-30	5 Pcp.		30	171



Cross clamp KVR-KU

[mm]

Code No.	Type	Packaging	Clamping *		Weight m [g]
			A	B	
K00430BCSR30V30	20-30	5 Pcp.	30		117

* Reduction of the diameter or cross section of the clamping with inserts and bushes possible

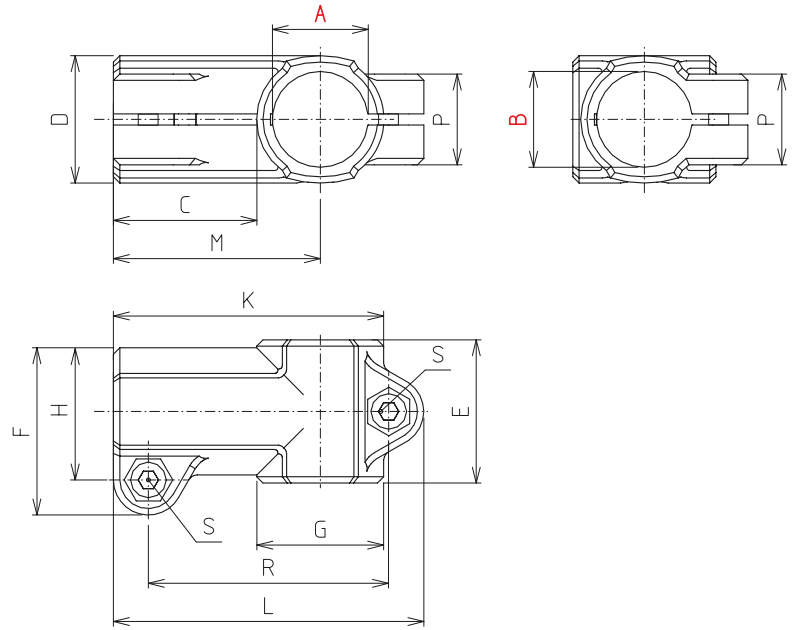
RK LightClamps – Angle-/Base clamps

Order information:

- Inserts and bushes for diameter/cross-section changes see accessories page 48
- For clamping levers see accessories page 49

On request:

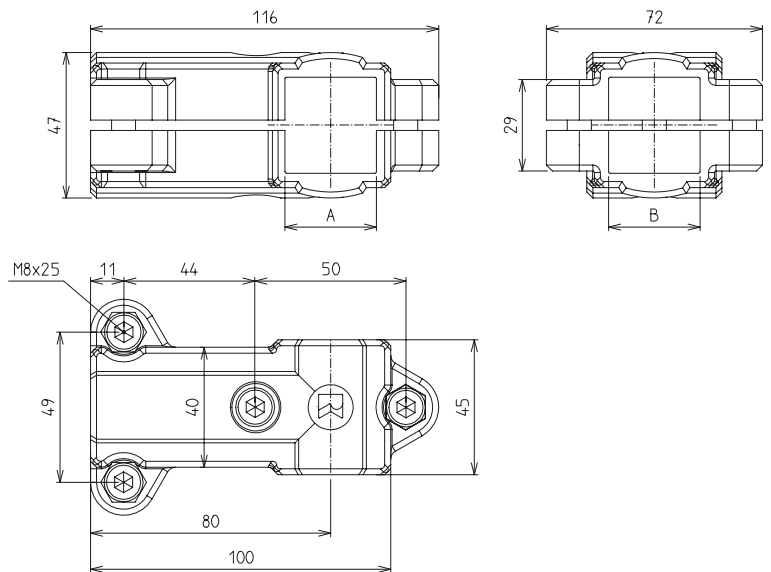
- Stainless screws



Angle clamps W-KU

[mm]

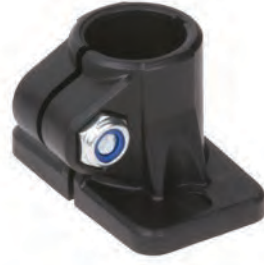
Code No.	Type	Packaging	Clamping*		C	D	E	F	G	H	K	L	M	P	R	S	Weight m [g]
			A	B													
K10018CCSR18R18	12-18	10 Pcp.	18		30,5	25	30	34	25	26,5	55,5	64,5	43	21	49,5	M6x18	44
K10030BCSR30R30	20-30	5 Pcp.	30		45	40	45	52,5	40	41,5	85	97,5	65	28,5	75,5	M8x25	115



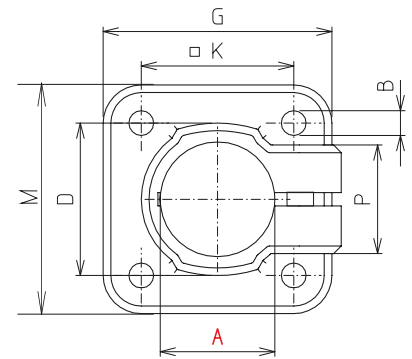
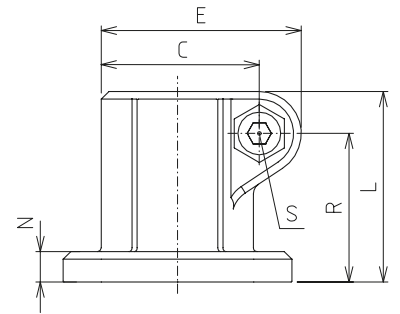
Angle clamps WV-KU

[mm]

Code No.	Type	Packaging	Clamping* A	Weight m [g]
K10430BCSV30V30	20-30	5 Pcp.	30	194



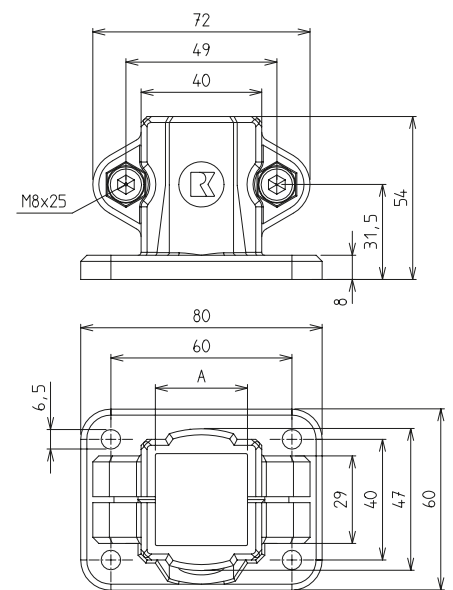
FS-KU 18/2
* Dimension of K are turned by 90° with a distance of 38-40 mm (slotted hole)



Base clamps FS-KU

[mm]

Code No.	Type	Packaging	Clamping* A	B	C	D	E	G	K	L	M	N	P	R	S	Weight m [g]
K30018CCSR18	12-18	10 Pcp.	18	5,3	26,5	26	34	45	30	32	45	5	21	24,5	M6x18	30
K30118CCSR18	18/2	10 Pcp.	18	5,5	26,5	26	34	30	38	32	50	5	21	18,5	M6x18	30
K30030BCSR30	20-30	5 Pcp.	30	6,5	41,5	40	52,5	60	40	50	60	8	28,5	39	M8x25	75



Base clamps FV-KU

[mm]

Code No.	Type	Packaging	Clamping* A	Weight m [g]
K30530BCSV30	20-30	5 Pcp.	30	121

* Reduction of the diameter or cross section of the clamping with inserts and bushes possible

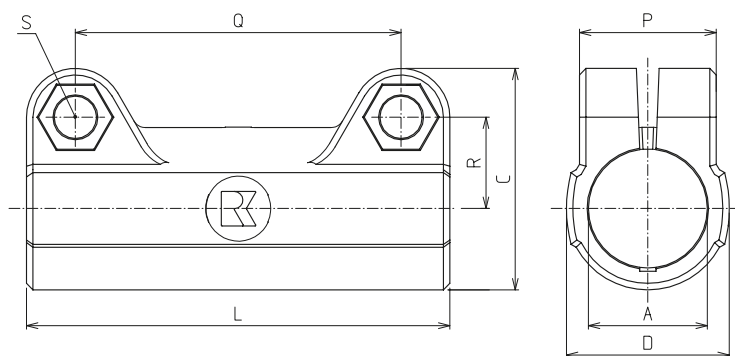
RK LightClamps – Sleeve-/Flange clamps

Order information:

- Inserts and bushes for diameter/cross-section changes see accessories page 48
- For clamping levers see accessories page 49

On request:

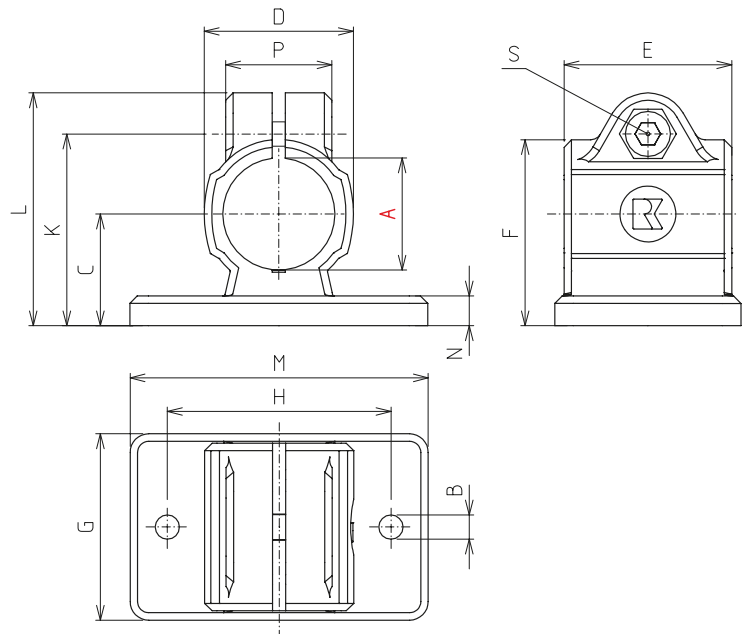
- Stainless screws



Sleeve clamp M-KU

[mm]

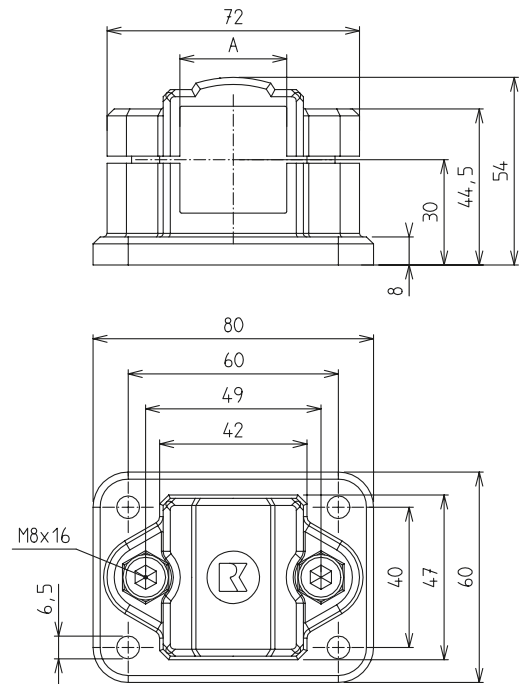
Code No.	Type	Packaging	Clamping *		C	D	L	P	Q	R	S	Weight m [g]
			A	B								
K40018CCSR18R18	12-18	10 Pcp.	18		34	25	65	21	50	14	M6x18	28
K40030BCSR30R30	20-30	5 Pcp.	30		52,5	40	95	28,5	73	22,8	M8x25	87



Flange clamp FK-KU

[mm]

Code No.	Type	Packaging	Clamping * A	B	C	D	E	F	G	H	K	L	M	N	S	Weight m [g]
K20018CCSR18	12-18	10 Pcp.	18	5,3	18	25	30	30,5	35	40	32	39,5	50	5	M6x18	30
K20030BCSR30	20-30	5 Pcp.	30	6,5	30	40	45	50	50	60	52,8	62,5	80	8	M8x25	84



Flange clamp FKV-KU

[mm]

Code No.	Type	Packaging	Clamping * A	Weight m [g]
K20530BCSV30	20-30	5 Pcp.	30	125

* Reduction of the diameter or cross section of the clamping with inserts and bushes possible

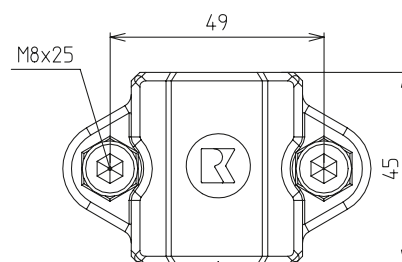
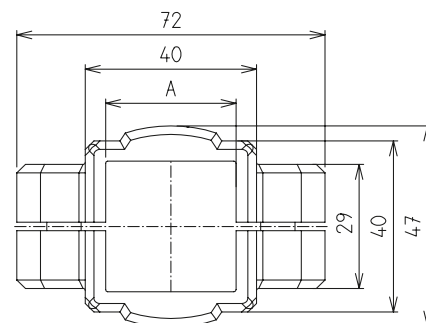
RK LightClamps – Flange-/Strap clamps

Order information:

- Inserts and bushes for diameter/cross-section changes see accessories page 48
- For clamping levers see accessories page 49

On request:

- Stainless screws



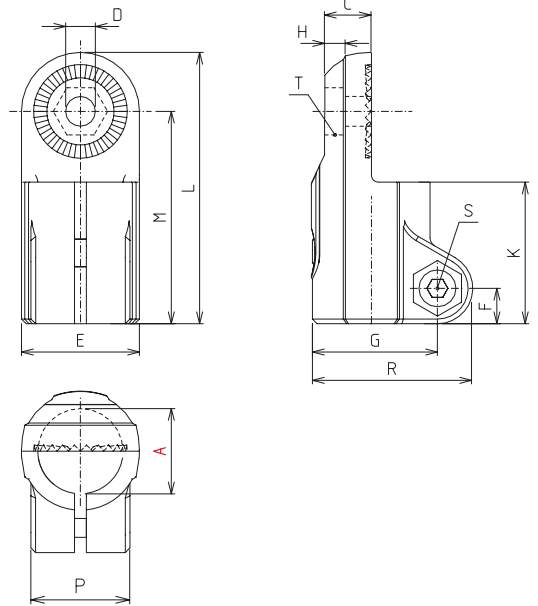
Flange clamp V-KU

[mm]

Code No.	Type	Packaging	Clamping * A	Weight m [g]
K20830BCSV30	20-30	5 Pcp.	30	90



15° toothing, internal

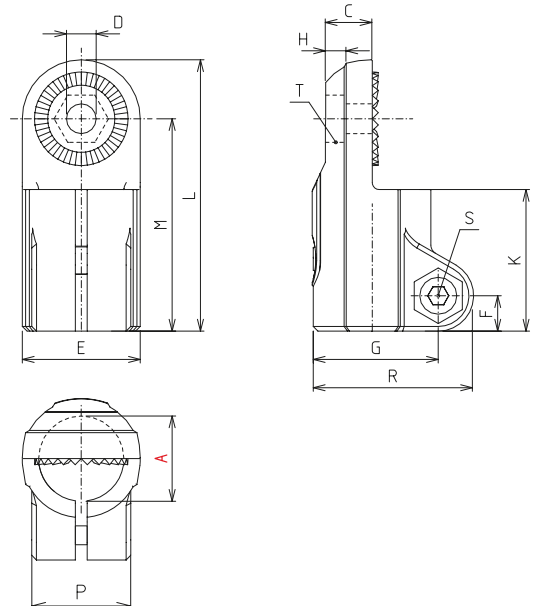

Strap clamp LP-KU

[mm]

Code No.	Type	Packaging	Clamping* A	C	D	E	F	G	H	K	L	M	P	R	S	T	Weight m [g]
K70118CCSR18	12-18	10 Pcp.	18	9,9	6,1	25	7,5	26,5	5,9	30	57,5	45	21	34	M6x18	M6-DIN985	28
K70130BCSR30	20-30	5 Pcp.	30	16,5	8,1	40	11	41,5	9,9	45	88	68	28,5	52,5	M8x25	M8-DIN985	86



15° toothing, external


Strap clamp LPZ-KU

[mm]

Code No.	Type	Packaging	Clamping* A	C	D	E	F	G	H	K	L	M	P	R	S	T	Weight m [g]
K71018CCSR18	12-18	10 Pcp.	18	9,9	6,1	25	7,5	26,5	5,9	30	57,5	45	21	34	M6x18	M6-DIN985	28
K71030BCSR30	20-30	5 Pcp.	30	16,5	8,1	40	11	41,5	9,9	45	88	68	28,5	52,5	M8x25	M8-DIN985	87

* Reduction of the diameter or cross section of the clamping with inserts and bushes possible

RK LightClamps – Strap-/Hinge clamps

Order information:

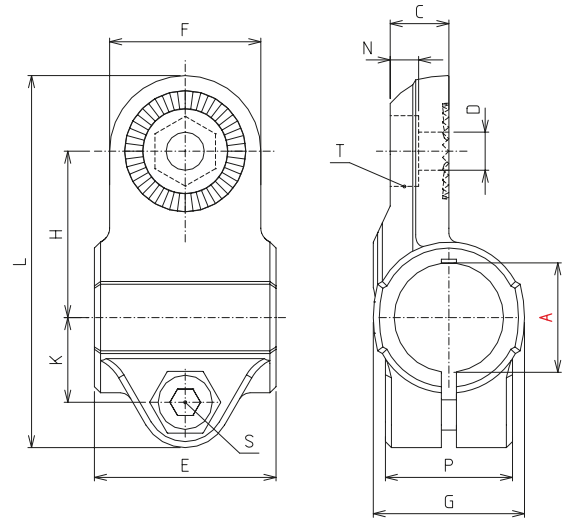
- Inserts and bushes for diameter/cross-section changes see accessories page 48
- For clamping levers see accessories page 49

On request:

- Stainless screws



15° toothing, internal



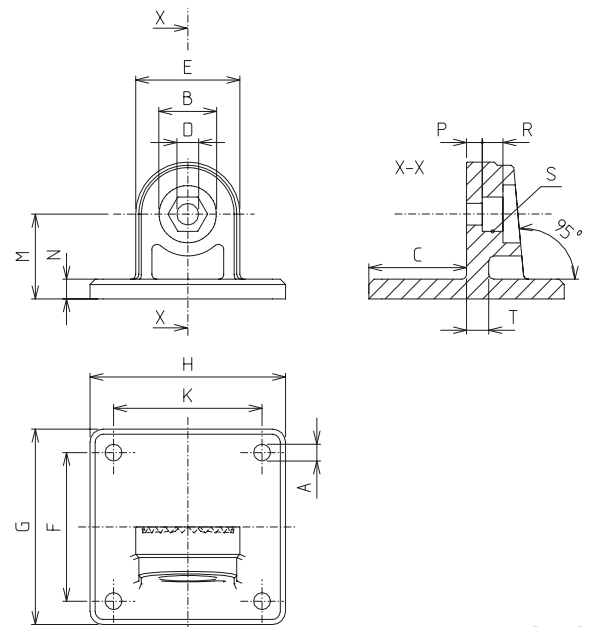
Strap clamp LW-KU

[mm]

Code No.	Type	Packaging	Clamping* A	C	D	E	F	G	H	K	L	M	P	S	T	Weight m [g]
K70018CCSR18	12-18	10 Pcp.	18	9,7	6,1	30	25	25	27,5	14	61,5	5,7	21	M6x18	M6-DIN985	29
K70030BCSR30	20-30	5 Pcp.	30	16,5	8,1	45	40	40	43	21,5	95,5	9,9	28,5	M8x25	M8-DIN985	91



15° toothing, internal

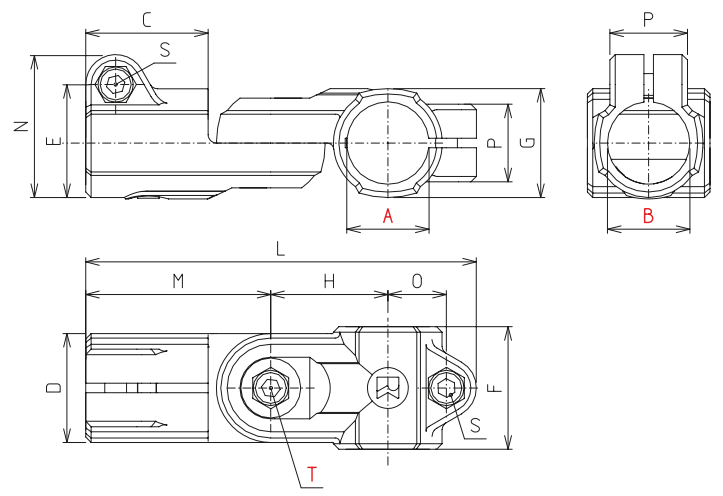


Strap clamp LF-KU

[mm]

Code No.	Type	Packaging	A	B	C	D	E	F	G	H	K**	M	N	P	R	S	T	Weight m [g]
K70218CCS	12-18	10 Pcp.	5,3	15	25	6,1	25	40	50	35	0	20	5	4,5	5,5	M6-DIN985	5	17
K70230BCS	20-30	5 Pcp.	6,5	22	37,5	8,1	40	60	75	75	60	32,5	7,5	6,6	8,2	M8-DIN985	7	77

** For Type 12-18, only 2 bores (centered) available.



Hinge clamp GW-KU (without tothing) GWZ-KU (with tothing)

[mm]

Code No.	Type	Packaging	Clamping *		C	D	E	F	G	H	L	M	N	O	P	S / T	Weight m [g]
			A	B													
K80118CCSR18R18	GW 12-18	10 Pcp.	18		30	25	26,5	30	25	27,5	94	45	34	14	21	M6x18	67
K80418CCSR18R18	GWZ 12-18	10 Pcp.	18		30	25	26,5	30	25	27,5	94	45	34	14	21	M6x18	67
K80130BCSR30R30	GW 20-30	5 Pcp.	30		45	40	41,5	45	40	43	143,5	68	52,5	32,5	28,5	M8x25	177
K80430BCSR30R30	GWZ 20-30	5 Pcp.	30		45	40	41,5	45	40	43	143,5	68	52,5	32,5	28,5	M8x25	178

GW – without tothing, 180° infinitely
GWZ – with tothing, rotation of 180°, 15° intervals

* Reduction of the diameter or cross section of the clamping with inserts and bushes possible

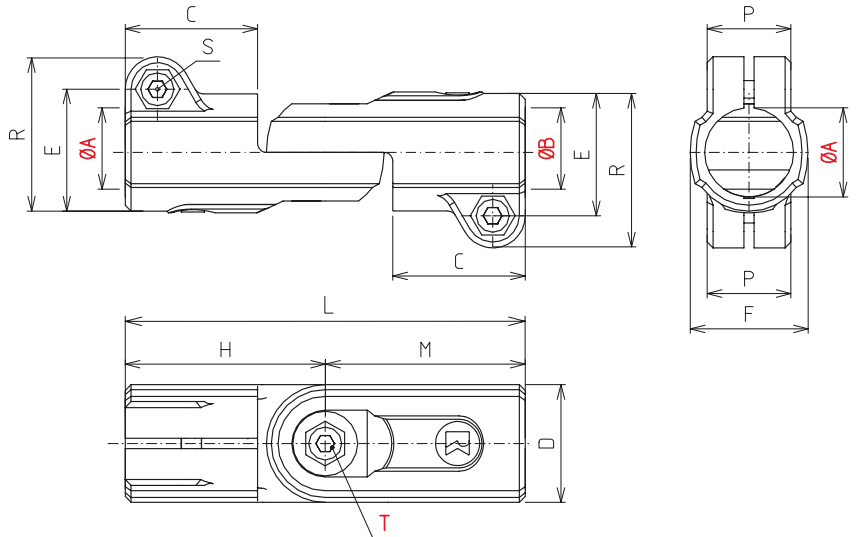
RK LightClamps – Hinge clamp

Order information:

- Inserts and bushes for diameter/cross-section changes see accessories page 49
- For clamping levers see accessories page w

On request:

- Stainless screws

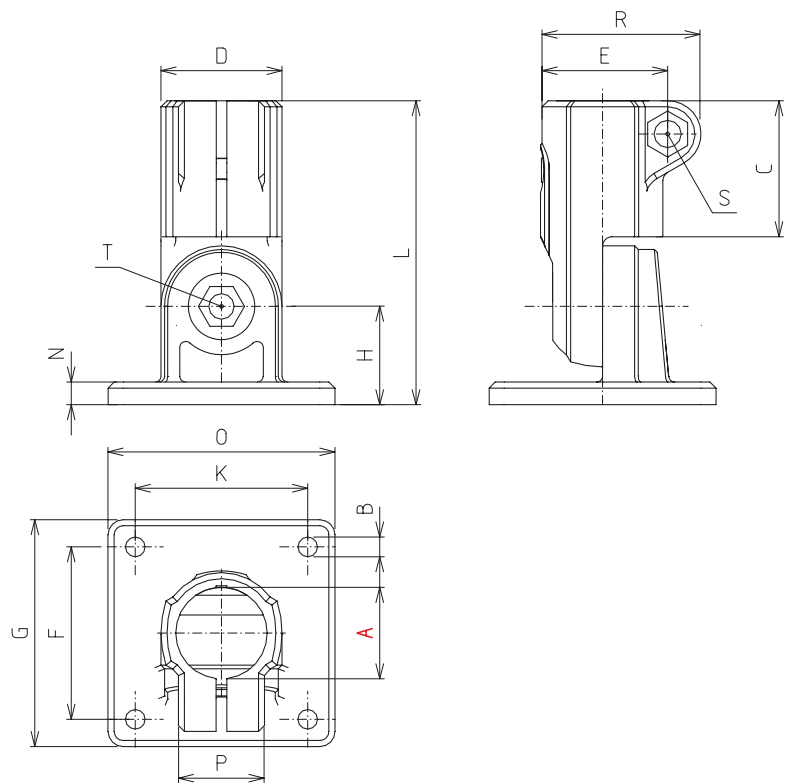


Hinge clamp GP-KU (without tothing) GPZ-KU (with tothing)

[mm]

Code No.	Type	Packaging	Clamping *		C	D	E	F	H	L	M	P	R	S / T	Weight m [g]
			A	B											
K80018CCSR18R18	GP 12-18	10 Pcp.	18		30	25	26,5	30	45	90	45	21	34	M6x18	66
K80518CCSR18R18	GPZ 12-18	10 Pcp.	18		30	25	26,5	30	45	90	45	21	34	M6x18	66
K80030BCSR30R30	GP 20-30	5 Pcp.	30		45	40	41,5	40	68	136	68	28,5	52,5	M8x25	194
K80530BCSR30R30	GPZ 20-30	5 Pcp.	30		45	40	41,5	40	68	136	68	28,5	52,5	M8x25	194

GW – without tothing, 180° infinitely
GWZ – with tothing, rotation of 180°, 15° intervals



Hinge clamp GF-KU (without tothing) GFZ-KU (with tothing)

[mm]

Code No.	Type	Packaging	Clamping* A	B	C	D	E	F	G	H	K*	L	N	O	P	R	S / T	Weight m [g]
K80218CCSR18	GF 12-18	10 Pcp.	18	5,3	30	25	26,5	40	50	20	0	65	5	35	21	34	M6x18 M6x16	55
K80718CCSR18	GFZ 12-18	10 Pcp.	18	5,3	30	25	26,5	40	50	20	0	65	5	35	21	34	M6x18 M6x16	55
K80230BCSR30	GF 20-30	5 Pcp.	30	6,5	45	40	41,5	60	75	32,5	60	100,5	7,5	75	28,5	52,5	M8x25	184
K80730BCSR30	GFZ 20-30	5 Pcp.	30	6,5	45	40	41,5	60	75	32,5	60	100,5	7,5	75	28,5	52,5	M8x25	185

GW – without tothing, 180° infinitely
GWZ – with tothing, rotation of 180°, 15° intervals

* Reduction of the diameter or cross section of the clamping with inserts and bushes possible

Medium	resistant	conditionally resistant	not resistant
Acetic acid		●	
Aqua regia			○
Benzene + Fuel	●		
Benzole	●		
Brake fluid	●		
Butane	●		
Butanol	●		
Butyl acetate	●		
Carbon Tetrachloride	●		
Caustic soda	●		
Chloroflouorocarbon	●		
Chloroform		●	
Cresol		●	
Dekalin	●		
Dibutyl phthalate	●		
Diesel	●		
Dimethylformamide		●	
Diocyl phthalate	●		
Dioxan	●		
Engine oils	●		
Ethanol		●	
Fats + Waxes	●		
Fatty acids	●		
Gear oil	●		
Glycol		●	
Glystantin	●		
Glycerine	●		
Heating oil	●		
Heptane, Hexane	●		
Hydraulic oil	●		
Hydrochloric acid			○
Isopropanol	●		
Isooctane	●		
Methanol		●	
Methylene chloride			○
Mineral oils		●	
Naphthalene	●	●	
Ozone			○
Phenol		●	
Phosphoric acid		●	

Medium	resistant	conditionally resistant	not resistant
Potassium hypochloride			○
Sulphuric acid			○
Silicone oil	●		
Styrolene	●		
Tetrahydrofurane	●		
Toluol	●		
Trichlorethylene		◐	
Water	●		
Xylene		◐	

This table is valid for all the clamping elements of the RK Light-Clamps programme.
 The indications in the table are provided without guarantee, being the materials behaviour under real application conditions affected by different factors i.e. temperature, substance concentration, short-term or permanent presence of chemicalp.

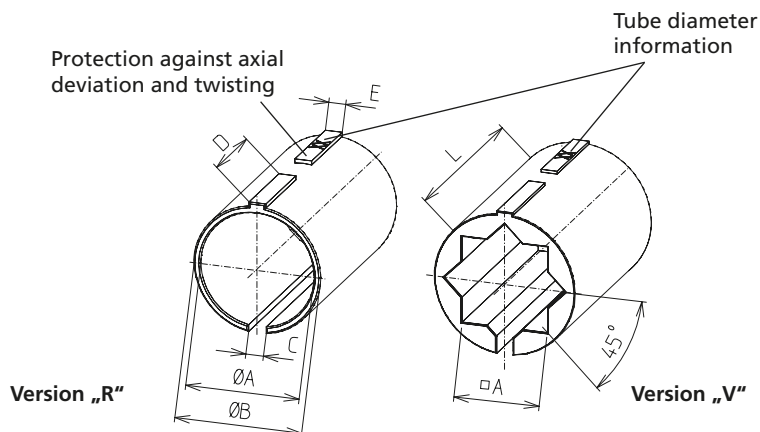
Material	Reinforced polyamide
Working temperature	always
0°C bis 80°C	temporary
-30°C bis 120°C	



RK LightClamps – Accessories

Order information:

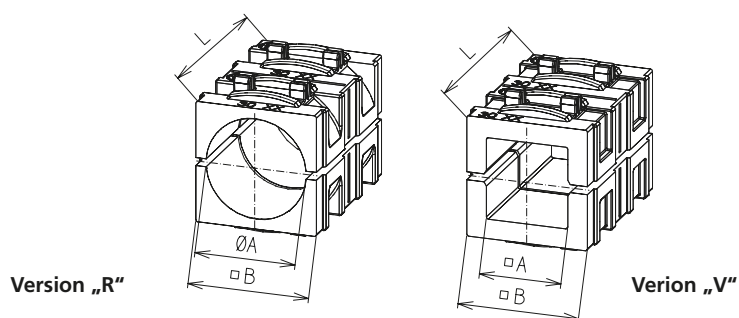
- The code number contains one packaging unit



Reducing bushes for single-piece elements

[mm]

Code No.	Type	Version	Packaging	A + 0,1	B	C	D	E	L
96200CC	12-18	R12	10 Pcp.	12,25	18	2,5	11,9	2,4	30
96209CC	12-18	R13	10 Pcp.	13,25	18	2,5	11,9	2,4	30
96201CC	12-18	R14	10 Pcp.	14,25	18	2,5	11,9	2,4	30
96202CC	12-18	R15	10 Pcp.	15,25	18	2,5	11,9	2,4	30
96203CC	12-18	R16	10 Pcp.	16,25	18	2,5	11,9	2,4	30
96205CC	12-18	V10	10 Pcp.	10,25	18	2,5	11,9	2,4	30
96204BC	20-30	R20	5 Pcp.	20,25	30	3,5	18,9	3,4	45
96206BC	20-30	R25	5 Pcp.	25,25	30	3,5	18,9	3,4	45
96208BC	20-30	V20	5 Pcp.	20,25	30	3,5	18,9	3,4	45



Reducing inserts for multi-piece elements

[mm]

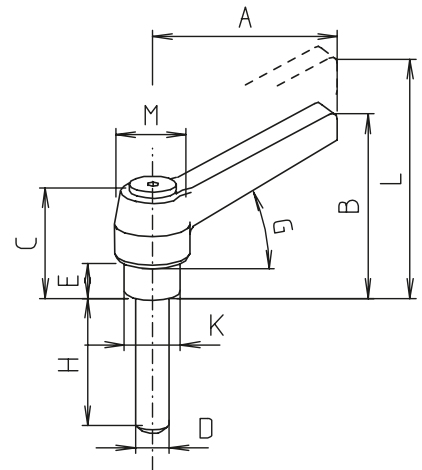
Code No.	Type	Version	Packaging	A	B	L
963000BC	20-30	R20	5 Pcp.	20,25	30,3	45
963002BC	20-30	R25	5 Pcp.	25,25	30,3	45
963004BC	20-30	R30	5 Pcp.	30,25	30,3	45
963001BC	20-30	V20	5 Pcp.	20,50	30,3	45
963003BC	20-30	V25	5 Pcp.	25,50	30,3	45

Clamping lever



- The clamping lever enables the re-adjustment of the clamping element. This can be done by easy exchange of the cylinder screw.
- By lifting the grip, the free movement of the serration toothing enables the clamping lever to swing into the desired position. The grip moves into its original position when released.

Material: Grip made of polyamide, black, screws made of zinc-plated or stainless steel



Stainless steel (single-piece elements)

[mm]

Code No.	Type	A	B	C	D	E	G	H	K	L	M
93024	12-18	40	35,5	30	M6	10	20°	18	10	39,5	13
902381	20-30	65	48,5	36,5	M8	14		25	13	52,5	18



Screws – Steel, zinc-plated

[mm]

Code No.	Type	Size	Description	Packaging
4006160	12-18	M6x18 / DIN 7984	Socket head cap screw	100 Pcp. / bag
4006116		M6 / DIN 985	Hexagonal nut	
4006180	20-30	M8x16 / DIN 7984	Socket head cap screw	50 Pcp. / bag
4006185		M8x25 / DIN 7984	Socket head cap screw	
4006118		M8 / DIN 985	Hexagonal nut	



Screws – Stainless steel

[mm]

Code No.	Type	Size	Description	Packaging
4009160	12-18	M6x18 / DIN 7984	Socket head cap screw	100 Pcp. / bag
4009116		M6 / DIN 985	Hexagonal nut	
4009180	20-30	M8x16 / DIN 7984	Socket head cap screw	50 Pcp. / bag
4009185		M8x25 / DIN 7984	Socket head cap screw	
4009118		M8 / DIN 985	Hexagonal nut	





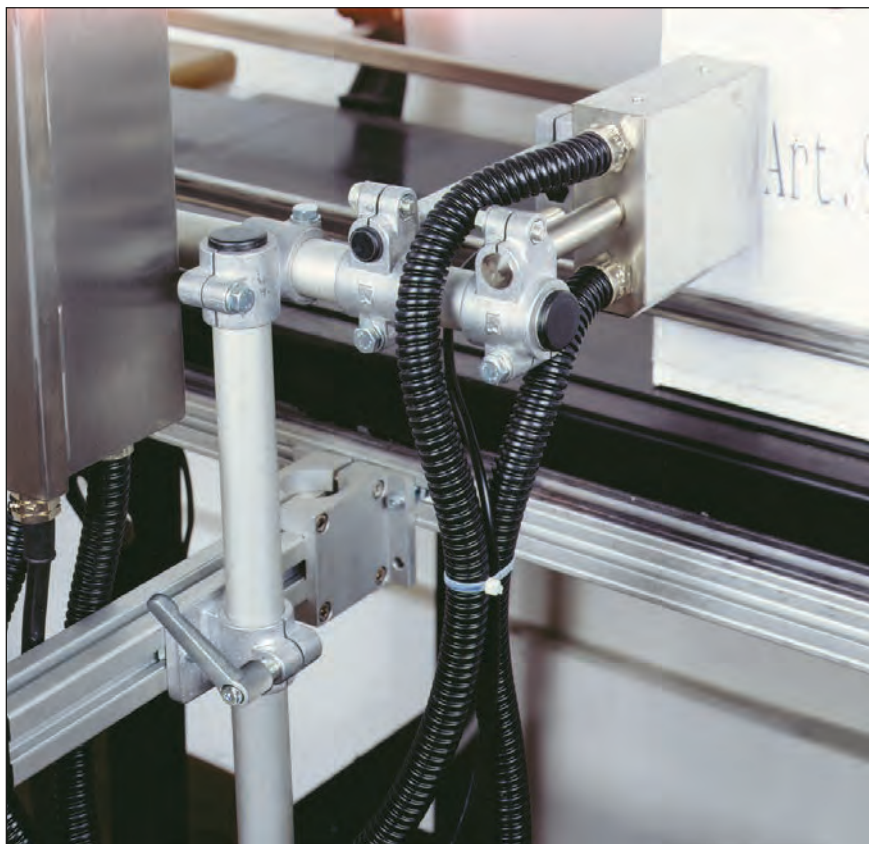
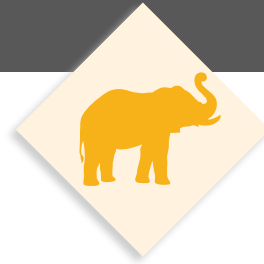
RK ROSE+KRIEGER



Light-, Solid- & Robust Clamps

Accessories from p. 212

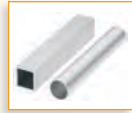
Accessories



Print head holder on a packaging machine – can be moved as required.

Accessories - table of contents

Accessories



■ Steel-, Stainless steel-, Aluminium tubes ... p. 214



■ Aluminium bars /-profiles p. 216



■ Threaded stopper p. 217



■ Tube stopper p. 218



■ Special tube fittings p. 219



■ Adjustable feet p. 220



■ Castors p. 221



■ Clamping levers / Insert nuts from p. 222

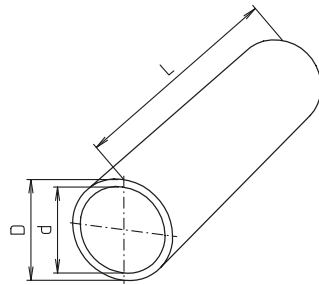


■ Adapter sleeve R28 p.

Accessories

Order instruction:

- Cut-to-length or standard lengths



Steel-, Stainless steel tubes / round

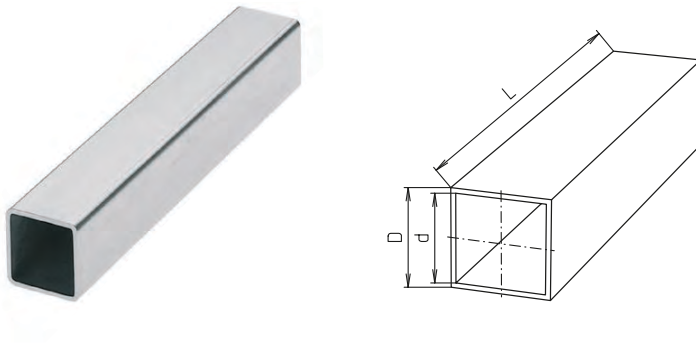
[mm]

Code No.	Type	D tol. zinc-plated	L max. zinc-plated	D tol. stainless steel	L max. stainless steel	d
801215_ _ _ _ _	12x1,5	12 ± 0,1	6000	12 ± 0,12	3000	9
801415_ _ _ _ _	14x1,5	14 ± 0,1		14 ± 0,14		11
801515_ _ _ _ _	15x1,5	15 ± 0,1		15 ± 0,15		12
801615_ _ _ _ _	16 x1,5	16 ± 0,1		16 ± 0,16		13
801815_ _ _ _ _	18x1,5	18 ± 0,1		18 ± 0,12		15
802020_ _ _ _ _	20x2	20 ± 0,1		20 ± 0,12	3000	16
802520_ _ _ _ _	25x2	25 ± 0,1		25 ± 0,25		21
803020_ _ _ _ _	30x2	30 ± 0,1		30 ± 0,10		26
803230_ _ _ _ _	32x3	32 ± 0,15		32 ± 0,15		26
803530* _ _ _ _ _	35x3	35 ± 0,15		–		–
804040_ _ _ _ _	40x4	40 + 0,15	40 + 0,12	3000	32	
804240* _ _ _ _ _	42x4	42 ± 0,2	–	–	34	
804540* _ _ _ _ _	45x4	45 ± 0,2			37	
804835* _ _ _ _ _	48x3,5	48 ± 0,2			41	
804840* _ _ _ _ _	48x4	48 ± 0,2	50 + 0,15	3000	40	
805040_ _ _ _ _	50x4	50 + 0,2			42	
805540* _ _ _ _ _	55x4	55 ± 0,25	–	–	47	
806050_ _ _ _ _	60x5	60 + 0,25	60 + 0,20	3000	50	
806250* _ _ _ _ _	62x5	62 ± 0,3	–	–	52	
808050* _ _ _ _ _	80x5	80 ± 0,35	5840	–	–	70

Length:
every length is possible
standard lengths:**
0500, 1000, 2000,
3000 und 4000 mm

Version:
0 = polished St 37-2
1 = galvanized zinc-plated St 37-2
2 = stainless steel VA 1.4301


* Not available in stainless steel
** standard lengths only for galvanized zinc-plated



Steel / square

[mm]

Code No.	Type	D tol.	L max. zinc-plated
812010_ _ _ _ _	20x1,5	20 ± 0,2	4000
812515_ _ _ _ _	25x1,5	25 ± 0,25	6000
813020_ _ _ _ _	30x2	30 ± 0,25	4000
814030_ _ _ _ _	40x3	40 ± 0,3	6000
815030_ _ _ _ _	50x3	50 ± 0,3	
816040_ _ _ _ _	60x4	60 ± 0,35	
818050_ _ _ _ _	80x5	80 ± 0,5	


Length:
 every length is possible
standard lengths
 0500, 1000, 2000, 3000 und 4000 mm


Version:
 0 = polished St 37-2
 1 = galvanized zinc-plated St 37-2

Stainless steel tubes / square

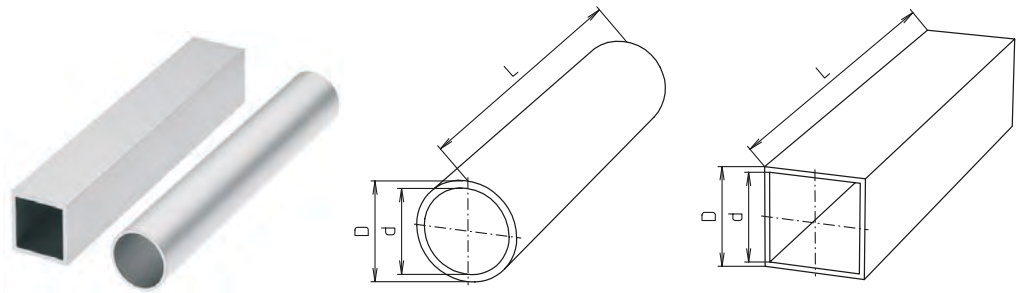
Standard tube has no tolerance limit

[mm]

Code No.	Type	D tol.	L max.
8120102_ _ _ _ _	20x1,5	-	6000
8125152_ _ _ _ _	25x1,5	-	
8130202_ _ _ _ _	30x2	-	
8140302_ _ _ _ _	40x3	-	
8150302_ _ _ _ _	50x3	-	
8160402_ _ _ _ _	60x4	-	
8180502_ _ _ _ _	80x5	-	


Length:
 every length is possible

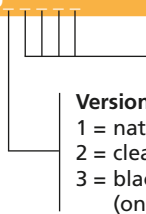
Accessories



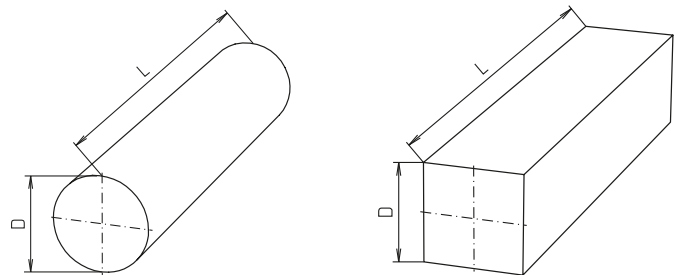
Aluminium tubes

[mm]

Code No.	Type	D tol.	d	L max.
round				
822030_ _ _ _ _	20x3	20 ± 0,1	14	6000
823020_ _ _ _ _	30x2	30 ± 0,1	26	
824030_ _ _ _ _	40x3	40 ± 0,15	34	
825030_ _ _ _ _	50x3	50 ± 0,2	44	
826030_ _ _ _ _	60x3	60 + 0,2	54	
square				
832015_ _ _ _ _	20x1,5	20 ± 0,2	17	6000
833020_ _ _ _ _	30x2	30 ± 0,2	26	
834040_ _ _ _ _	40x4	40 ± 0,3	32	
835040_ _ _ _ _	50x4	50 ± 0,4	42	
836040_ _ _ _ _	60x4	60 ± 0,4	52	


Length:
 every length is possible

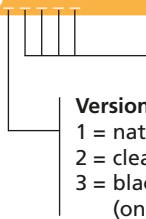
Version:
 1 = natural AlMgSi0,5
 2 = clear anodized AlMgSi0,5
 3 = black anodized AlMgSi0,5
 (on request)



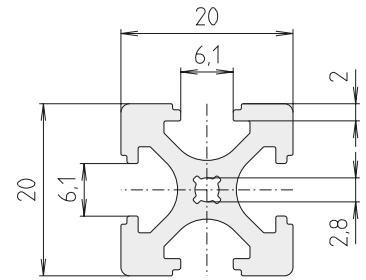
Aluminium bars

[mm]

Code No.	Type	D tol.	L max.
round			
820800_ _ _ _ _	8	8	3000
821000_ _ _ _ _	10	10	3000
square			
831000_ _ _ _ _	10	10	3000


Length:
 every length is possible

Version:
 1 = natural AlMgSi0,5
 2 = clear anodized AlMgSi0,5
 3 = black anodized AlMgSi0,5
 (on request)



Aluminium profile F-20x20

[mm]

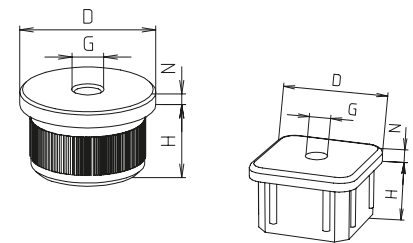
Code No.	Version	Anodized
E01000BBC	bar	natural
E01000BBA	cut	natural
E01000BCC	bar	black
E01000BCA	cut	black

max. 3000 mm



Length:

Standard lengths (clear and black anodized)
500, 1000 und 2000 mm
On request every cut is possible



Round tube threaded stopper

[mm]

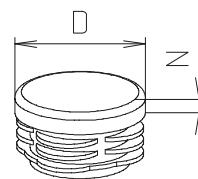
Code No.	Type	D	G	H	N
Aluminium					
90321	50x4	50	M10	25	6
90322			M16		
90323	60x5	60	M10	30	6
90324			M16		

Square tube threaded stopper

[mm]

Code No.	Type	D	G	H	N
Aluminium					
90421	50x3	50x50	M10	25	6
90422			M16		
90427	60x4	60x60	M10	25	8
90425			M16		
90426			M20		

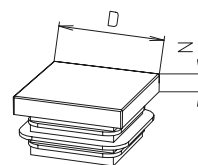
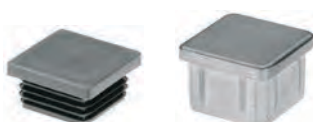
Accessories



Round tube stopper

[mm]

Code No.	Type	packaging	Ø D	N
Black polyethylene				
90301	18x1,5	1	18	5
90301C	18x1,5	10		
90302	20x2	1	20	5
90302C	20x2	10		
90303	25x2	1	25	5
90303C	25x2	10		
90304	30x2	1	30	5
90304C	30x2	10		
90305	32x3	1	30	5
90312	35x3	1	35	5
90306	40x3	1	40	5
90307	40x4	1		
90308	45x4	1	45	5
90309	48x4	1		
90310	50x3 / 50x4	1	50	5
90311	60x5	1	55	
Aluminium				
90331	50x4		55	6
90332	60x5			



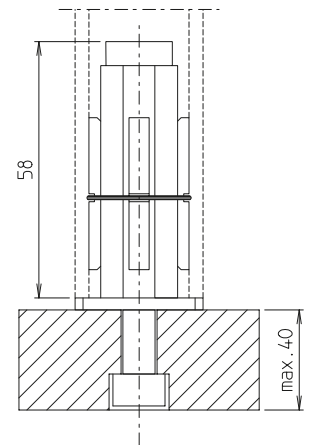
Square tube stopper

[mm]

Code No.	Type	packaging	□ D	N
Black polyethylene				
90400C	20x1	10	20x20	5
90401	25x1,5	1	25x25	
90402	30x2		30x30	
90403	35x2,5		35x35	
90404	40x3		40x40	5
90408	40x4		50x50	
90405	50x3		60x60	5
90406	60x4		80x80	
90407	80x5			
Aluminium				
90411	50x3		50x50	6

- Order instruction
Steel parts galvanized zinc-plated

- Clamping element for \varnothing and \square tubes
- Clamping capacity for \varnothing 21–40,5 mm
- Clamping capacity for \square 16,5–32 mm



Special tube fittings

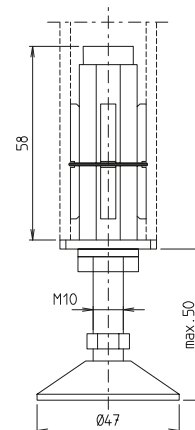
[mm]

Code No. DIN 912	Code No. DIN 7991	\varnothing Type	\square Type
90701	90711	25x2	–
90702	90712	30x2	25x1,5
90702	90712	32x3	–
90702	90712	35x3	–
90705	90715	40x4	30x2
90705	90715	42x4	–
90707	90717	48x4	35x2,5
90708	90718	–	40x3

Accessories

Order instruction:

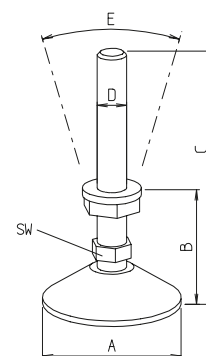
- Hinge parts PA, black
- Steel parts galvanized zinc-plated



Adjustable feet with special tube fittings

[mm]

Code No.	Ø Type	□ Type
90601	25x2	–
90602	30x2	25x1,5
90602	32x3	–
90602	35x3	–
90605	40x4	30x2
90605	42x4	–
90607	48x4	35x2,5
90608	–	40x3



Adjustable feet

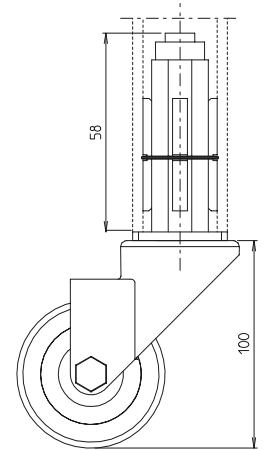
[mm]

Code No.	A	B	C	D	E	L	SW
90611	47	22	117	M10	30°	117	12
4606301	70	30	130	M16		130	22
4046301	60	39	185	M20	30°	185	16
4046311*	60	42	188			188	16
4046312*	123	70	216			216	16

* with anti-vibration pat



- Rubber wheel, width 25 mm
- Ball bearing
- polyamide rim
- blue-grey rubber tyre
- thread guard
- load capacity 600 N



Castors with special tube fittings and wheel brake

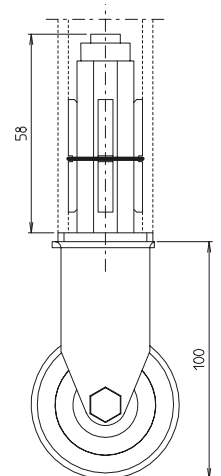
[mm]

Code No.	Ø Type	□ Type
90501	25x2	-
90502	30x2	25x1,5
90502	32x3	-
90502	35x3	-
90505	40x4	30x2
90505	42x4	-
90507	48x4	35x2,5
90508	-	40x3

Other versions up on request



- Rubber wheel, width 25 mm
- Ball bearing
- polyamide rim
- blue-grey rubber tyre
- thread guard
- load capacity 600 N



[mm]

Fixed wheels with special tube fittings

Code No.	Ø Type	□ Type
90801	25x2	-
90802	30x2	25x1,5
90802	32x3	-
90802	35x3	-
90805	40x4	30x2
90805	42x4	-
90807	48x4	35x2,5
90808	-	40x

Accessories



■ Instructions:

Regarding its dimensions and adjustability the lever is perfectly adapted to the RK clamp system.

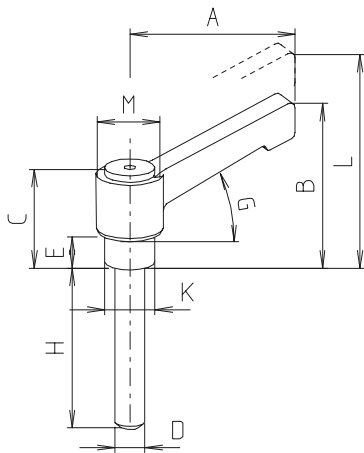
The handle must be lifted high enough to disengage allowing "confined space" tightening or loosening as desired. It relocks by means of spring pressure.

■ Materials:

Handle made of zinc pressure casting according to DIN 1743, steel parts quality class 5.8, galvanized.

Clamping lever

[mm]



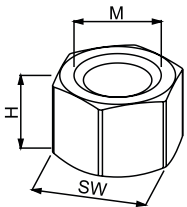
Code No.	Type	A	B	C	D	E	G	H	K	L	M	m [g]
90201	HV 5x20	40	33,5	25,5	M5	5,5	20°	20	7,5	37,5	13,5	32
90211	HV 6x10	40	33,5	26,5	M6	6,5	20°	10	10	37,5	13,5	30
90249	HV 6x20							20				-
90210	HV 6x16	40	33,5	26,5	M6	6,5	20°	16	10	37,5	13,5	-
90209	HV 6x18							18				-
90212	HV 6x25	40	33,5	26,5	M6	6,5	20°	25	10	37,5	13,5	34
90247	HV 6x30							30				-
90213	HV 6x35	40	33,5	26,5	M6	6,5	20°	35	10	37,5	13,5	38
90214	HV 6x40							40				40
90215	HV 6x45							45				65
90216	HV 6x55	65	43,2	29,2	M6	6,5	20°	55	10	47	18	75
90217	HV 6x60							60				80
90221	HV 8x15	65	45	31	M8	8,5	20°	15	13	49	18	68
90222	HV 8x25							25				72
90223	HV 8x30	65	45	31	M8	8,5	20°	30	13	49	18	75
90224	HV 8x35							35				80
90225	HV 8x45	65	45	31	M8	8,5	20°	45	13	49	18	86
90226	HV 8x50							50				91
90227	HV 8x55	80	53,5	36	M8	8,5	20°	55	13	57,5	22	100
90228	HV 8x60	65	45	31				60		49	18	
90229	HV 8x70							70				120
90230	HV 8x80	80	53,5	36	M8	8,5	20°	80	13	57,5	22	130
90231	HV 8x90							90				140
90241	HV 10x20	80	55	37,5	M10	10	20°	20	16	59	26	125
90250	HV 10x30					11		30				-
90251	HV 10x35	80	55	37,5	M10	11	20°	35	16	59	26	-
90242	HV 10x45					10		45				140
90243	HV 10x50	80	55	37,5	M10	10	20°	50	16	59	26	145
90244	HV 10x60	95	64	42,5	M10	10	20°	60	16	68	26	200
90246	HV 10x110							110				250
90255	HV 12x40							40				-
90253	HV 12x45	95	64	42,5	M12	13,5	20°	45	18	68	26	-
90256	HV 12x80							80				-
90271	HV 16x72	100	72	65	M16	19	20°	65	23	72	33	-

Upon request:

- Hand levers with plastic handles
- Hand levers with stainless steel threaded fitting



- Steel thread insert (exchange piece)
- Delivery : packaging unit (10 pcs.)



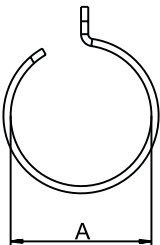
Insert nut

[mm]

Code No.	Materials	Type	H	M	SW
90762	steel	M6SW8	5	6	8
90763	stainless steel	M6SW8			
90764	steel	M6SW10	9	6	10
90765	steel	M8SW11H12	12	8	11
90766	steel	M8SW11H7	7	8	11
90767	stainless steel	M8SW11H7			
90768	steel	M10SW14	10	10	14
90769	stainless steel	M10SW14			



- simple assembly
- axial and rotation locking
- retrofit at existing systems and structures possible



Adapter sleeve R28

[mm]

Code No.	Type	Ø A
91313	Typ 1	28,4 - 28,8
91314	Typ 2	28,0 - 28,3
91315	Typ 3	27,5 - 27,9

Following Solid Clamps / Industrial-Design can be combined with adapter sleeves.

Solid Clamps	Type
Cross clamps	K 30, 30x25, 30x20, KD 30x18, 30x16, 30x15, 30x14, 30x12, KR 30, KVR 30
Angle clamps	W30, WE 30
Base clamps	FS 30
Flange clamps	FK 30, 30-4
Sleeve clamps	M 30, MD 30x25
Insert clamps	S 30