

# WS 170 R



## short description

Ventilation unit with very effective heat recovery through cross counterflow exchanger, EC motors with constant volumetric flow regulation, supply and exhaust air on the right, 4 x DN 125, including RLS 1 WR operator unit, DIBT approval, 40 - 160 m<sup>3</sup>/h, 23 - 46 m<sup>3</sup>/h in interval mode, KNX connection possible, right-hand version

Article number 0095.0081

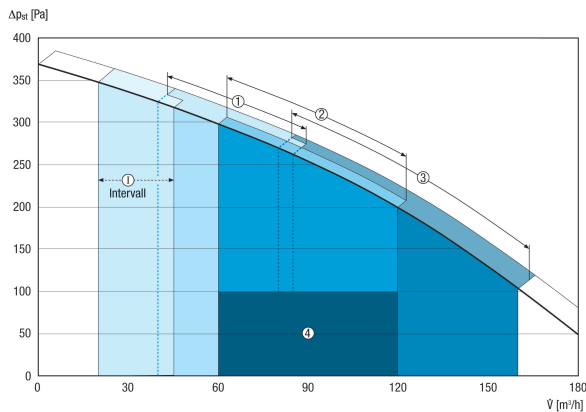
## Technical Data

Model	Standard version - right-hand
Number of ventilation levels	4
Air flow volume	40 - 160 m <sup>3</sup> /h
Volumetric flow constant	Yes
Type of voltage	Alternating current
Rated voltage	230 V
Frequency	50 Hz / 60 Hz
Power consumption	21 - 80 W / At 100 Pa counter pressure
I <sub>max</sub>	0.5 A
Degree of protection (IP)	00
PH certification	No
Installation site	Bathroom, Kitchen, Cellar, Storage tank, Jamb wall, Utility room, Heating room, Hall
Housing material	Sheet steel, powder coated
Heat exchanger material	Synthetic material
Inner coating material	Plastic EPP
Colour	white aluminium
Weight	38 kg
Filter class	G4, G4
Connection diameter	125 mm
Connection diameter of condensation drain	3/4" hose connection or drain pipe with a diameter of 28 mm
Width x height x depth	595 x 820 x 375 mm
Airstream temperature at I <sub>Max</sub>	-15 up to 60 °C
Ambient temperature:	10 up to 40 °C
Degree of heat provision	94 %
Heat exchanger construction type	Cross-counterflow
Bypass, integrated	No
Antifreeze circuit	Yes
Humidity control	HY 5, HY 5 I, HY 10 AP, HY 10 UP
CO <sub>2</sub> control	SKD

# WS 170 R

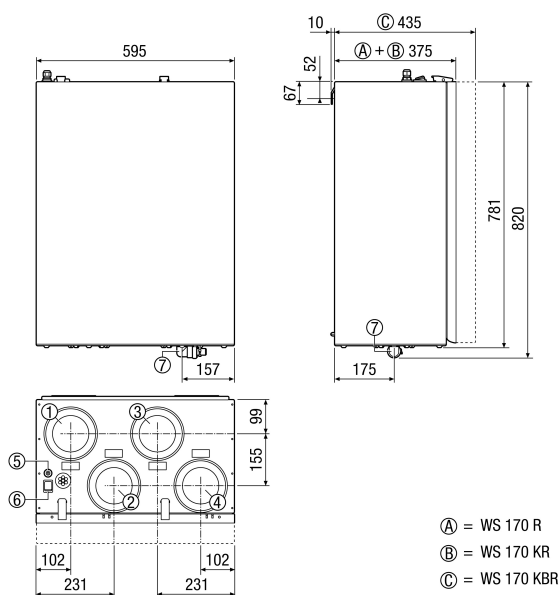
Air quality control	EAQ 10/2
KNX connection possible	Yes
Control unit included in scope of delivery.	RLS 1 WR
Control unit optional	RLS D1 WR
Sound pressure level	42 dB(A)/45 dB(A)/47 dB(A)/Spacing 1m, sound absorption 10 m <sup>2</sup>
Range	K
EAN	4012799950813

## Characteristic curve



- I - Interval / vacation operation for humidity protection
- 1 - Reduced ventilation
- 2 - Nominal ventilation
- 3 - Intensive / Party operation
- 4 - Recommended configuration range

## Dimensions [mm]



- ① DN 125 outgoing air
- ② DN 125 outside air
- ③ DN 125 exhaust air
- ④ DN 125 supply air
- ⑤ Cable screw-connection
- ⑥ Main switch
- ⑦ Condensation connection

- Ⓐ = WS 170 R
- Ⓑ = WS 170 KR
- Ⓒ = WS 170 KBR