



ProData[®] datalogger

Datalogger and Gateway

Smart and compact: Our most universal datalogger ever saves power costs



Ethernet connection



Modbus-Ethernet-Gateway



32 MB

32 MB memory



15 impulse inputs



Temperature input



Threshold value monitoring



Easily integrated anywhere, anytime: the ProData®. Because this datalogger provides you with all the required data, it forms the indispensable basis for your energy management system.

Especially in energy management: you need reliable figures. Without accurate measurements you cannot manage effectively.

ProData® provides you with the figures and measurements you need. Whether electricity or water – gas, steam or pressure: The ProData® datalogger captures and saves all consumption and process data as well as status messages (e.g. switch settings).

You can thus analyse your energy consumption and the operating hours – and monitor switches statuses or faults in buildings or production facilities.

With its Modbus-Ethernet-Gateway, you can connect the ProData® datalogger to Modbus slave devices (e.g. electricity meters).

The advantages at a glance

- You can flexibly integrate master systems via the Modbus-Ethernet-Gateway
- Save your data long-term in the generous 32 MB memory
- You can save 24 differential energy values and the maximum performance values – for each of the 15 on-board inputs
- Software inclusive (GridVis®-Basic) – the data can thus be directly read out and analysed
- 64 independent weekly timers can be individually programmed
- Tariff conversion: You can assign a tariff selection from 1 to 8 to each digital input

Your universal datalogger for all consumption data

Impressive features

- 15 digital / impulse inputs
- 3 digital outputs, connectable via Modbus, weekly timer, boundary value and temperature monitoring
- Temperature measurement input
- Ethernet interface (Modbus TCP, NTP ...)
- RS485 (Modbus RTU, slave, up to 115 kbps)
- 32 MB flash memory
- Clock and battery function
- 64 weekly timers
- Threshold value monitoring
- Modbus-Ethernet-Gateway functionality
- Saving of minimum and maximum values (with time stamp)
- Configurable records, can be read out via RS485 and Ethernet



Capture of electrical and non-electrical variables

Water meters | Gas meters | Temperature measurement | Status messages | Alarms

Applications

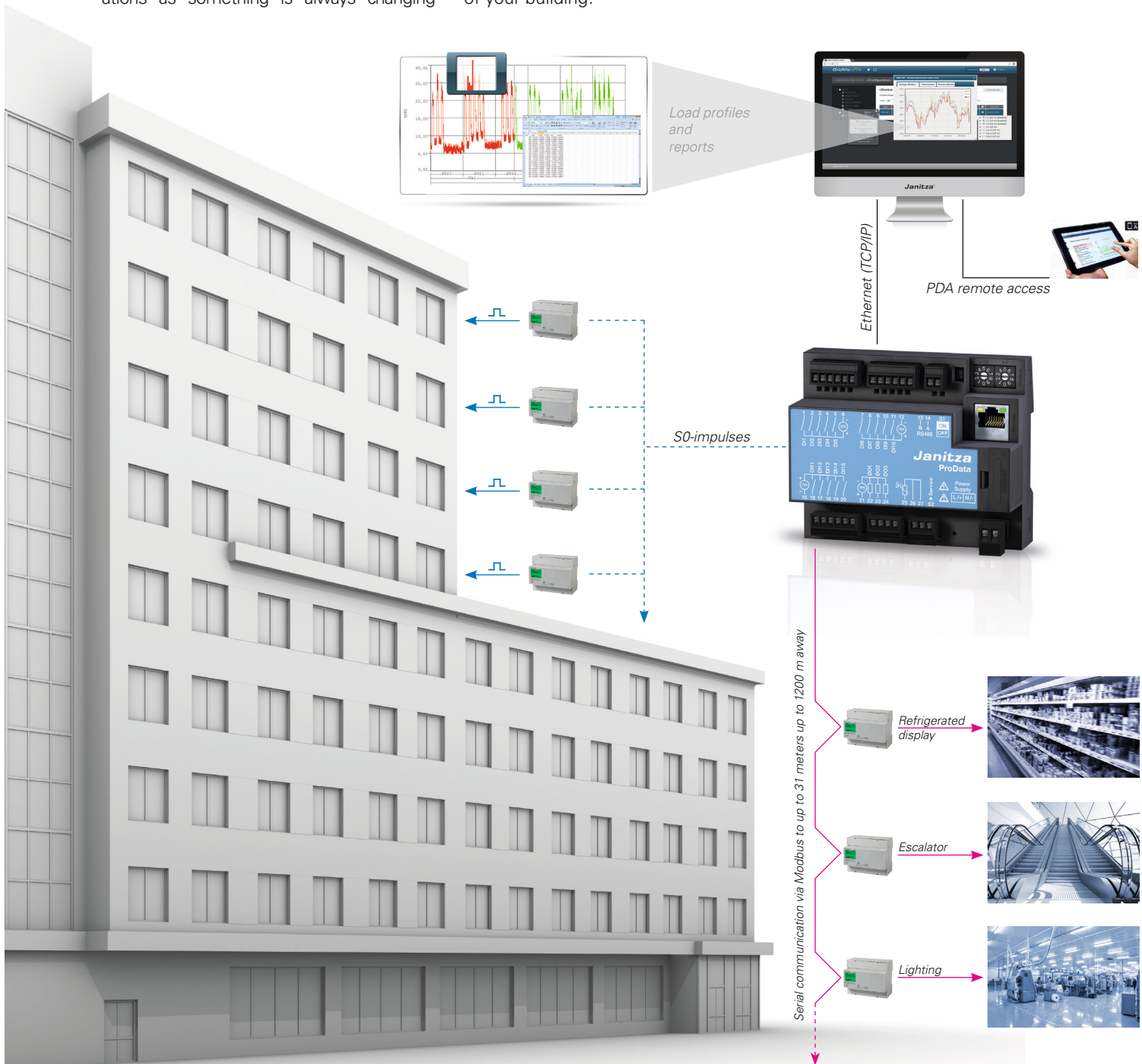
- ISO 50001 EnMS
- Integrate impulse meters (in range)
- Capture non-electrical values
- Generate performance indicators
- Capture status messages
- Generate alarms
- Ethernet-Modbus slave gateway

An example of a typical application: intelligent energy management in buildings

You can save between 5 and 30 % of a building's energy consumption via energy efficiency measures. Optimise the heating characteristic, for example, or switch off the ventilation when it is not needed. Practical experience shows, however, that buildings must be monitored during operations as something is always changing

– e.g. with new usage, variable usage patterns or ageing of the building technical systems.

With ProData® you notice and manage these changes – and thus support your monitoring system with which you permanently oversee the efficiency of your building.



Ethernet with gateway functionality

Simply and cost efficiently integrated various consumption meters!



The Ethernet connection and communication via Modbus / RS485 guarantee:

- Simple integration in the network
- Rapid and reliable data transfer
- Access to measurement data via various channels

GridVis® EnMS system software

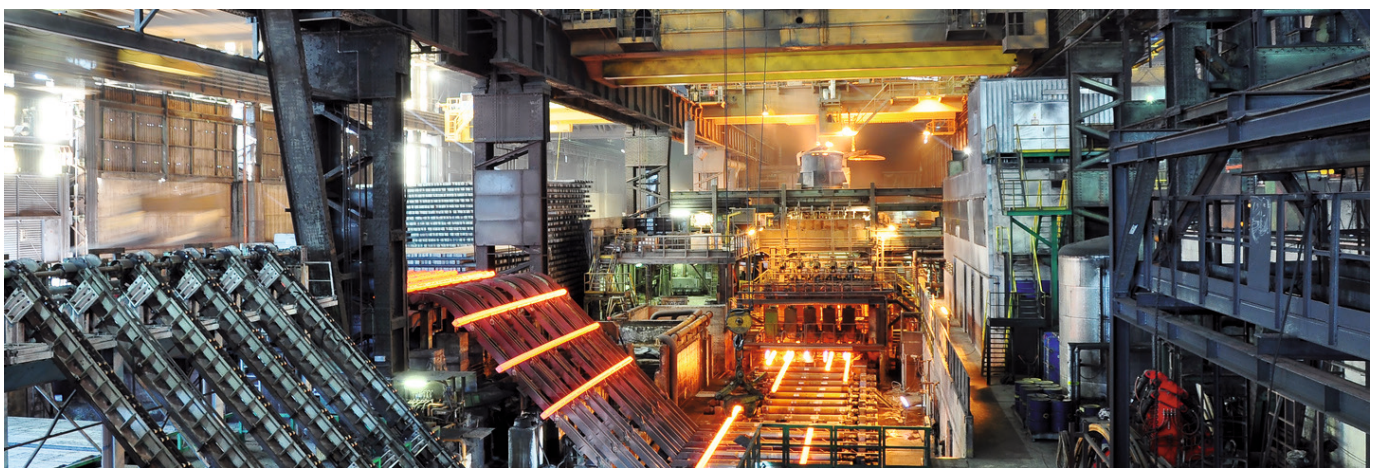
Our powerful, scalable software solution

See your energy: Our GridVis® software acts as an user-friendly energy-monitoring system – and also watches over status measures. Even with the basic version GridVis®-Basic (included in the scope of delivery) you can:

1. Program and configure
2. Read out, save, display, process, analyse and evaluate measurement data

GridVis® provides technicians and managers the required data to identify

- potential energy savings
- reduce energy costs
- calculate performance indicators
- monitor status messages



Simply integrate your existing meters

You know the situation: Your existing consumption data meters only have impulse outputs or Modbus interfaces. This makes configuring an energy management system into a time-consuming and expensive torture. How can you integrate the old meters into a state-of-the-art measuring system?



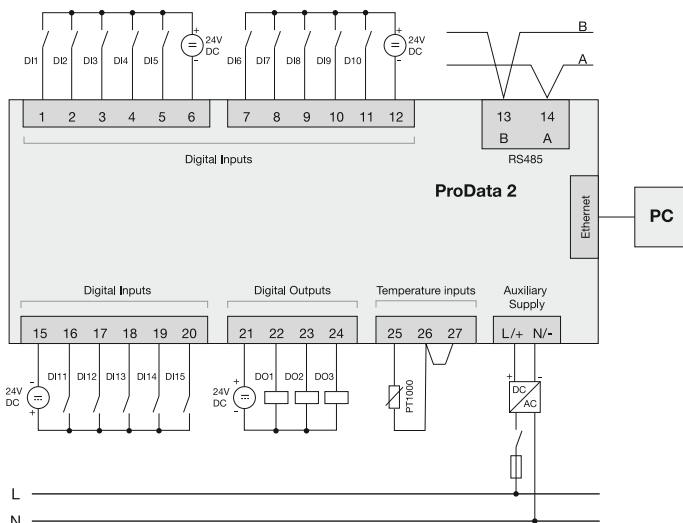
ProData® makes the whole process significantly easier! Now you can have it all! Conveniently capture measurements from a meter with an SO impulse output. And you also save the costs of purchasing new meters.

Well conceived down to the smallest (yet important) detail

The internal ProData® clock generates precise data and time information for records and events. Even if the external supply goes down, the clock keeps running on its integrated backup battery. The battery is not permanently integrated; you can easily swap it out.



Example of how ProData® can be connected:



The ProData® is the practical person's favourite:

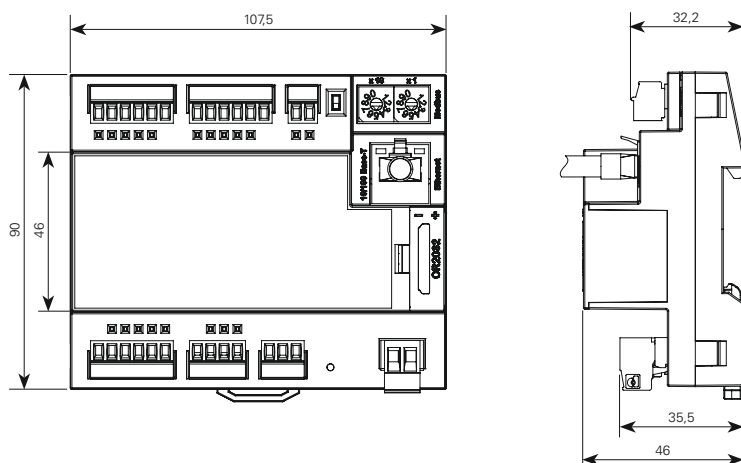
- Wide range power adapter (20 - 250 VAC, 20 - 300 VDC)
- Auto-Baud identification of the communication interface
- Screwable plug-in terminals
- Modbus address easily externally resettable
- Rapid top hat rail fixing

Technical data

General information	
Article number Dimensions (W x H x D) Net weight (with attached plug-in connectors) Battery	52.24.001 107,5 x 90 x 46 mm approx. 200 g Type Lithium CR2032, 3 V (approved i.a.w. UL 1642)
Supply voltage	
Installation overvoltage capacity Protection of the supply voltage (fusing): Rated range Power draw	300 V CAT II 6 A, char. C (approved i.a.w. UL/IEC) 20 V – 250 V (45 ... 65 Hz) or DC 20 V – 300 V max. 4 VA
Digital inputs, DIN EN 62053-31:1998, 15 digital inputs, semiconductor relay, not short-circuit resistant.	
Operating voltage Input signal present Input signal not present Impulse input (S0*), max. count frequency Impulse input	20 V – 30 V DC (SELV or PELV supply) 18 V ... 28 V DC (typical 4 mA) 0 ... 5 V DC, current less than 0.5 A 20 Hz as per DIN EN 62053-31:1998 (IEC 62053-31:1998 class B)
Temperature measurement input (2 or 3 wire measurement).	
Connectable sensors	PT100, PT1000, KTY83, KTY84
Digital outputs, DIN EN 62053-31:1998, 3 digital outputs, semiconductor relay, not short-circuit resistant.	
Operating voltage Switching voltage Switching current Impulse output (energy impulses) Impulse output	20 V – 30 V DC (SELV or PELV supply) max. 60 V DC max. 50 mAeff DC max. 20 Hz as per DIN EN 62053-31:1998 (IEC 62053-31:1998 class B)
Serial interface	
RS485 – Modbus RTU/slave	9.6 kbps; 19.2 kbps; 38.4 kbps; 57.6 kbps; 115.2 kbps
Ethernet connection	
Connection Functions Protocols	RJ45 Modbus gateway TCP/IP, DHCP client (BootP), Modbus/TCP (Port 502), ICMP (Ping), NTP
Clock	
Precision	+/- 5 ppm in temperature range -40 °C to 70 °C (corresponding to approx. 3 minutes p.a.)
Accessories	
ProData® S0 module with 1,3 kΩ resistors	Article number: 52.24.111

* External resistor required

Small size, big technology



The applications of the ProData® are virtually limitless – thanks to

- highly compact dimensions
- many practical features
- extreme user-friendliness

Janitza electronics GmbH
Vor dem Polstück 1
D-35633 Lahnau
Germany

Tel.: +49 6441 9642-0
Fax: +49 6441 9642-30
info@janitza.com
www.janitza.com

Sales partner

Article no.: 33.03.648 • Doc no.: 2.500.054.0 • Version 03/2014 • Subject to technical alterations.