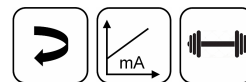


**NOVOHALL  
Rotary Sensor  
Touchless**

**RFX-6900**  
Heavy Duty  
4 ... 20 mA

**Mobile Applications**



**Special Features**

- Very robust design for extreme environments
- Touchless hall technology
- Electrical range up to 360°, in one and multi-channel version
- 2 part design, mechanically decoupled
- Enhanced corrosion protection due to anodized aluminum housing, salt spray resistant
- Excellent linearity
- High Resolution to 12 bits
- Absolutely impermeable to splash-water IP69K
- High temperature resistance
- Suitable for use in safety-related applications according to ISO 13849
- For highest EMC requirements such as ISO pulses and interference fields according to ISO 11452 and ECE directive

**Applications**

- Position measurement in steering systems
- Pivotal vehicle bracings
- Transport systems with several steered axes
- Construction and agricultural machinery

The angle sensor RFX-6900 is designed for use in mobile applications under extreme environmental conditions. The sensor is suitable for a continuously ambitious operating.

The two-part design consisting of sensor and magnetic position marker offers great flexibility when mounting. The absence of shaft and bearing makes the assembly much less sensitive to axial and radial application tolerances - separate couplings are obsolete. Measurements can be made transmissively through any non-ferromagnetic material. The sensor is perfectly suitable for use in harsh environmental conditions through the completely encapsulated electronics.

The high accuracy and reliability of the magnetic angle measurement are further features, particularly in safety-related applications.

**Description**

Material	Housing: aluminium AlMgSi1, anodized, salt spray resistant
Mounting	With 3 screws M4, screw-in depth 7 mm min.
Fastening torque of mounting	250 ± 50 Ncm
Electrical connection	Connector M12x1, A-coded / Cable with cable screw connection, 4x 0.5 mm <sup>2</sup> (AWG 20), TPE, unshielded

**Mechanical Data**

Dimensions	See dimension drawing
Mechanical travel	continuous
Weight (w/o connection)	approx. 200 g

## Ordering Specifications

### Ordering Specifications

Preferred types printed in bold

- Delivery time up to 25 pcs. within 10 working days EXW
- Best low-volume pricing

#### Supply voltage Ub

3: Ub = 12/24 VDC

#### Output signal

2: 4 ... 20 mA

Other output signals on request

#### Output characteristic

1: Rising characteristic cw

2: Rising characteristic ccw

3: Crossed outputs, channel 1 rising cw (partly redundant)

4: Crossed outputs, channel 1 rising cw (fully redundant)

Other output characteristics on request

#### Electrical connection

One-channel / partly redundant version: 1 output

252: 1x cable 4-pole, 2 m, unshielded

551: 1x connector M12, 4-pin, unshielded

Fully redundant version: 2 outputs

352: 2x cable 4-pole, 2 m, unshielded

651: 2x connector M12, 4-pin, unshielded

Cable versions and assembled connectors on request

**R F X - 6 9 0 1 - 8 3 6 - 3 2 4 - 6 5 1**

Series

Model / size

6901: 69 x 20.4 mm

#### Measuring range

06: Angle 60°

12: Angle 120°

18: Angle 180°

24: Angle 240°

30: Angle 300°

36: Angle 360°

Other angles on request

#### Number of channels

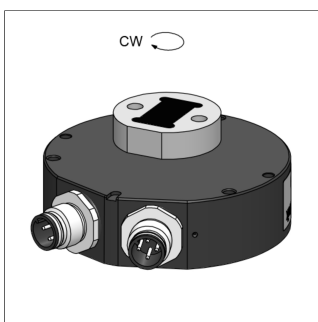
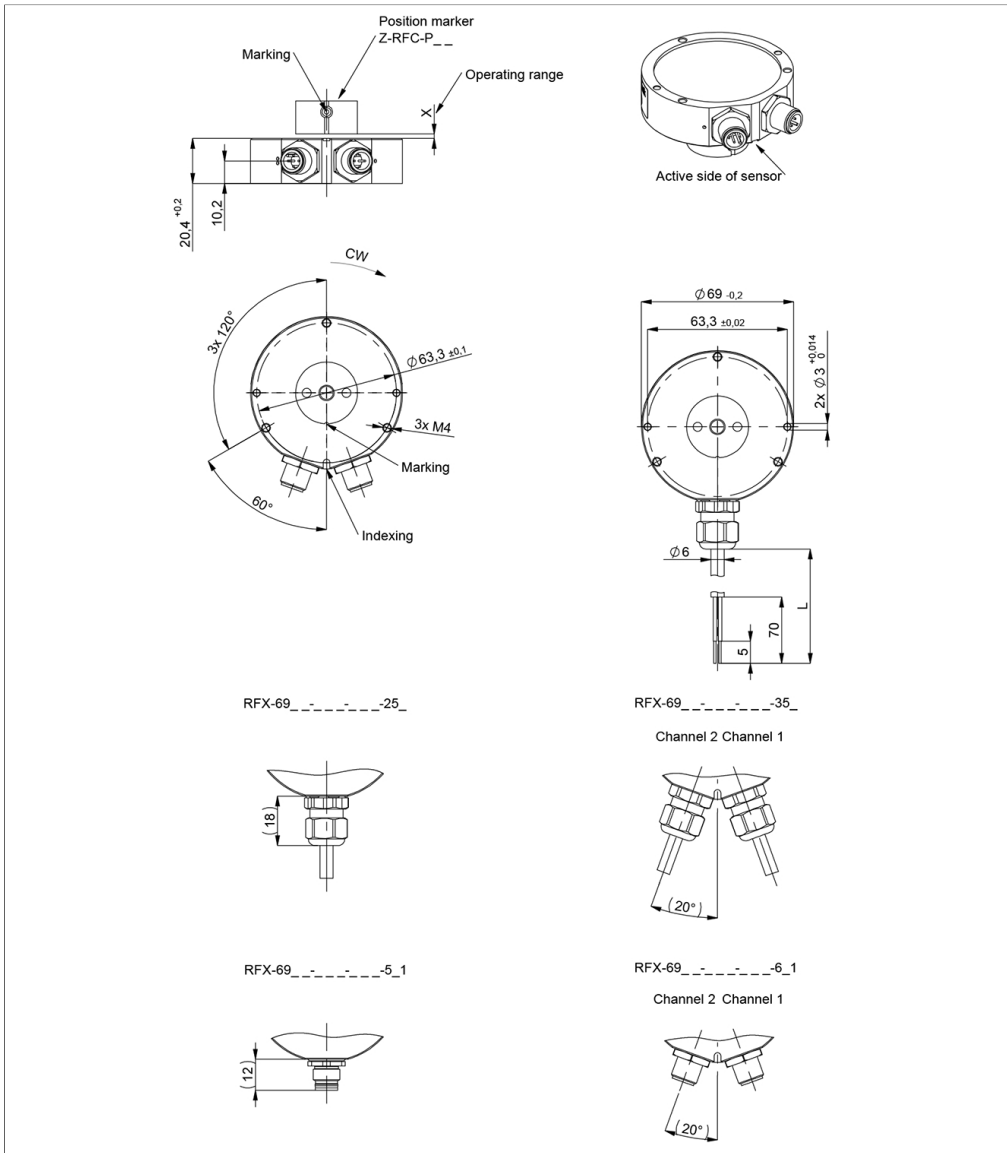
6: One-channel version (1x supply voltage Ub, 1x output)

7: Partly redundant version (1x supply voltage Ub, 2x output)

8: Fully redundant version (2x supply voltage Ub, 2x output)

**Drawing**

CAD data see  
[www.novotechnik.de/en/download/cad-data/](http://www.novotechnik.de/en/download/cad-data/)



When the marking of the position marker is pointing towards the electrical outlet or to the indexing, the sensor output is near the electrical center position (index position).

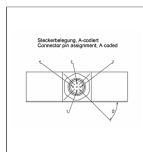
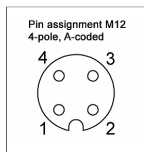
## Technical Data

Type	RFX-69 _ _ - _ - _ - 32 _ - _ - _ - Analog current
Output signal	4 ... 20 mA
Burden	≤ 250 Ω (higher on request)
Number of channels	1 / 2
Update rate	5 kHz
Measuring range	60°, 120°, 180°, 240°, 300°, 360°
Independent linearity	≤ ±0.5 %FS
Interlinearity	Measuring range < 90°: ±4 %FS, Measuring range ≥ 90°: ±2 %FS
Resolution	12 bits
Repeatability	≤ ±0.2°
Hysteresis	typ. < ±0.1° Only measuring range 360°: typ. < 0.25° (lower hysteresis on request)
Temperature error	Measuring range < 90°: 200 ppm/K, Measuring range ≥ 90°: 160 ppm/K
Supply voltage Ub	12/24 VDC (9 ... 34 VDC)
Current consumption w/o load	typ. 20 mA per channel (Ub = 24 V)
Polarity protection	yes (supply lines)
Short circuit protection	yes (all outputs vs. GND and supply voltage)
Insulation resistance (500 VDC)	≥ 10 MΩ
<b>Environmental Data</b>	
Max. operational speed	Mechanically unlimited
Vibration IEC 60068-2-6	20 g, 5 ... 2000 Hz, Amax = 0.75 mm
Shock IEC 60068-2-27	50 g, 6 ms
Protection class DIN EN 60529	IP67 / IP69K (connector M12: IP67)
Operating temperature	-40 ... +85°C
Functional safety	Suitable for safety-related applications according to ISO 13849 after customer validation. Further safety data ( DCavg...) and support for functional safety are available on request.
MTTF (IEC 60050)	461 years (per channel)
MTTFd (EN ISO 13849-1 parts count method, w/o load)	923 years (per channel)
MTTFd-certificate	<a href="https://www.novotechnik.de/en/downloads/certificates/mttf-certificates/">https://www.novotechnik.de/en/downloads/certificates/mttf-certificates/</a>
Traceability	Serial number on type labeling: production batch of the sensor assembly and relevant sensor components
Conformity/Approval	CE, UKCA, E1 see <a href="https://www.novotechnik.de/en/downloads/certificates/declarations-of-conformity-eu/uk">https://www.novotechnik.de/en/downloads/certificates/declarations-of-conformity-eu/uk</a> WEEE see <a href="https://www.novotechnik.de/en/downloads/certificates/eu-directive-weee/">https://www.novotechnik.de/en/downloads/certificates/eu-directive-weee/</a>
<b>EMC Compatibility</b>	
ISO 10605 ESD (Handling/Component)	8 kV / 15 kV
ISO 11452-2 Radiated HF-fields	100 V/m
ISO 11452-5 Radiated HF-Fields, stripline	200 V/m
CISPR 25 Radiated emission	Level 5
ISO 7637-2 Pulses on supply lines	(1, 2a, 2b, 3a, 3b, 4, 5) Level 4
ISO 7637-3 Pulses on output lines	Level 4
Emission/Immunity E1	acc. to ECE-R10

FS = Full scale: Signal span according to electrical measuring range

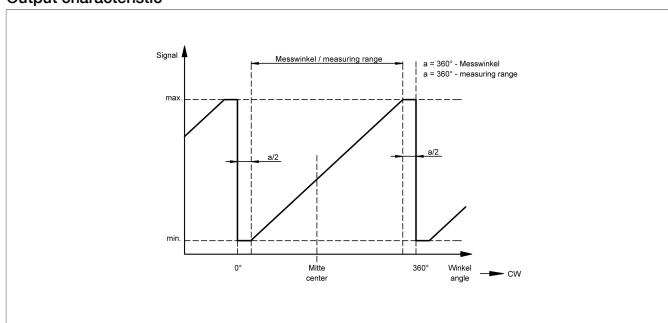
**Connection Assignment**

Signal	Connector code 5__	Cable code 2__	Connector code 5__	Cable code 2__	2x Connector code 6__	2x Cable code 3__
	One-channel	One-channel	Partly redundant	Partly redundant	Fully redundant	Fully redundant
Supply voltage Ub 1	Pin 1	GN	Pin 1	GN	Channel 1 / Pin 1	Channel 1 / GN
GND 1	Pin 3	BN	Pin 3	BN	Channel 1 / Pin 3	Channel 1 / BN
Signal output 1	Pin 2	WH	Pin 2	WH	Channel 1 / Pin 2	Channel 1 / WH
Signal output 2	-	-	Pin 4	YE	Channel 2 / Pin 4	Channel 2 / YE
Supply voltage Ub 2	-	-	-	-	Channel 2 / Pin 1	Channel 2 / GN
GND 2	-	-	-	-	Channel 2 / Pin 3	Channel 2 / BN
Not assigned	Pin 4	YE	-	-	Channel 1 / Pin 4	Channel 1 / YE
					Channel 2 / Pin 2	Channel 2 / WH

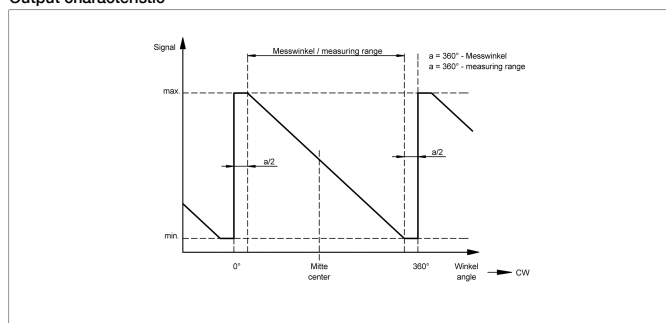


## Technical Data Output Characteristics

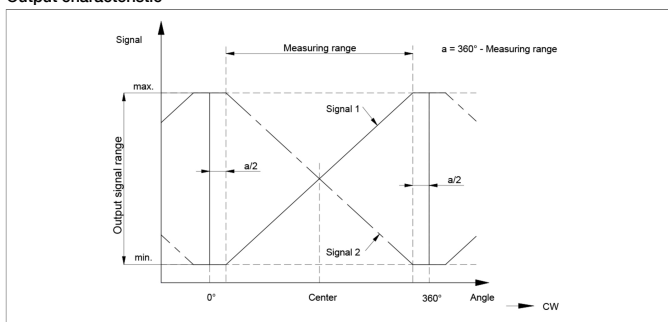
Output characteristic



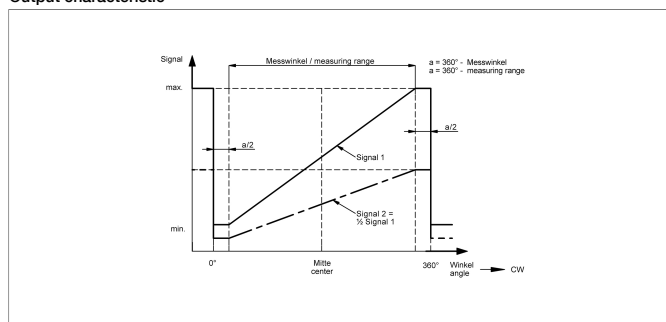
Output characteristic



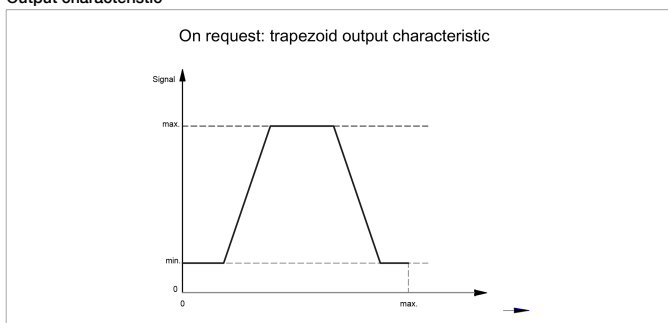
Output characteristic



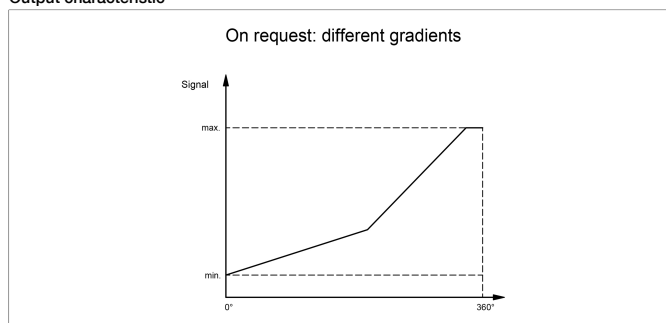
Output characteristic



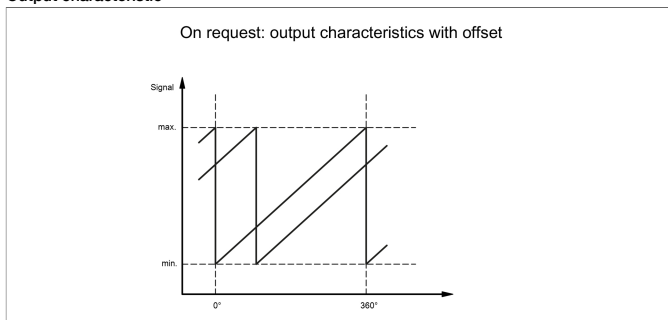
Output characteristic



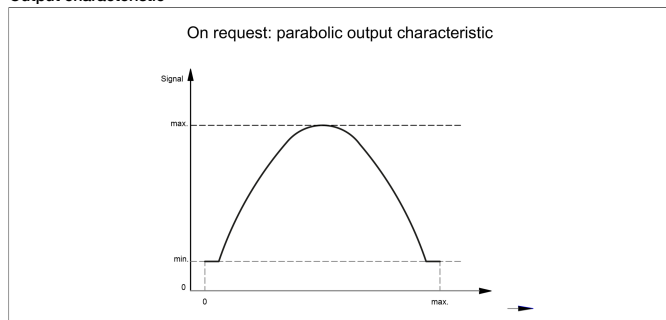
Output characteristic



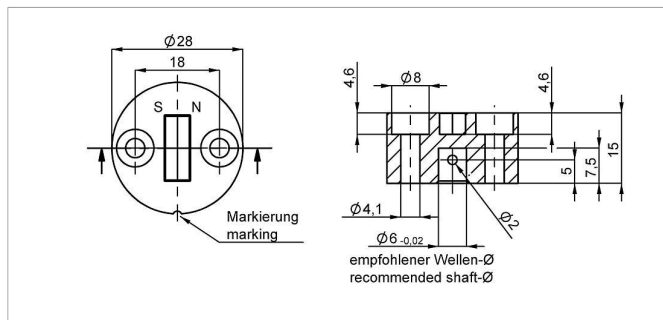
Output characteristic



Output characteristic



## Position Markers

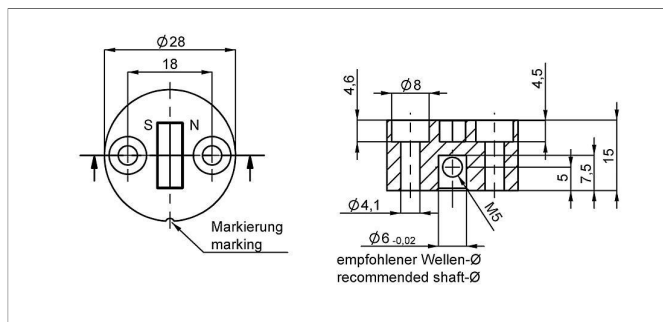


### Z-RFC-P02

Position marker for frontal fixation with 2 cylinder head screws M4x20 (with screw lock) or with locking pin (both included in delivery).

Material PF  
Max. permitted  $\pm 3$  mm  
radial offset  
Operating temp.  $-40 \dots +125^{\circ}\text{C}$

P/N	Pack. unit [pcs]
40005661	1
400056080	25

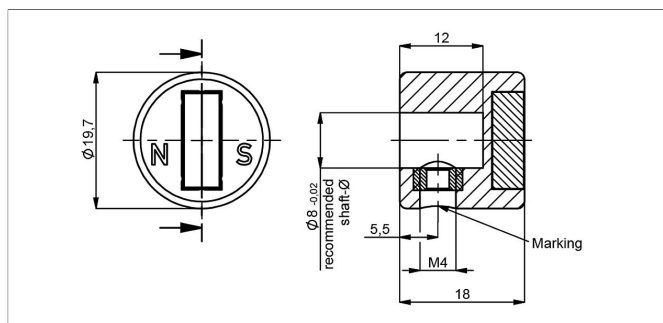


### Z-RFC-P08

Position marker for fixation with threaded pin M5 (included in delivery).

Material PF  
Max. permitted  $\pm 3$  mm  
radial offset  
Operating temp.  $-40 \dots +125^{\circ}\text{C}$

P/N	Pack. unit [pcs]
400056070	1
400056084	25



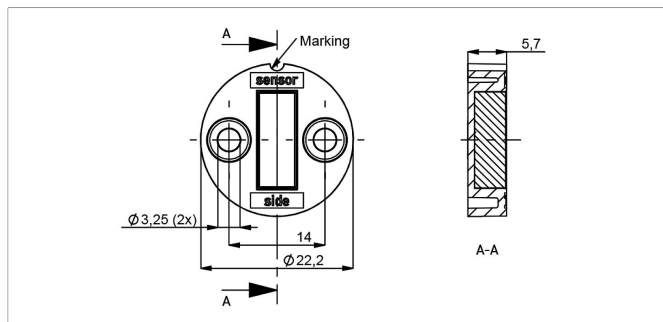
### Z-RFC-P23

Position marker for fixation with threaded pin M4 (included in delivery)

Caution: For orientation of the output characteristic please follow the user manual of the position marker!

Material PA6-GF  
Max. permitted  $\pm 3$  mm  
radial offset  
Operating temp.  $-40 \dots +125^{\circ}\text{C}$

P/N	Pack. unit [pcs]
400056074	1
400056085	25



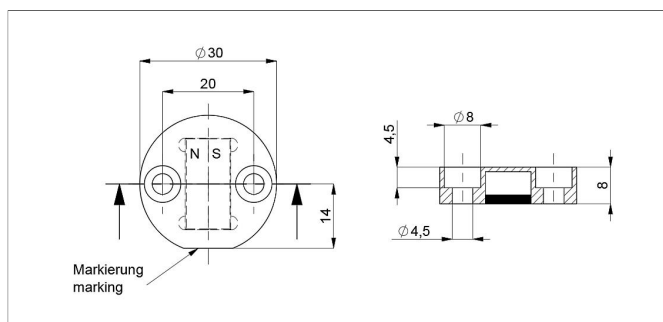
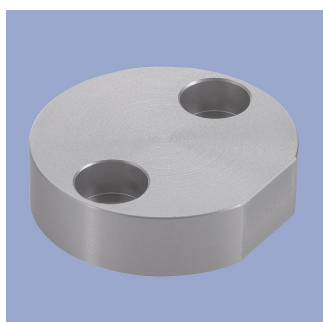
### Z-RFC-P31

Position marker for frontal fixation with 2 cylinder screws M3x8 (included in delivery).

Material PBT-GF  
Max. permitted  $\pm 3$  mm  
radial offset  
Operating temp.  $-40 \dots +125^{\circ}\text{C}$

P/N	Pack. unit [pcs]
400056088	1
400056089	25

## Position Markers



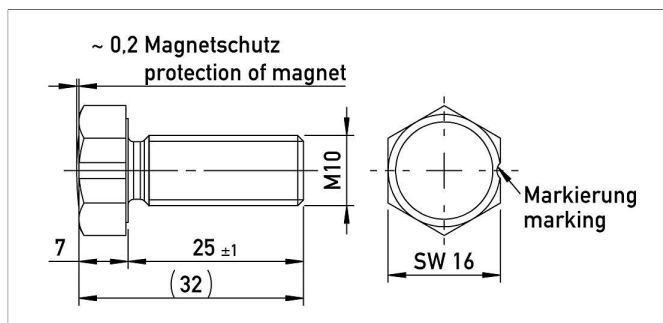
### Z-RFC-P22

Position marker for frontal fixation with 2 cylinder head screws M4x20 (with screw lock, included in delivery).

Attention: Closed side of position marker faces the active side of sensor.

Material Aluminium, anodized  
Max. permitted radial offset  $\pm 4$  mm  
Operating temp.  $-40 \dots +125^\circ\text{C}$

P/N	Pack. unit [pcs]
400106735	1
400106736	25

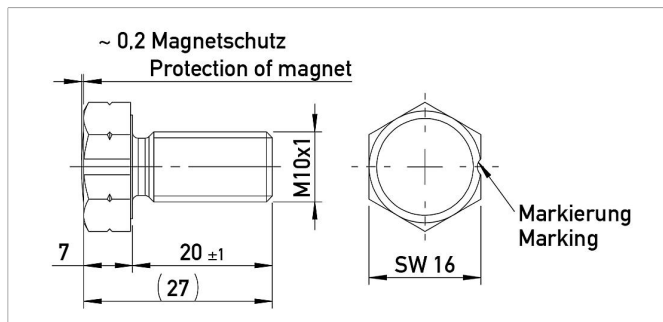


### Z-RFC-P18

Screw position marker M10 x 25 mm, similar DIN 933, magnet potted

Material Aluminium, anodized  
Max. permitted radial offset  $\pm 3$  mm  
Operating temp.  $-40 \dots +125^\circ\text{C}$

P/N	Pack. unit [pcs]
400104756	1
400104757	25

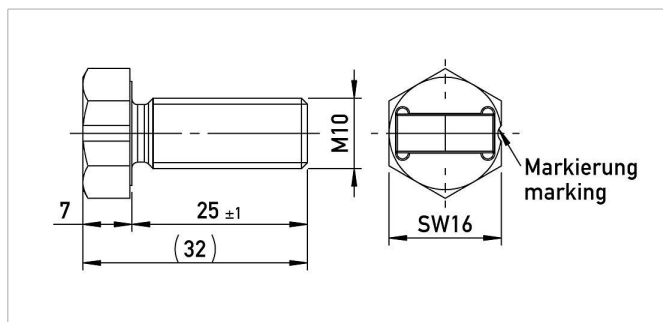


### Z-RFC-P28

Screw position marker M10x1 x 20 mm, similar DIN 933, magnet potted

Material Aluminium, anodized  
Max. permitted radial offset  $\pm 3$  mm  
Operating temp.  $-40 \dots +125^\circ\text{C}$

P/N	Pack. unit [pcs]
400108462	1
400108463	25



### Z-RFC-P20

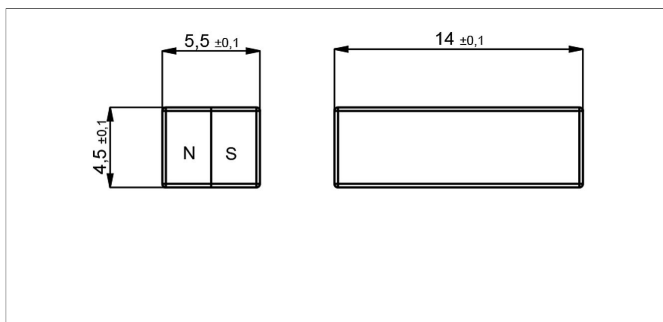
Screw position marker M10 x 25 mm, similar DIN 933

Material Aluminium, anodized  
Max. permitted radial offset  $\pm 3$  mm  
Operating temp.  $-40 \dots +125^\circ\text{C}$

P/N	Pack. unit [pcs]
400104758	1
400104759	25



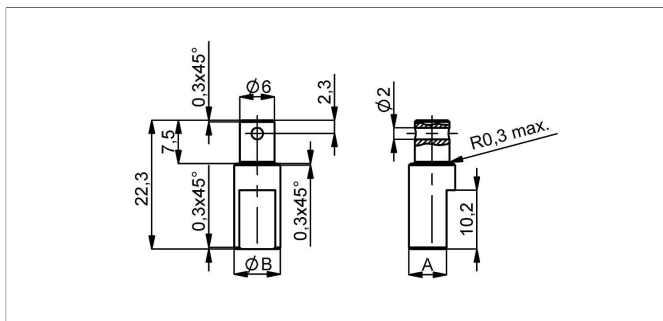
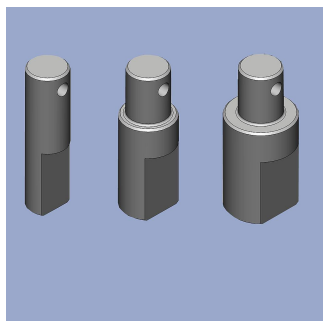
## Position Markers



### Z-RFC-P04

Magnet for direct application onto customer's shaft (see user manual).  
We recommend mounting on non-magnetizable materials, otherwise the specified working distances will vary (e.g. reduction of approx. 20% with axial mounting on a magnetizable shaft).  
Max. permitted radial offset  $\pm 3$  mm  
radial offset  
Operating temp.  $-40 \dots +125^\circ\text{C}$

P/N	Pack. unit [pcs]
40005659	1
400056082	50



### Z-RFC-S01/S02/S03

Shaft adapter for fixation at position marker Z-RFC-P02/P41 with locking pin

Material Stainless steel 1.4305

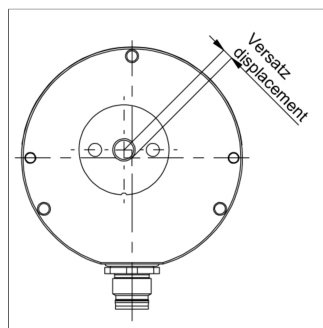
P/N	Type	ØB / A [mm]
400056206	Z-RFC-S01	6 / 4.5
400056207	Z-RFC-S02	8 / 6.5
400056208	Z-RFC-S03	10 / 8.5

## Position Markers

### Working Distances Position Markers [mm] - Redundant Versions

Z-RFC-P02 / P04 / P08 Z-RFC-P20 / P23 / P31	Z-RFC-P18 / P28	Z-RFC-P22
0.3 ... 3.5	0 ... 2.5	2.6 ... 7.3

### Lateral Magnet Offset



Lateral magnet offset will cause additional linearity error. The angle error, which is caused by radial displacement of sensor and position marker depends on the used position marker or magnet.

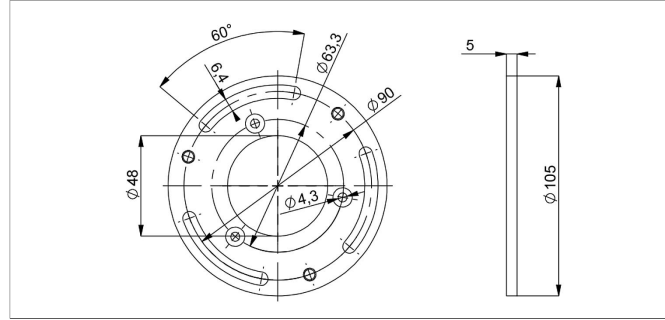
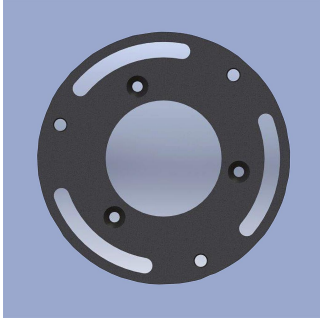
### Additional Linearity Error at Radial Displacement - One-channel Versions

Z-RFC-P02 / P04 / P08 Z-RFC-P20 / P23 / P31	Z-RFC-P18 / P28	Z-RFC-P22
0.5 mm: $\pm 0.7^\circ$	0.5 mm: $\pm 1.1^\circ$	1.0 mm: $\pm 1.1^\circ$
1.0 mm: $\pm 1.8^\circ$	1.0 mm: $\pm 2^\circ$	2.0 mm: $\pm 2.4^\circ$
2.0 mm: $\pm 5.2^\circ$	2.0 mm: $\pm 4.6^\circ$	4.0 mm: $\pm 6.7^\circ$

### Additional Linearity Error at Radial Displacement - Redundant Versions

Z-RFC-P02 / P04 / P08 Z-RFC-P20 / P23 / P31	Z-RFC-P18 / P28	Z-RFC-P22
0.5 mm: $\pm 0.7^\circ$	0.5 mm: $\pm 1.1^\circ$	1.0 mm: $\pm 1.1^\circ$
1.0 mm: $\pm 1.8^\circ$	1.0 mm: $\pm 2^\circ$	2.0 mm: $\pm 2.4^\circ$
2.0 mm: $\pm 5.2^\circ$	2.0 mm: $\pm 4.6^\circ$	4.0 mm: $\pm 6.7^\circ$

## Sensor Mounting



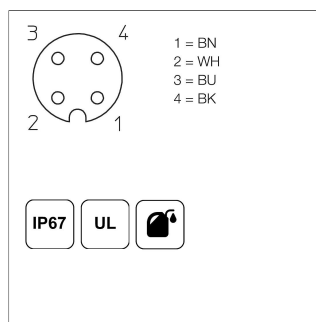
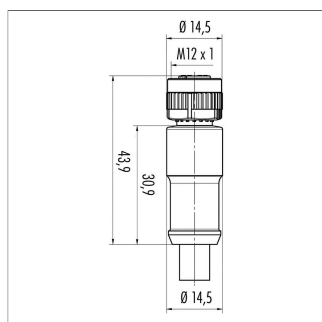
### Z-RFX-M01

Mounting plate for adjustable mounting on screw-hole circle 90 mm. Assembly material (3x countersink screws) included in delivery

Material Aluminium, anodized

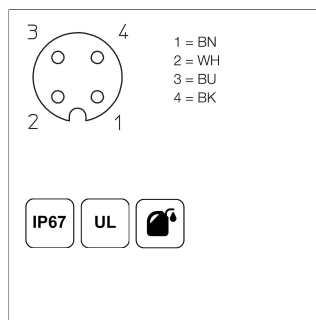
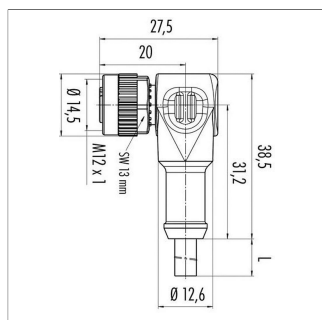
P/N	Type
400104278	Z-RFX-M01

## Connector System M12



**EEM-33-35/36/37**  
M12x1 Mating female connector, 4-pin, straight, A-coded, with molded cable, not shielded, IP67, open ended  
Plug housing PA  
Cable sheath PUR,  $\varnothing$  = max. 6 mm, -40 ... +85°C (fixed)  
Lead wires PP, 0.34 mm<sup>2</sup>

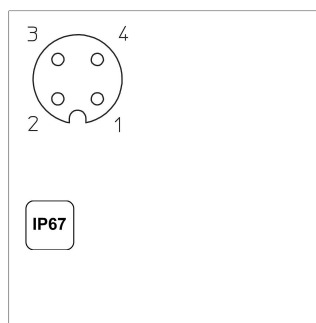
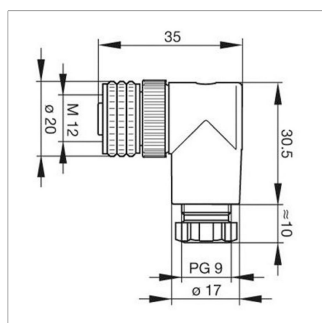
P/N	Type	Length
400056135	EEM-33-35	2 m
400056136	EEM-33-36	5 m
400056137	EEM-33-37	10 m



**EEM-33-38/39/40**  
M12x1 Mating female connector, 4-pin, angled, A-coded, with molded cable, not shielded, IP67, open ended

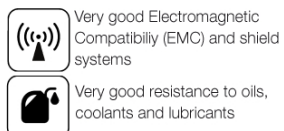
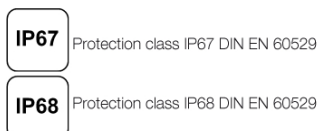
Plug housing PA  
Cable sheath PUR,  $\varnothing$  = max. 6 mm, -40 ... +85°C (fixed)  
Lead wires PP, 0.34 mm<sup>2</sup>

P/N	Type	Length
400056138	EEM-33-38	2 m
400056139	EEM-33-39	5 m
400056140	EEM-33-40	10 m



**EEM-33-89**  
M12x1 Mating female connector, 4-pin, angled, A-coded, with coupling nut, screw termination, IP67, not shieldable  
Operating temp. -25 ... +90°C  
Plug housing PBT  
For wire gauge 6 ... 8 mm, max. 0.75 mm<sup>2</sup>

P/N	Type
400005634	EEM-33-89



Novotechnik  
Messwertaufnehmer OHG  
P.O.Box 4220  
73745 Ostfildern (Germany)  
Horbstrasse 12  
73760 Ostfildern (Germany)  
Phone +49 711 4489-0  
Fax +49 711 4489-118  
info@novotechnik.de  
www.novotechnik.de



© Nov 8, 2023

The specifications contained in our datasheets are intended solely for informational purposes. The documented specification values are based on ideal operational and environmental conditions and can vary significantly depending on the actual customer application. Using our products at or close to one or more of the specified performance ranges can lead to limitations regarding other performance parameters. It is therefore necessary that the end user verifies relevant performance parameters in the intended application. We reserve the right to change product specifications without notice.