



Multi-Jet wet type cold water meter improved by Teksan experience

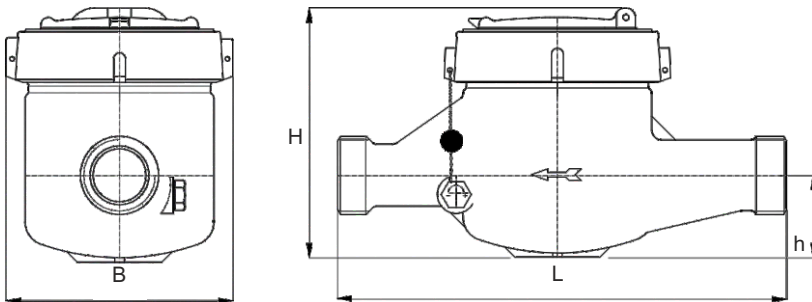
- Multi-jet wet type
- 360°C rotatable cover.
- Display on 5 drums for m³ and 4 pointers for litres
- Optional check valve
- Measuring range up to R160
- MID certificate
- Forged brass housing
- Water temperature up to 50°C



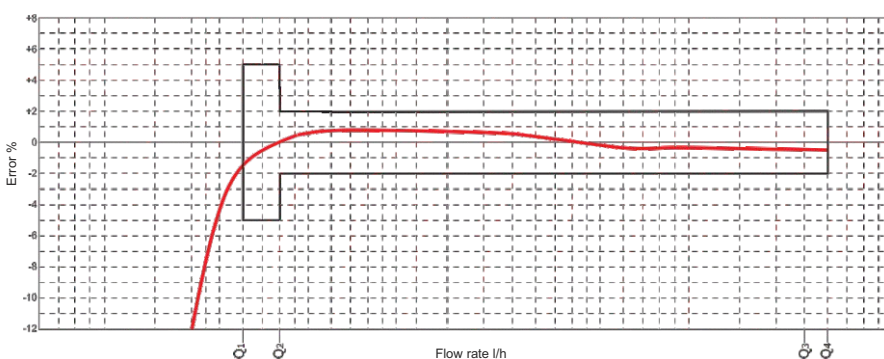
Technical Specifications

Nominal diameter	DN	mm	20
Nominal flow rate	Q_3	m ³ /h	2,5
Maximum flow rate	Q_4	m ³ /h	3,125
Minimum flow rate	Q_1	l/h	31,2/25/15,6
Transitional flow rate	Q_2	l/h	50/40/25
Maximum working pressure	P_{max}	bar	16
Pressure loss _(max.Q3)	ΔP	bar	0,63
Maximum working temperature	T_{max}	°C	50
Measuring range	Q_3 / Q_1	R	80/100/160
Overall length	l	mm	190
Maximum register indication		m ³	99.999
Verification scale interval		l	0,05
Width	B	mm	96
Total height	H	mm	112
Height to pipe axis	h	mm	34
Connection thread of meter	-	-	G1B
Nominal size	DN	mm	20
Piping dimensions	-	-	G3/4B
Weight	-	kg	1,170
Installation position			H

Dimensions



Error Curve



Pressure Loss

