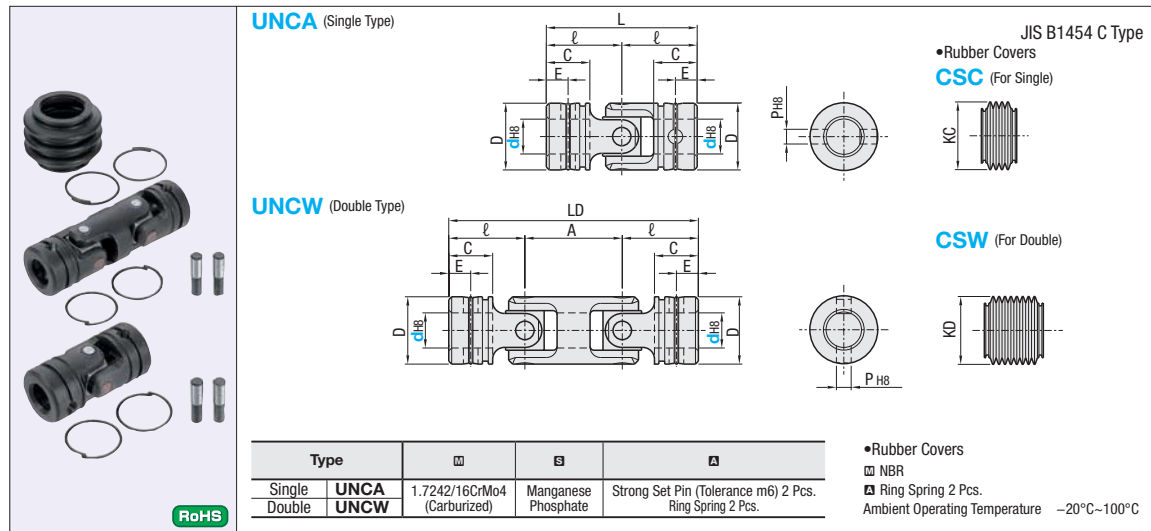


Universal Joints

-Set Pin Type-

CAD Data



UNCA (Single Type)

UNCW (Double Type)

JIS B1454 C Type

- Rubber Covers
- CSC** (For Single)
- CSW** (For Double)

Type	Material	Material	Material
Single	UNCA	1.7242/16CrMo4 (Carburized)	Manganese Phosphate
Double	UNCW	1.7242/16CrMo4 (Carburized)	Strong Set Pin (Tolerance m6) 2 Pcs. Ring Spring 2 Pcs.

• Rubber Covers
 □ NBR
 ▣ Ring Spring 2 Pcs.
 Ambient Operating Temperature -20°C~100°C

Universal Joints

Part Number	Type	d	D	Single		Double		ℓ	C	E	P	Unit Price		Qty. 1-9
				L	LD	A	UNCA					UNCW		
UNCA (Single Type)	6	12	31	-	-	15.5	9	4.5	3	-	-	12,00	-	-
	8	15	36	-	-	18	10	5	3.5	-	-	-	-	-
	10	20	42	67.5	25.5	21	12	6	4.5	-	-	13,00	20,00	-
	12	23	52	83	31	26	15	7.5	5	-	-	15,00	27,00	-
	14	26	59	94.5	35.5	29.5	17	8.5	5.8	-	-	18,00	32,00	-
UNCW (Double Type)	16	30	74	117.5	43.5	37	22	11	6.5	-	-	20,00	36,00	-
	18	33	81	-	-	40.5	23.5	11.75	7	-	-	26,00	-	-
	20	36	87	139	52	43.5	25	12.5	8	-	-	32,00	60,00	-
	25	44	105	-	-	52.5	30	15	10	-	-	44,00	-	-
	30	51	122	-	-	61	35	17.5	11.5	-	-	56,00	-	-

Rubber Covers

Part Number	Type	d	KC	KD	Unit Price		Qty. 1-9
					CSC	CSW	
CSC (Single Type)	8	25	-	-	-	-	-
	10	32	32	-	-	4,00	-
	12	35	36	-	-	-	6,00
	14	40	40	-	-	-	-
	16	46	46	-	-	5,00	8,00
	18	52	-	-	-	-	-
CSW (Double Type)	20	58	58	-	-	7,00	-
	25	68	-	-	-	8,00	-
	30	82	-	-	-	18,00	-

*d=6 does not come with rubber cover.

Part Number	Type	d	Common for UNCA · UNCW				UNCA				UNCW			
			Allowable Condition Variable	Allowable Revolution Frequency (r/min)	Allowable Operating Angle (°)	Static Tensile Destructive Load (N)	Allowable Torque (N · m)	Static Destructive Torque (N · m)	GD ² (kg · cm ²)	Mass (g)	Allowable Torque (N · m)	Static Destructive Torque Direction of Torque (N · m)	GD ² (kg · cm ²)	Mass (g)
UNCA (Single Type)	6	28000	1800	30	5300	5.3	16	0.015	15	-	-	-	-	
	8	42000	1500		7840	11.6	35	0.044	30	-	-	-	-	
	10	70000	1300		13000	27.4	83	0.13	55	20.1	61	0.21	95	
	12	106000	1100		23000	46	140	0.35	110	33	100	0.55	180	
	14	133000	1000		26000	66	200	0.67	155	46	140	1	250	
UNCW (Double Type)	16	175000	900	39000	102	310	1.5	260	76	230	2.3	410		
	18	203000	800	44000	132	400	2.3	345	-	-	-	-		
	20	239000	700	52000	175	530	3.6	465	129	390	5.7	690		
	25	356000	600	81000	330	1000	9.7	790	-	-	-	-		
	30	465000	550	100000	495	1500	20	1160	-	-	-	-		

Order Example
Part Number
UNCA16
CSC16

Days to Ship
8 Days
 Express A 2,00 EUR/piece P.92

☛An Express Charge of 5,40 EUR for 3 or more identical pieces

Price
Volume Discount P.92

Quantity	1-9	10-19
Rate	Price List	5%

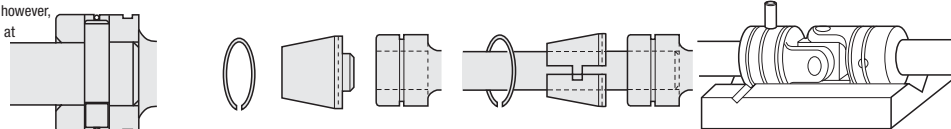
☛For orders larger than indicated values, please request for quotation.

Strong Set Pins

- The material 1.7242/16CrMo4 is carburized and polished (m6 tolerance).
- The effective part is stepped and 1-sided as shown in the right figure.
- A slight degree of misalignment is no problem on shaft's pin hole, however, the pinhole must be finished at around H8.

How to Handle Ring Spring

- Spring performance may be lost in case of removing fixed ring springs.
- Use jig as shown in the figure can make assembly easier.
- Avoid leaving the ring spring hung on the outer joint for a long time and do not hammer.

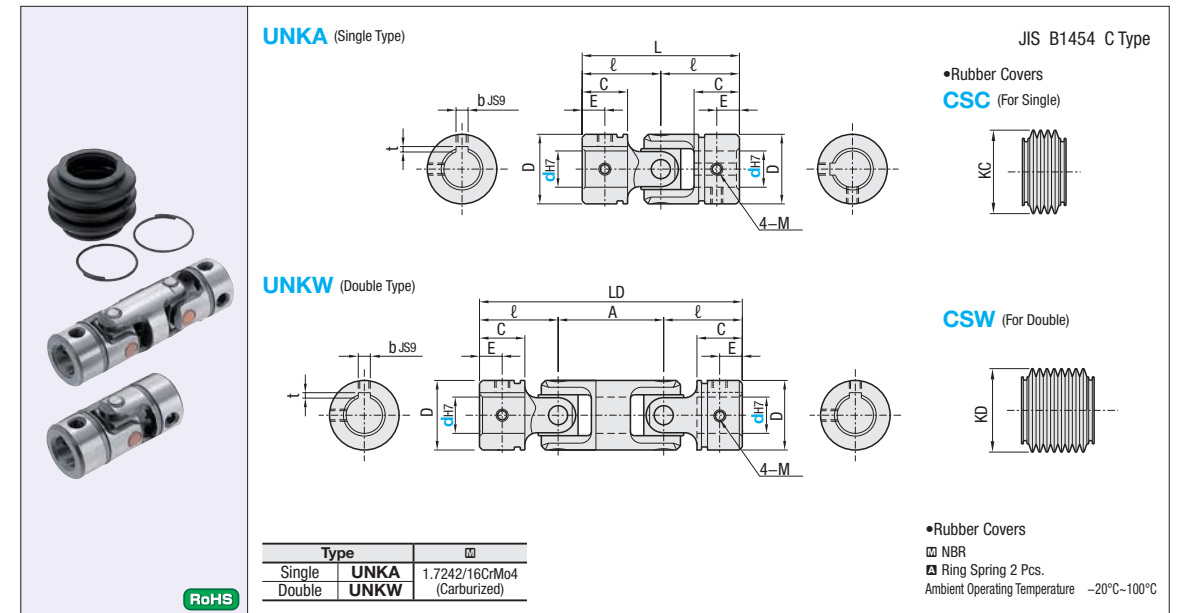


Universal Joints

-Key Groove, Tapped Type-

CAD Data

■Features: Shaft does not require pin hole machining, and key groove alone can tighten it.



UNKA (Single Type)

UNKW (Double Type)

JIS B1454 C Type

- Rubber Covers
- CSC** (For Single)
- CSW** (For Double)

Type	Material
Single	UNKA
Double	UNKW

1.7242/16CrMo4 (Carburized)

• Rubber Covers
 □ NBR
 ▣ Ring Spring 2 Pcs.
 Ambient Operating Temperature -20°C~100°C

Universal Joints

Part Number	Type	d	D	Single		Double		ℓ	C	E	b	t	M (Coarse)	Unit Price		Qty. 1-9
				L	LD	A	UNKA							UNKW		
UNKA (Single Type)	10	19	42	67.5	25.5	21	12	6	3	1.4	M5	28,00	56,00	-		
	12	23	52	83	31	26	15	7.5	4	1.8	M5	30,00	60,00	-		
	14	26	59	94.5	35.5	29.5	17	8.5	5	2.3	M6	32,00	64,00	-		
UNKW (Double Type)	16	30	74	117.5	43.5	37	22	11	5	2.3	M6	39,00	78,00	-		
	20	36	87	139	52	43.5	25	12.5	6	2.8	M6	54,00	108,00	-		

Part Number	Type	d	Common for UNKA · UNKW				UNKA				UNKW			
			Allowable Condition Variable	Allowable Revolution Frequency (r/min)	Allowable Operating Angle (°)	Static Tensile Destructive Load (N)	Allowable Torque (N · m)	Static Destructive Torque (N · m)	GD ² (kg · cm ²)	Mass (g)	Allowable Torque (N · m)	Static Destructive Torque (N · m)	GD ² (kg · cm ²)	Mass (g)
UNKA (Single Type)	10	80000	2000	30	13000	27.4	83	0.13	55	20.1	61	0.21	95	
	12	121000	1800		23000	46	140	0.35	110	33	100	0.55	180	
	14	151000	1600		26000	66	200	0.67	155	46	140	1	250	
UNKW (Double Type)	16	200000	1400	39000	102	310	1.5	260	76	230	2.3	410		
	20	273000	1000	52000	175	530	3.6	465	129	390	5.7	690		

Rubber Covers

Part Number	Type	d	KC	KD	Unit Price		Qty. 1-9
					CSC	CSW	
CSC (Single Type)	10	32	32	-	-	4,00	6,00
	12	35	36	-	-	-	-
	14	40	40	-	-	-	-
CSW (Double Type)	16	46	46	-	-	5,00	8,00
	20	58	58	-	-	7,00	14,00

Order Example
Part Number
UNKA16
CSW16

Days to Ship
8 Days
 Express A 2,00 EUR/piece P.92

☛An Express Charge of 5,40 EUR for 3 or more identical pieces

Selecting Method

(1) Condition Variables (Formula)

$$\text{Calculation Condition Variable} = \text{Revolutions (r/min)} \times \text{Angle (}^\circ\text{)} \times \text{Torque (N} \cdot \text{m)}$$

$$\text{Calculation Condition Variable} < \text{Allowable Condition Variable}$$

(2) Revolution Frequency (r/min)

$$\text{Revolutions} \times \text{Angle Coefficient} < \text{Allowable No. of Revolutions} = \text{Angle Coefficient Table}$$

Angle	5° or less	10°	15°	20°	25°	30°
Angle Coefficient	1.00	1.05	1.18	1.43	1.82	2.50

Price
Volume Discount P.92

Quantity	1-9	10-19
Rate	Price List	5%

☛For orders larger than indicated values, please request for quotation.