

SINEAX U553

Transducer for AC Voltage

With power supply
RMS value measurement
Carrying rail housing P13/70



Application

The transducer **SINEAX U553** (Fig. 1) converts a sinusoidal or a distorted AC voltage into a **load independent** DC current or a **load independent** DC voltage proportional to the measured value.

The transducer fulfils all the important requirements and regulations concerning electromagnetic compatibility **EMC** and **Safety** (IEC 1010 resp. EN 61 010). It was developed and is manufactured and tested in strict accordance with the **quality assurance standard** ISO 9001.



Fig. 1. Transducer SINEAX U553 in housing **P13/70** clipped onto a top-hat rail.

Features / Benefits

- Measuring input: AC voltage, sine or distorted wave forms, RMS value measurement

Measured variable	Measuring range limits
AC voltage	0 ... 20 to 0 ... 690 V

- Measuring output: Unipolar and live-zero output variables
- Measuring principle: Logarithmic method
- AC/DC power supply / Universal
- Standard version as per Germanischer Lloyd

The output amplifier transforms the measuring signal into an impressed DC current output signal A.

The electronic components are supplied with voltage H from the mains supply unit H.

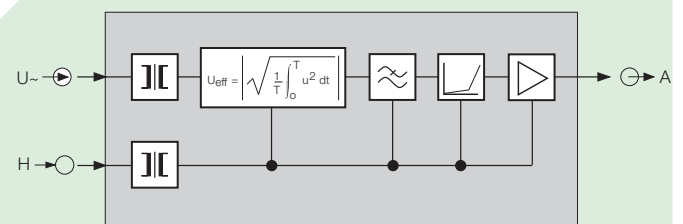


Fig. 2. Block diagram.

Mode of operation

Input signal U_{\sim} is galvanically separated from the mains network using a transformer.

The following mathematical expression is then formed using a root-mean-square value computer

$$U_{\text{eff}} = \sqrt{\frac{1}{T} \int_0^T u^2 dt}$$

Following filtration by means of an active filter, the transformation properties of the measuring transducer are determined in the succeeding characteristics circuit.

Technical data

General

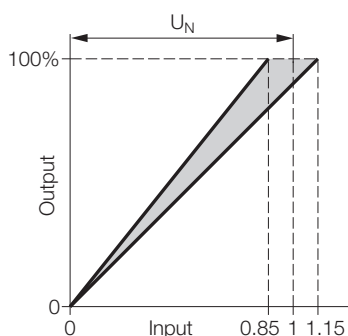
Measured quantity:	AC voltage Sine or distorted wave forme RMS value measurement
Measuring principle:	Logarithmic method

SINEAX U553

Transducer for AC Voltage

Measuring input E \rightarrow

Nominal frequency f_N :	50/60 or 400 Hz
Nominal input voltage U_N (measuring range end value):	0 ... 20 to 0 ... 690 V
Setting:	Admissible alteration of full-scale output, variable sensitivity, adjustable with potentiometer
	Setting range $0.85 \dots 1.15 \cdot U_N (\pm 15\%)$



Own consumption: ≤ 1 VA with input end value

Overload capacity:

Measured quantity U_N	Number of applications	Duration of one application	Interval between two successive applications
$1.2 \cdot U_N^1$	—	continuously	—
$2 \cdot U_N^1$	10	1 s	10 s

¹ But max. 264 V with power supply from measuring input

Measuring output A \rightarrow

Load-independent DC current:	0 ... 1 to 0 ... 20 mA resp. live-zero 0.2 ... 1 to 4 ... 20 mA
Burden voltage:	15 V
External resistance:	$R_{\text{ext max.}} [\text{k}\Omega] = \frac{15 \text{ V}}{I_{\text{AN}} [\text{mA}]}$ $I_{\text{AN}} =$ Output current end value
Load-independent DC voltage:	0 ... 1 to 0 ... 10 V resp. live-zero 0.2 ... 1 to 2 ... 10 V
External resistance:	$R_{\text{ext}} [\text{k}\Omega] \geq \frac{U_A [\text{V}]}{2 \text{ mA}}$
Current limit under overload:	$\leq 1.5 \cdot I_{\text{AN}}$ at current output Approx. 10 mA at voltage output

Voltage limit under $R_{\text{ext}} = \infty$:	≤ 25 V
Residual ripple in output current:	$\leq 0.5\%$ p.p. at setting time 300 ms $\leq 2\%$ p.p. at setting time 50 ms
Setting time:	50 ms or 300 ms

Power supply H \rightarrow

AC/DC power pack (DC or 50/60 Hz)

Table 1: Rated voltages and permissible variations

Rated voltage	Tolerance
85 ... 230 V DC / AC	DC $-15 \dots +33\%$
24 ... 60 V DC / AC	AC $\pm 15\%$

Option: Connected to the low tension terminal side 12 and 13
24 V AC or 24 ... 60 V DC

Power consumption: 3 VA

Accuracy (acc. to EN 60 688)

Reference value: Output end value

Basic accuracy: Class 0.5

Reference conditions:

Ambient temperature	15 ... 30 °C
Input variable	Rated operating range
Frequency	$f_N \pm 2$ Hz
Curve shape	Sine-wave
Crest factor	$\sqrt{2}$
Power supply	In rated range
Output burden	Current: $0.5 \cdot R_{\text{ext max.}}$ Voltage: $2 \cdot R_{\text{ext min.}}$
Warm-up time	≤ 5 min.

Influence effects (maxima):

included in basic error

Frequency	40 ... 400 Hz, $\pm 0.3\%$ 30 ... 1000 Hz, $\pm 0.5\%$
Crest factor	1 ... 2.5 $\pm 0.2\%$ > 2.5 ... 6 $\pm 0.5\%$

Safety

Protection class:	II (protection isolated, EN 61 010)
Housing protection:	IP 40, housing (test wire, EN 60 529) IP 20, terminals (test finger, EN 60 529)
Contamination level:	2
Overvoltage category:	III

SINEAX U553

Transducer for AC Voltage

Rated insulation voltage (versus earth):	400 V, input 230 V, power supply 40 V, output
Test voltage:	50 Hz, 1 min. acc. to EN 61 010-1 3700 resp. 5550 V, input versus all other circuits as well as outer surface 3700 V, power supply versus output as well as outer surface 490 V, output versus outer surface

Installation data

Mechanical design:	Housing P13/70
Material of housing:	Lexan 940 (polycarbonate), flammability Class V-0 acc. to UL 94, self-extinguishing, non-dripping, free of halogen
Mounting:	For rail mounting
Mounting position:	Any
Weight:	Approx. 0.3 kg

Connecting terminals

Connection element:	Screw-type terminals with indirect wire pressure
Permissible cross section of the connection leads:	≤ 4.0 mm ² single wire or 2 × 2.5 mm ² fine wire

Environmental conditions

Operating temperature:	– 10 to + 55 °C
Storage temperature:	– 40 to + 70 °C
Relative humidity of:	≤ 75%, no dew
Altitude:	2000 m max.
Indoor use statement!	

Ambient tests

EN 60 068-2-6:	Vibration
Acceleration:	± 2 g
Frequency range:	10 ... 150 ... 10 Hz, rate of frequency sweep: 1 octave/minute
Number of cycles:	10, in each of the three axes
EN 60 068-2-27:	Shock
Acceleration:	3 × 50 g 3 shocks each in 6 directions
EN 60 068-2-1/-2/-3:	Cold, dry heat, damp heat
IEC 1000-4-2/-3/-4/-5/-6 EN 55 011:	Electromagnetic compatibility

Germanischer Lloyd

Type approval certificate:	No. 12 259-98 HH
Ambient category:	C
Vibrations:	0.7 g

Table 2: Specification and ordering information

Designation	*Blocking code	No-go with blocking code	Article No./ Feature
SINEAX U553	Order Code 553 - xxxx xx		553 –
Features, Selection			
1. Mechanical design			
Housing P13/70 for rail mounting			4
2. Nominal input frequency			
50/60 Hz			1
400 Hz			3

Continuation see on next page!

SINEAX U553

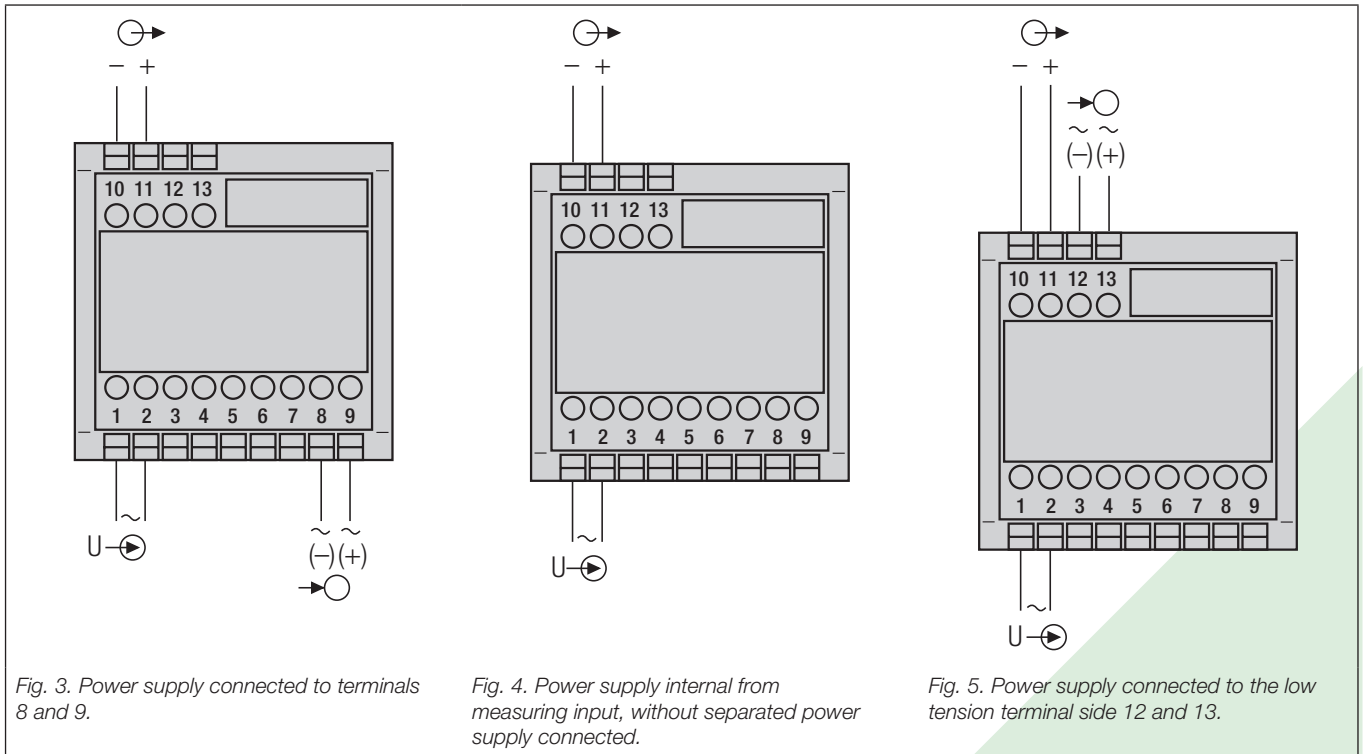
Transducer for AC Voltage

Designation	*Blocking code	No-go with blocking code	Article No./ Feature
SINEAX U553	Order Code 553 - xxxx xx		553 –
Features, Selection			
3. Measuring range			
0 ... 100 / $\sqrt{3}$	A		A
0 ... 110 / $\sqrt{3}$	A		B
0 ... 100	B		C
0 ... 110	B		D
0 ... 116.66	B		E
0 ... 120	B		F
0 ... 125	B		G
0 ... 133.33	B		H
0 ... 150	B		J
0 ... 250	C		K
0 ... 500*	C		L
Non-standard [M] 			Z
0 ... 20 to 0 ... 690 V With power supply from measuring input min. 24 V / max. 230 V, see feature 5, lines 3 and 4. * Max. 400 V nominal value of the network against earth (operating voltage acc. to EN 61 010)			
4. Output signal			
0 ... 20 mA, $R_{ext} \leq 750 \Omega$			1
4 ... 20 mA, $R_{ext} \leq 750 \Omega$			2
Non-standard [mA] 			9
0 ... 1.00 to 0 ... < 20 0.2 ... 1 to < (4 ... 20)			
0 ... 10 V, $R_{ext} \geq 5 k\Omega$			A
Non-standard [V] 			Z
0 ... 1.00 to 0 ... < 10 0.2 ... 1 to 2 ... 10			
5. Power supply			
85 ... 230 V DC / AC			1
24 ... 60 V DC / AC			2
From measuring input $\geq 24 \dots 60$ V AC		BC	3
From measuring input $\geq 85 \dots 230$ V AC		AC	4
Connected to the low tension terminal side 12 and 13 24 V AC / 24 ... 60 V DC			5
6. Setting time			
0.3 s			1
50 ms			2

*Lines with letter(s) under "no-go" cannot be combined with preceding lines having the same letter under "Blocking code".

SINEAX U553 Transducer for AC Voltage

Electrical connections



- = Measuring input
- = Measuring output
- = Power supply

Dimensional drawing

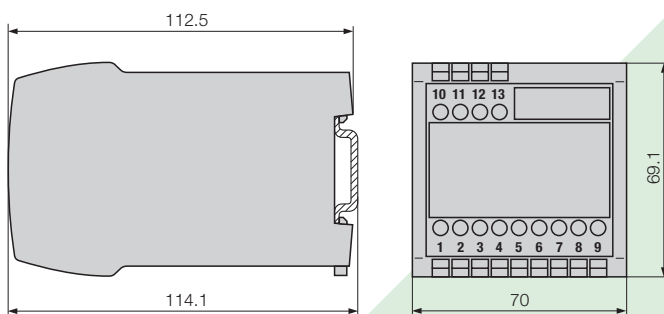


Fig. 6. SINEAX U553 in housing **P13/70** clipped onto a top-hat rail (35 × 15 mm or 35 × 7.5 mm, acc. to EN 50 022).

Standard accessories

1 Operating Instructions in three languages: German, French, English

CAMILLE BAUER

Rely on us.

Camille Bauer AG
Aargauerstrasse 7
CH-5610 Wohlen / Switzerland
Phone: +41 56 618 21 11
Fax: +41 56 618 21 21
info@camillebauer.com
www.camillebauer.com