

Absolute encoders – multiturn

Standard mechanical multiturn, optical	Sendix 5868 / 5888 (shaft / hollow shaft)	EtherCAT
---	--	-----------------



The multiturn encoders Sendix 5868 and 5888 with second-generation EtherCAT interface and optical sensor technology are ideal for use in all applications with an EtherCAT interface.

The data communication is based on CAN over EtherNet and ideally suited for use in real time applications.

These encoders are available with a solid shaft up to a maximum of 10 mm or a blind hollow shaft up to 15 mm.



EtherCAT
Conformance tested

Mechanical drive	Safety-Lock™	High rotational speed	Temperature range	High protection level	High shaft load capacity	Shock / vibration resistant	Magnetic field proof	Reverse polarity protection	Optical sensor	Surface protection salt spray-tested optional

Reliable

- EtherCAT conformance tested.
- Integration of the latest slave – EtherCAT stack from Beckhoff, Version 5.01.
- Ideally suited for use in harsh outdoor environments, thanks to IP67 protection and rugged housing construction.

Flexible

- Use of CoE (CAN over EtherNet).
- Genuine new position information as a result of minimal cycle time of 62.5 μs in the DC mode.
- Faster, easier error-free connection thanks to M12 connectors.
- Supports Hot Connect.

Order code	8.5868	. X X B 2 . B2 12
Shaft version	Type	a b c d e

If for each parameter of an encoder the underlined preferred option is selected, then the delivery time will be 10 working days for a maximum of 10 pieces.
Qts. up to 50 pcs. of these types generally have a delivery time of 15 working days.



a Flange	b Shaft (ø x L), with flat	c Interface / power supply	Optional on request
<u>1 = clamping flange, IP65 ø 58 mm [2.28"]</u>	<u>1 = 6 x 10 mm [0.24 x 0.39"]</u> ¹⁾	<u>B = EtherCAT / 10 ... 30 V DC</u>	- Ex 2/22
3 = clamping flange, IP67 ø 58 mm [2.28"]	<u>2 = 10 x 20 mm [0.39 x 0.79"]</u> ²⁾		- surface protection salt spray tested
<u>2 = synchro flange, IP65 ø 58 mm [2.28"]</u>	3 = 1/4" x 7/8"	d Type of connection	
4 = synchro flange, IP67 ø 58 mm [2.28"]	4 = 3/8" x 7/8"	<u>removable bus terminal cover</u>	
5 = square flange, IP65 □ 63.5 mm [2.5"]		<u>2 = 3 x M12 connector, 4-pin</u>	
7 = square flange, IP67 □ 63.5 mm [2.5"]		e Fieldbus profile	
		<u>B2= EtherCAT with CoE (CAN over EtherNet)</u>	

Order code	8.5888	. X X B 2 . B2 12
Hollow shaft	Type	a b c d e

If for each parameter of an encoder the underlined preferred option is selected, then the delivery time will be 10 working days for a maximum of 10 pieces.
Qts. up to 50 pcs. of these types generally have a delivery time of 15 working days.



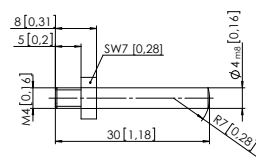
a Flange	b Blind hollow shaft	c Interface / power supply	Optional on request
1 = with spring element, long, IP65	(insertion depth max.	<u>B = EtherCAT / 10 ... 30 V DC</u>	- Ex 2/22
2 = with spring element, long, IP67	30 mm [1.18"])		- surface protection salt spray tested
3 = with stator coupling, IP65 ø 65 mm [2.56"]	3 = ø 10 mm [0.39"]	d Type of connection	
4 = with stator coupling, IP67 ø 65 mm [2.56"]	<u>4 = ø 12 mm [0.47"]</u>	<u>removable bus terminal cover</u>	
<u>5 = with stator coupling, IP65 ø 63 mm [2.48"]</u>	5 = ø 14 mm [0.55"]	<u>2 = 3 x M12 connector, 4-pin</u>	
6 = with stator coupling, IP67 ø 63 mm [2.48"]	6 = ø 15 mm [0.59"]	e Fieldbus profile	
	8 = ø 3/8"	<u>B2= EtherCAT with CoE (CAN over EtherNet)</u>	
	9 = ø 1/2"		

1) Preferred type only in conjunction with flange type 2.
2) Preferred type only in conjunction with flange type 1.

Absolute encoders – multiturn

Standard mechanical multiturn, optical	Sendix 5868 / 5888 (shaft / hollow shaft)	EtherCAT
---	--	-----------------

Mounting accessory for shaft encoders		Order no.
Coupling	bellows coupling ø 19 mm [0.75"] for shaft 6 mm [0.24"]	8.0000.1102.0606
	bellows coupling ø 19 mm [0.75"] for shaft 10 mm [0.39"]	8.0000.1102.1010

Mounting accessory for hollow shaft encoders		Order no.
Torque pin, ø 4 mm for flange with spring element (flange type 1 + 2)	with fixing thread 	8.0010.4700.0000

Cables and connectors		Order no.
Preassembled cables	M12 male connector with external thread, 4-pin, D coded, straight single-ended 2 m [6.56'] PUR cable	Bus IN + Bus OUT 05.00.6031.4411.002M
	M12 female connector with coupling nut, 4-pin, A coded, straight single-ended 2 m [6.56'] PUR cable	supply voltage 05.00.6061.6211.002M
Connectors	M12 male connector with external thread, 4-pin, D coded, straight (metal)	Bus IN + Bus OUT 05.WASCSY4S
	M12 female connector with coupling nut, 4-pin, A coded, straight (plastic)	supply voltage 05.B8141-0

Further Kübler accessories can be found at: kuebler.com/accessories
 Further Kübler cables and connectors can be found at: kuebler.com/connection-technology

Technical data

Mechanical characteristics	
Maximum speed	IP65 up to 70 °C [158 °F] 9000 min ⁻¹ , 7000 min ⁻¹ (continuous) IP65 up to T _{max} 7000 min ⁻¹ , 4000 min ⁻¹ (continuous) IP67 up to 70 °C [158 °F] 8000 min ⁻¹ , 6000 min ⁻¹ (continuous) IP67 up to T _{max} 6000 min ⁻¹ , 3000 min ⁻¹ (continuous)
Starting torque - at 20 °C [68 °F]	IP65 < 0.01 Nm IP67 < 0.05 Nm
Mass moment of inertia	shaft version 3.0 x 10 ⁻⁶ kgm ² hollow shaft version 7.5 x 10 ⁻⁶ kgm ²
Load capacity of shaft	radial 80 N axial 40 N
Weight	approx. 0.54 kg [19.05 oz]
Protection acc. to EN 60529	housing side IP67 shaft side IP65, opt. IP67
Working temperature range	-40 °C ... +80 °C [-40 °F ... +176 °F]
Material	shaft/hollow shaft stainless steel flange aluminum housing zinc die-cast
Shock resistance acc. to EN 60068-2-27	2500 m/s ² , 6 ms
Vibration resistance acc. to EN 60068-2-6	100 m/s ² , 55 ... 2000 Hz

Electrical characteristics	
Power supply	10 ... 30 V DC
Power consumption (no load)	max. 120 mA
Reverse polarity protection of the power supply	yes

Interface characteristics EtherCAT	
Resolution singleturn (MUR)	scalable 1 ... 65 536 (16 bit) default 8 192 (13 bit)
Number of revolutions (NDR)	1 ... 4 096 (12 bit) scalable only via the total resolution
Total resolution (TMR)	scalable 1 ... 268 435 456 (28 bit) default 33 554 432 (25 bit)
Protocol	EtherNet / EtherCAT

Approvals	
UL compliant in accordance with	File no. E224618
CE compliant in accordance with	EMC Directive 2014/30/EU RoHS Directive 2011/65/EU ATEX Directive 2014/34/EU (for Ex 2/22 variants)
UKCA compliant in accordance with	EMC Regulations S.I. 2016/1091 RoHS Regulations S.I. 2012/3032 UKEX Regulations S.I. 2016/1107 (for Ex 2/22 variants)

Absolute encoders – multiturn

Standard mechanical multiturn, optical	Sendix 5868 / 5888 (shaft / hollow shaft)	EtherCAT
Diagnostic LED (red) LED is ON with the following fault conditions: Sensor error (internal code or LED error), low voltage, over-temperature		2 x Link LEDs (yellow) LED is ON with the following conditions (port IN and port OUT): Link detected
Run LED (green) LED is ON with the following conditions: Preop-, Safeop and Op-State (EtherCAT status machine)		Modes Freerun, distributed clock

General information about CoE (CAN over EtherNet)

The EtherCAT encoders support the CANopen communication profile according to DS301. In addition device-specific profiles like the encoder profile DS406 are available.

Scaling, preset values, limit switch values and many other parameters can be programmed via the EtherCAT bus.

When switching the device on, all parameters are loaded from an EEPROM, where they were saved previously to protect them against power-failure.

The following output values may be combined as PDO (PDO mapping): **position, speed, temperature values** and **working area state** as well as other process values.

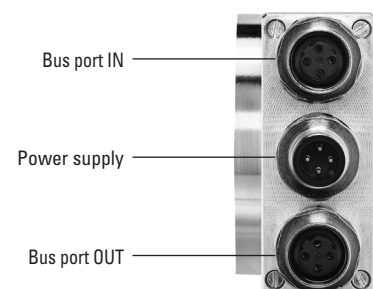
CANopen encoder profile 3.2.10 CoE (CAN over EtherNet)

The following parameters are programmable:

- Position update time of 62.5 μ s.
- EtherCAT certificate of conformity.
- Speed with sign.
- Four units for speed calculation: steps/sec, steps/100 ms, steps/10 ms, min^{-1} .
- Time stamp as system time at the point in time when the position is read out.
- Two working area state registers.
- Along with the scaled position, the raw data – position as process value – is also mappable.
- Dynamic mapping.
- Gating time: setting of the time interval, via which the speed value can be interpolated.
- Sensor temperature in degrees Celsius.
- Comprehensive plausibility test when downloading parameters to the encoder.
- Alarm and warning messages.
- User interface with visual display of bus and fault status – 4 LEDs.
- Extended error management for position sensing with integrated temperature control.
- Implementation of the latest CANopen profile 3.2.10 from the 18th February 2011.
- Hot-Connect – Support for rapid change of Bus-topology.

Terminal assignment bus

Interface	Type of connection	Function	M12 connector, 4-pin					
			Signal:	Transmit data+	Receive data+	Transmit data -	Receive data -	
B	2 (3 x M12 connector)	Bus Port IN	Signal:	Transmit data+	Receive data+	Transmit data -	Receive data -	D coded
			Abbreviation:	TxD+	RxD+	TxD-	RxD-	
			Pin:	1	2	3	4	
		Power supply	Signal:	Voltage +	-	Voltage -	-	
			Abbreviation:	+ V	-	0 V	-	
			Pin:	1	2	3	4	
		Bus Port OUT	Signal:	Transmit data+	Receive data+	Transmit data -	Receive data -	D coded
			Abbreviation:	TxD+	RxD+	TxD-	RxD-	
			Pin:	1	2	3	4	



Absolute encoders – multiturn

**Standard
mechanical multiturn, optical**

Sendix 5868 / 5888 (shaft / hollow shaft)

EtherCAT

Dimensions shaft version, with removable bus terminal cover

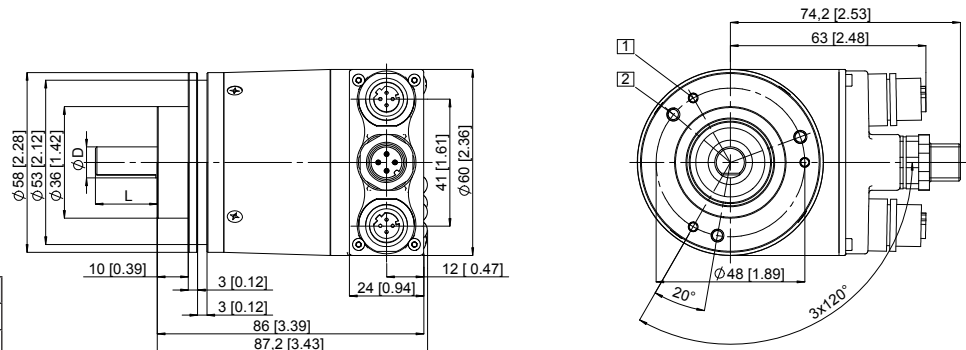
Dimensions in mm [inch]

Clamping flange, \varnothing 58 [2.28]

Flange type 1 and 3

- 1 3 x M3, 6.0 [0.24] deep
- 2 3 x M4, 8.0 [0.31] deep

D	Fit	L
6 [0.24]	h7	10 [0.39]
10 [0.39]	f7	20 [0.79]
1/4"	h7	7/8"
3/8"	h7	7/8"

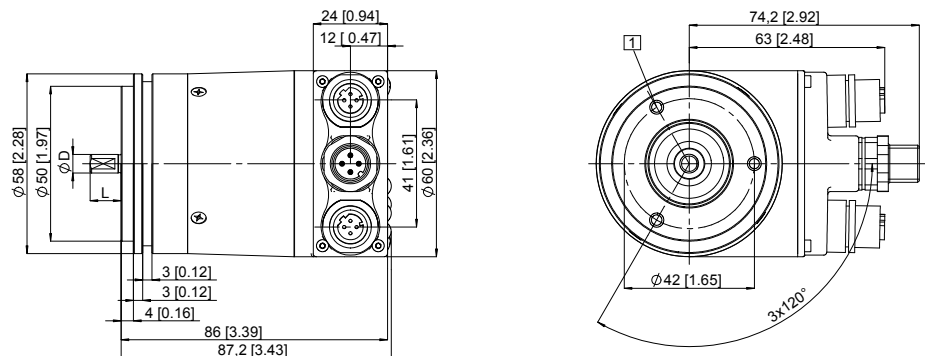


Synchro flange, \varnothing 58 [2.28]

Flange type 2 and 4

- 1 3 x M4, 6.0 [0.24] deep

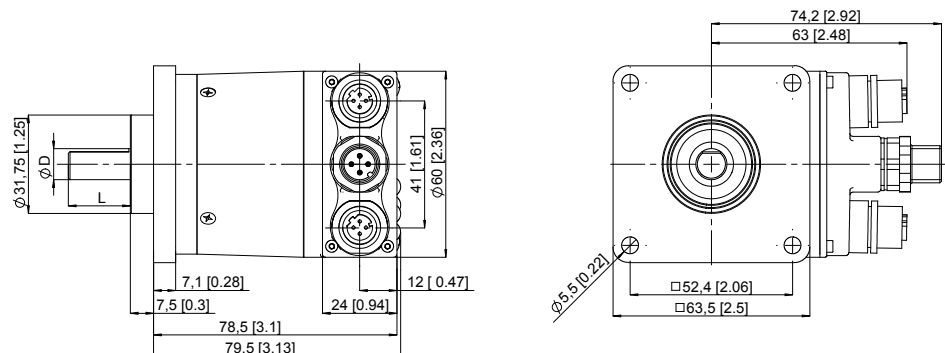
D	Fit	L
6 [0.24]	h7	10 [0.39]
10 [0.39]	f7	20 [0.79]
1/4"	h7	7/8"
3/8"	h7	7/8"



Square flange, \square 63.5 [2.5]

Flange type 5 and 7

D	Fit	L
6 [0.24]	h7	10 [0.39]
10 [0.39]	f7	20 [0.79]
1/4"	h7	7/8"
3/8"	h7	7/8"



Absolute encoders – multiturn

**Standard
mechanical multiturn, optical**

Sendix 5868 / 5888 (shaft / hollow shaft)

EtherCAT

Dimensions hollow shaft version (blind hollow shaft), with removable bus terminal cover

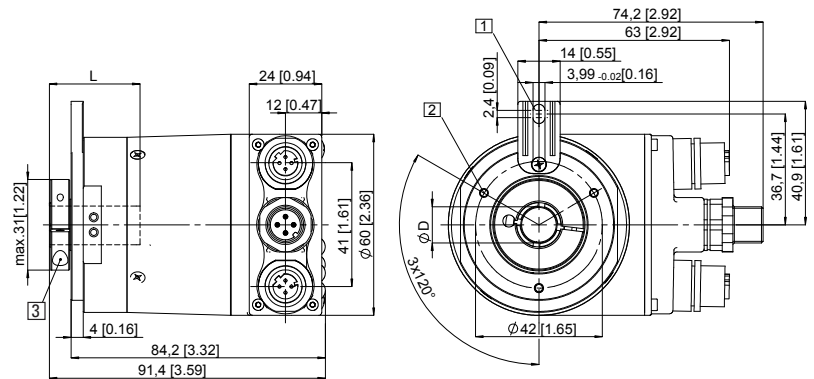
Dimensions in mm [inch]

Flange with spring element, long Flange type 1 and 2

- 1 Slot spring element recommendation: torque pin DIN 7, \varnothing 4 [0.16]
- 2 3 x M3, 5.5 [0.22] deep
- 3 Recommended torque for the clamping ring 0.6 Nm

D	Fit	L
10 [0.39]	H7	30 [1.18]
12 [0.47]	H7	30 [1.18]
14 [0.55]	H7	30 [1.18]
15 [0.59]	H7	30 [1.18]
3/8"	H7	30 [1.18]
1/2"	H7	30 [1.18]

L = insertion depth max. blind hollow shaft

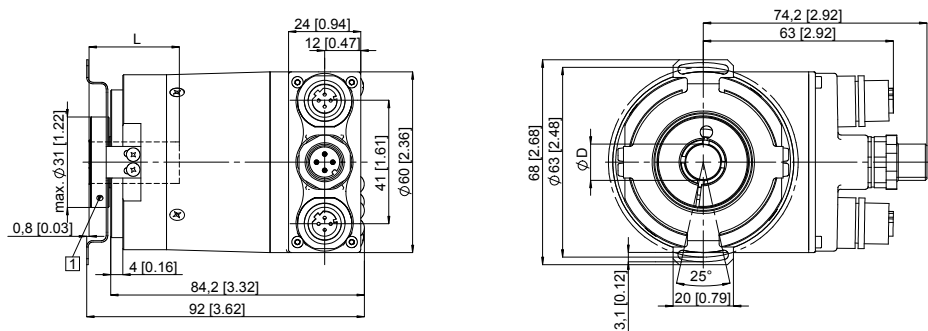


Flange with stator coupling, \varnothing 63 [2.48] Flange type 5 and 6

- 1 Recommended torque for the clamping ring 0.6 Nm

D	Fit	L
10 [0.39]	H7	30 [1.18]
12 [0.47]	H7	30 [1.18]
14 [0.55]	H7	30 [1.18]
15 [0.59]	H7	30 [1.18]
3/8"	H7	30 [1.18]
1/2"	H7	30 [1.18]

L = insertion depth max. blind hollow shaft



Flange with stator coupling, \varnothing 65 [2.56] Flange type 3 and 4

- 1 Recommended torque for the clamping ring 0.6 Nm

D	Fit	L
10 [0.39]	H7	30 [1.18]
12 [0.47]	H7	30 [1.18]
14 [0.55]	H7	30 [1.18]
15 [0.59]	H7	30 [1.18]
3/8"	H7	30 [1.18]
1/2"	H7	30 [1.18]

L = insertion depth max. blind hollow shaft

