

EZF 20/4 E



short description

Axial wall fan for recessed-mounted installation, DN 200, single-phase AC

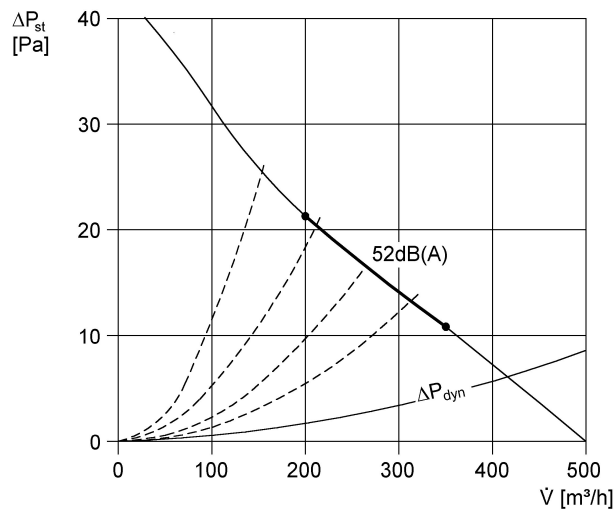
Article number 0085.0484

Technical Data

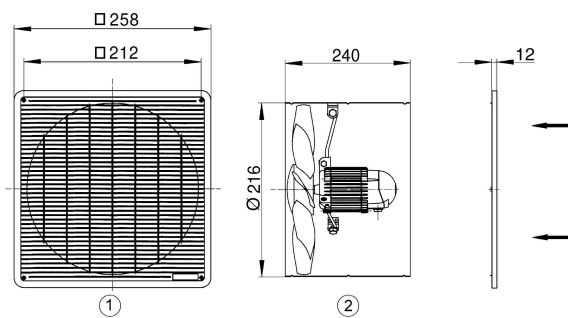
Air flow volume	500 m ³ /h
Rotating speed	1,380 1/min
Speed controllable	✓
Reversing capacity	—
Type of voltage	Alternating current
Rated voltage	230 V
Frequency	50 Hz
Nominal output	30 W
Power consumption	35 W
I _{nom}	0.23 A
I _{max}	0.25 A
Degree of protection (IP)	54
Insulation class	E
Mains cable	3 × 1.5 mm ²
Installation site	Wall, Ceiling
Type of installation	Recessed-mounted
Installation position	horizontal, vertical
Material	Sheet steel, galvanised
Weight	3.9 kg
Nominal size	200 mm
Airstream temperature at nominal current	60 °C
Airstream temperature at I _{Max}	60 °C
Range	C
EAN	4012799854845
Total L _{WA5} , S5 (free inlet sound power level)	56 dB(A)

EZF 20/4 E

Characteristic curve



Dimensions [mm]



- ① Protective grille on intake side
- ② Air flow direction with air drawn across the motor