

Circlips E-type DIN 6799

Item description/product images



Description

Material:

Spring steel or 1.4122 stainless steel.

Version:

Spring steel bright.

Stainless steel bright.

Note:

E-type circlips are pushed into a groove on a shaft. They are DIN 6799 standard elements and are designed for use on small shafts.

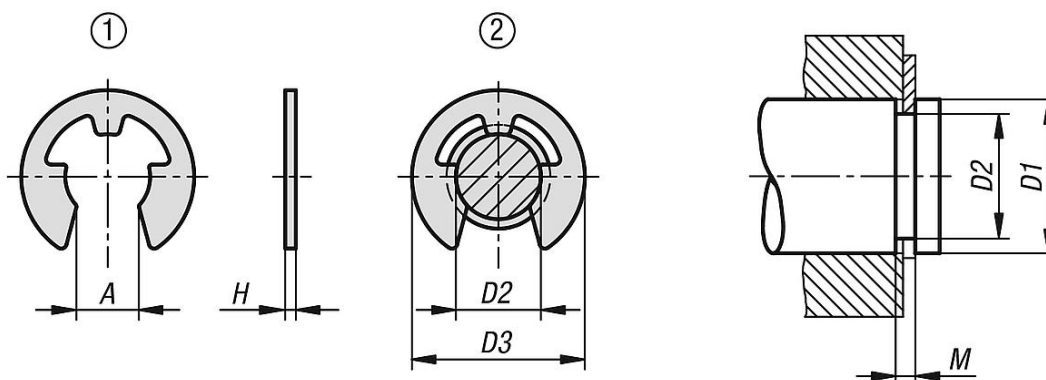
Nominal size = groove ID D2

Drawing reference:

1) loose

2) on shaft

Drawings



Overview of items

Retaining washers for shafts DIN 6799

Order No.	Main material	A	D1	D2	D3	H	M
K1940.0230	spring steel	1,94	3-4	2,3	6,3	0,6	0,64
K1940.0320	spring steel	2,7	4-5	3,2	7,3	0,6	0,64
K1940.0400	spring steel	3,34	5-7	4	9,3	0,7	0,74
K1940.0500	spring steel	4,11	6-8	5	11,3	0,7	0,74
K1940.0600	spring steel	5,26	7-9	6	12,3	0,7	0,74
K1940.0700	spring steel	5,84	8-11	7	14,3	0,9	0,94
K1940.0800	spring steel	6,52	9-12	8	16,3	1	1,05
K1940.0900	spring steel	7,63	10-14	9	18,8	1,1	1,15
K1940.1000	spring steel	8,32	11-15	10	20,4	1,2	1,25
K1940.1200	spring steel	10,45	13-18	12	23,4	1,3	1,35
K1940.0151	stainless steel	1,28	2-2,5	1,5	4,25	0,4	0,44
K1940.0191	stainless steel	1,61	2,5-3	1,9	4,8	0,5	0,54
K1940.0231	stainless steel	1,94	3-4	2,3	6,3	0,6	0,64
K1940.0321	stainless steel	2,7	4-5	3,2	7,3	0,6	0,64
K1940.0401	stainless steel	3,34	5-7	4	9,3	0,7	0,74
K1940.0501	stainless steel	4,11	6-8	5	11,3	0,7	0,74

Circlips E-type DIN 6799**Overview of items**

Order No.	Main material	A	D1	D2	D3	H	M
K1940.0601	stainless steel	5,26	7-9	6	12,3	0,7	0,74
K1940.0701	stainless steel	5,84	8-11	7	14,3	0,9	0,94
K1940.0901	stainless steel	7,63	10-14	9	18,8	1,1	1,15
K1940.0801	stainless steel	6,52	9-12	8	16,3	1	1,05
K1940.1001	stainless steel	8,32	11-15	10	20,4	1,2	1,25
K1940.1201	stainless steel	10,45	13-18	12	23,4	1,3	1,35