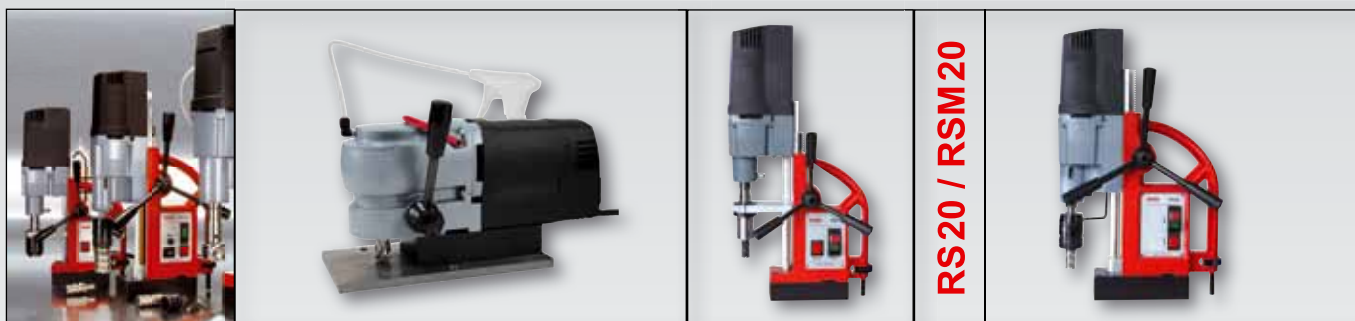




# MAGNETIC-STAND DRILLING MACHINES



## Comparison of technical data RS4 - RS40e - The New „RS“ GENERATION!



Technical data	RS4	RS5e	RS 10	RS20	RSM20
Mag. clamping force:	10.000 N	10.000 N	10.000 N	13.000 N	20.800 N
Power consumption:	1.120 Watt	1.200 Watt	1.120 Watt	1.200 Watt	1.200 Watt
Gears:	1 gear	1 gear	1 gear	2 gear	2 gear
Rotation speeds r.p.m.:	450 r.p.m.	140 - 350 r.p.m.	450 r.p.m.	250 / 450 r.p.m.	250 / 450 r.p.m.
Electrical rotation controller:	No	Yes	No	No	No
Torque controller:	No	No	No	No	No
Right-left-handed rotation:	No	No	No	No	No
Height:	182,0 mm	182,0 mm	413,0 - 548,0 mm	408,0 - 598,0 mm	408,0 - 598,0 mm
Width:	160,0 x 80,0 mm	160,0 x 80,0 mm	160,0 x 80,0 mm	190,0 x 90,0 mm	220,0 x 110,0 mm
Weight:	11,0 kg	11,0 kg	13,0 kg	18,0 kg	26,0 kg
Lift:	38,0 mm	38,0 mm	135,0 mm	190,0 mm	190,0 mm
Adapter:	Weldon shank 19,0 mm	Weldon shank 19,0 mm	Weldon shank 19,0 mm	Morse taper MT 2	Morse taper MT 2
Core drills:	Ø 12,0 - 25,0 mm	Ø 12,0 - 35,0 mm	Ø 12,0 - 35,0 mm	Ø 12,0 - 60,0 mm	Ø 12,0 - 60,0 mm
Drill chuck:	-	-	1,0 - 13,0 mm	3,0 - 16,0 mm	3,0 - 16,0 mm
Twist drills DIN 338:	-	-	max. Ø 10,0 mm	max. Ø 13,0 mm	max. Ø 13,0 mm
Twist drills DIN 1897:	-	-	max. Ø 13,0 mm	max. Ø 16,0 mm	max. Ø 16,0 mm
Twist drills DIN 345:	-	-	-	max. Ø 20,0 mm	max. Ø 20,0 mm
Cutting depth core drills:	30,0 mm	30,0 mm	30,0 mm	30,0 / 50,0 mm	30,0 / 50,0 mm
Input voltage:	220 - 240 V	220 - 240 V	220 - 240 V	220 - 240 V	220 - 240 V
Conformity with:	VDE, CEE	VDE, CEE	VDE, CEE	VDE, CEE	VDE, CEE
Moveable field:	No	No	No	No	No
Turn field:	No	No	No	No	No
Thread cutting:	No	No	No	No	No
Extra support:	No	No	Yes	Yes	Yes

Accessories:	RS4	RS5e	RS 10	RS20	RSM20
	Carrying bag incl. 2 plastic boxes	Carrying bag incl. 2 plastic boxes	Plastic tool case	Plastic tool case	Plastic tool case
	Allen key	Allen key	Allen key	Drill drift	Drill drift
	Safety belt	Safety belt	Safety belt	Safety belt	Safety belt
	-	-	Drill chuck 1,0 - 13,0 mm	Drill chuck 3,0 - 16,0 mm	Drill chuck 3,0 - 16,0 mm
	-	-	Drill chuck adapter	Spike cone MT 2 / B16	Spike cone MT 2 / B16
	Cooling bottle + holder	Cooling bottle + holder	Cooling bottle + holder	Cooling bottle + holder	Cooling bottle + holder
	Operating instructions	Operating instructions	Operating instructions	Operating instructions	Operating instructions

Article no.	108 007 RS	108 006 RS	108 001 RS	108 002 RS	108 002 RSM



RS25e	RSM25e	RS30e	RSM30e	RS40e	RSM40e
13.000 N	20.800 N	13.000 N	20.800 N	13.000 N	20.800 N
1.200 Watt	1.200 Watt	1.840 Watt	1.840 Watt	1.840 Watt	1.840 Watt
2 gear	2 gear	2 gear	2 gear	2 gear	2 gear
100-250 / 180-450 r.p.m.	100-250 / 180-450 r.p.m.	60-140 / 200-470 r.p.m.	60-140 / 200-470 r.p.m.	60-140 / 200-470 r.p.m.	60-140 / 200-470 r.p.m.
Yes	Yes	Yes	Yes	Yes	Yes
No	No	No	No	Yes	Yes
Yes	Yes	No	No	Yes	Yes
408,0 - 598,0 mm	408,0 - 598,0 mm	450,0 - 640,0 mm	450,0 - 640,0 mm	450,0 - 640,0 mm	450,0 - 640,0 mm
190,0 x 90,0 mm	220,0 x 110,0 mm	190,0 x 90,0 mm	220,0 x 110,0 mm	190,0 x 90,0 mm	220,0 x 110,0 mm
18 kg	26 kg	24 kg	30 kg	24 kg	30 kg
190,0 mm	190,0 mm	190,0 mm	190,0 mm	190,0 mm	190,0 mm
Morse taper MT 2	Morse taper MT 2	Morse taper MT 3	Morse taper MT 3	Morse taper MT 3	Morse taper MT 3
Ø 12,0 - 60,0 mm	Ø 12,0 - 60,0 mm	Ø 12,0 - 100,0 mm	Ø 12,0 - 100,0 mm	Ø 12,0 - 100,0 mm	Ø 12,0 - 100,0 mm
3,0 - 16,0 mm	3,0 - 16,0 mm	3,0 - 16,0 mm	3,0 - 16,0 mm	3,0 - 16,0 mm	3,0 - 16,0 mm
max. Ø 13,0 mm	max. Ø 13,0 mm	max. Ø 16,0 mm	max. Ø 16,0 mm	max. Ø 16,0 mm	max. Ø 16,0 mm
max. Ø 16,0 mm	max. Ø 16,0 mm	max. Ø 16,0 mm	max. Ø 16,0 mm	max. Ø 16,0 mm	max. Ø 16,0 mm
max. Ø 20,0 mm	max. Ø 20,0 mm	max. Ø 31,5 mm	max. Ø 31,5 mm	max. Ø 31,5 mm	max. Ø 31,5 mm
30,0 / 50,0 mm	30,0 / 50,0 mm	30,0 / 50,0 mm	30,0 / 50,0 mm	30,0 / 50,0 mm	30,0 / 50,0 mm
220 - 240 V	220 - 240 V	220 - 240 V	220 - 240 V	220 - 240 V	220 - 240 V
VDE, CEE	VDE, CEE	VDE, CEE	VDE, CEE	VDE, CEE	VDE, CEE
No	No	+/- 7,5 mm	+/- 7,5 mm	+/- 7,5 mm	+/- 7,5 mm
No	No	+/- 20°	+/- 20°	+/- 20°	+/- 20°
Yes	Yes	No	No	Yes	Yes
Yes	Yes	Yes	Yes	Yes	Yes

RS25e	RSM25e	RS30e	RSM30e	RS40e	RSM40e
Plastic tool case	Plastic tool case	Plastic tool case	Plastic tool case	Plastic tool case	Plastic tool case
Drill drift	Drill drift	Drill drift	Drill drift	Drill drift	Drill drift
Safety belt	Safety belt	Safety belt	Safety belt	Safety belt	Safety belt
Drill chuck 3,0 - 16,0 mm	Drill chuck 3,0 - 16,0 mm	Drill chuck 3,0 - 16,0 mm	Drill chuck 3,0 - 16,0 mm	Drill chuck 3,0 - 16,0 mm	Drill chuck 3,0 - 16,0 mm
Spike cone MT 2 / B16	Spike cone MT 2 / B16	Spike cone MT 3 / B16	Spike cone MT 3 / B16	Spike cone MT 3 / B16	Spike cone MT 3 / B16
Cooling bottle + holder	Cooling bottle + holder	Cooling bottle + holder	Cooling bottle + holder	Cooling bottle + holder	Cooling bottle + holder
Operating instructions	Operating instructions	Operating instructions	Operating instructions	Operating instructions	Operating instructions

108 005 RS	108 005 RSM	108 003 RS	108 003 RSM	108 004 RS	108 004 RSM
------------	-------------	------------	-------------	------------	-------------

## Angle core drilling machine RS4

Technical data:	
Magnetic clamping force:	<b>10.000 N</b>
Total Power consumption:	<b>1.120 Watt</b>
Rotation speeds:	<b>450 r.p.m.</b>
Height:	<b>182,0 mm</b>
Lift:	<b>38,0 mm</b>
Length and width:	<b>160,0 x 80,0 mm</b>
Weight:	<b>11,0 kg</b>
Adapter: (3/4")	<b>Weldon shank 19,0 mm (3/4")</b>
<b>Drilling range:</b>	
Core drills:	<b>up to Ø 25,0 mm</b>
Cutting depth core drills:	<b>30,0 mm</b>
Input voltage:	<b>230 Volt</b>
Conformity with:	<b>VDE, CEE</b>

Accessories per machine:
1 Carrying bag incl. 2 plastic boxes
1 Ejector pin Ø 6,35 x 70,0 mm article no. 108 344
1 Cooling bottle article no. 108 101
1 Safety belt
1 Operating instructions

Description	Article no.
Angle core drilling machine <b>RS4</b>	<b>108 007 RS</b>

## Angle core drilling machine RS5e

Technical data:	
Magnetic clamping force:	<b>10.000 N</b>
Total Power consumption:	<b>1.200 Watt</b>
Rotation speeds:	<b>140 - 350 r.p.m.</b>
Height:	<b>182,0 mm</b>
Lift:	<b>38,0 mm</b>
Length and width:	<b>160,0 x 80,0 mm</b>
Weight:	<b>11,0 kg</b>
Adapter: (3/4")	<b>Weldon shank 19,0 mm (3/4")</b>
<b>Drilling range:</b>	
Core drills:	<b>up to Ø 35,0 mm</b>
Cutting depth core drills:	<b>30,0 mm</b>
Input voltage:	<b>230 Volt</b>
Conformity with:	<b>VDE, CEE</b>

Accessories per machine:
1 Carrying bag incl. 2 plastic boxes
1 Ejector pin Ø 6,35 x 70,0 mm article no. 108 344
1 Cooling bottle article no. 108 101
1 Safety belt
1 Operating instructions

Description	Article no.
Angle core drilling machine <b>RS5e</b>	<b>108 006 RS</b>

without arbor



**MADE IN  
Germany**





## RS4 / RS5e

The magnetic-stand makes horizontal, vertical or overhead work possible.

The machine's compact, light construction makes it extremely versatile and easily portable.

An electronic protective switch prevents inadvertent operation until the magnet has been switched on. The machine is equipped with a safety cutoff if the magnet fails due to outside influences.

Ideal for use in steel construction, industrial building, engineering, terotechnology, shipbuilding, bridge construction, crane building and assembly work in metalworking shops.

## ULTRA compact, light and super-powerful!

The "new angle core drilling machine RS4" by RUKO ensures optimal use in very cramped spaces, allowing it to be employed e.g. in iron girders, narrow steel structures or lorry frames.

The light weight of just 10,0 kg and the ergonomically formed handle make it easier to work with the machine and to transport it.



## The "RS5e" in summary:

- despite its small overall height it is possible to use core drills with a cutting depth of 30,0 mm.
- the robust structure of the machine ensures good durability.
- the cast aluminium gearbox casing contributes to the light weight whilst ensuring the necessary stability.
- the conical gear wheels with helical tooth pattern, which are used in the angular gear, ensure smooth operation and good durability.
- the high precision bearings are generously sized so that the axial and radial forces can be securely absorbed by the work spindle with its 5 bearings.
- the precise spline duct of the work spindle guarantee continuing good load transmission to the drilling tool.
- the interior tool cooling system ensures optimal cooling of the tool and thus long service life.
- the engine speed electronics allow the user to adjust the speed to the tool diameter.

**Defined feed of cooling lubricant:**

Internal cooling guarantees a clean cut and long service life of the tools.

**High-performance motor:**

For core drills up to  $\varnothing$  35,0 mm. (RS5e)

**Magnet:**

10.000 N

Optimal for use in cramped spaces.

**Speed controller:**

Continuously variable **speed controller** for optimum adjustment of cutting speed. (only RS5e)

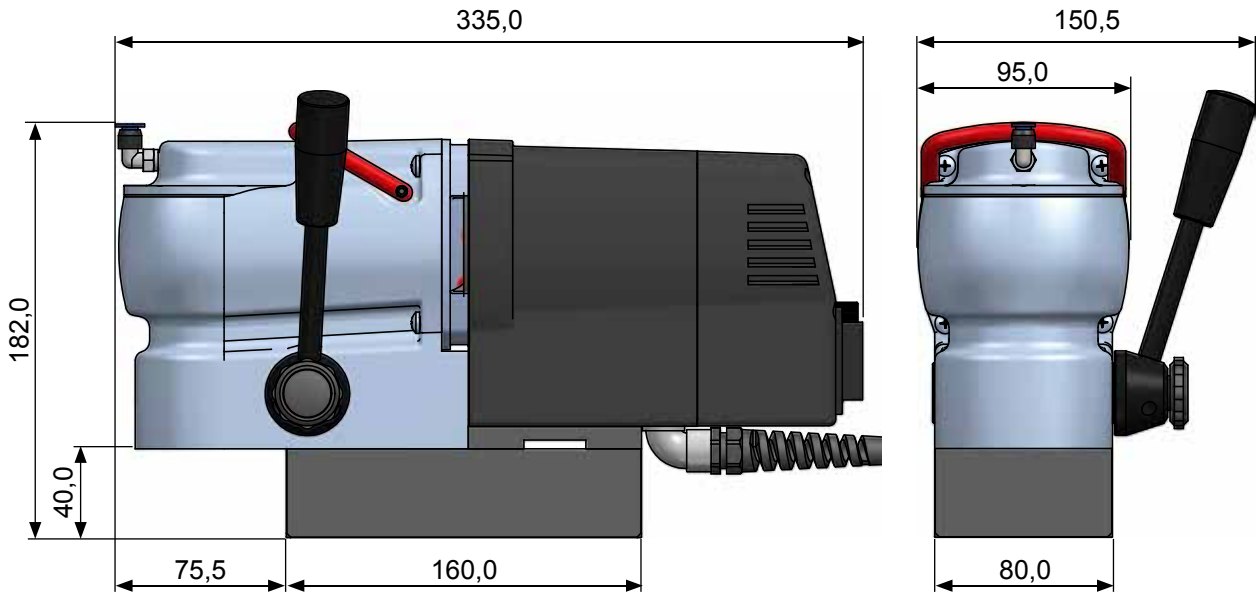


**Handle:**

Suitable for left or right hand operation. **Handle** can be mounted easily on the right or the left.

Technical Measures

**RS4 / RS5e**



**RS4 / RS5e**



Vacuum plate Art. no. 108 113



Pipe clamping device 500 Art. no. 108 114

HSS  
30,0 mm  
Weldon shank



HSS Co **5ComPACT**  
30,0 mm  
Weldon shank



TC  
25,0 mm  
Weldon shank



HSS-TiAlN  
30,0 mm  
Weldon shank



HSS  
30,0 mm  
Weldon shank

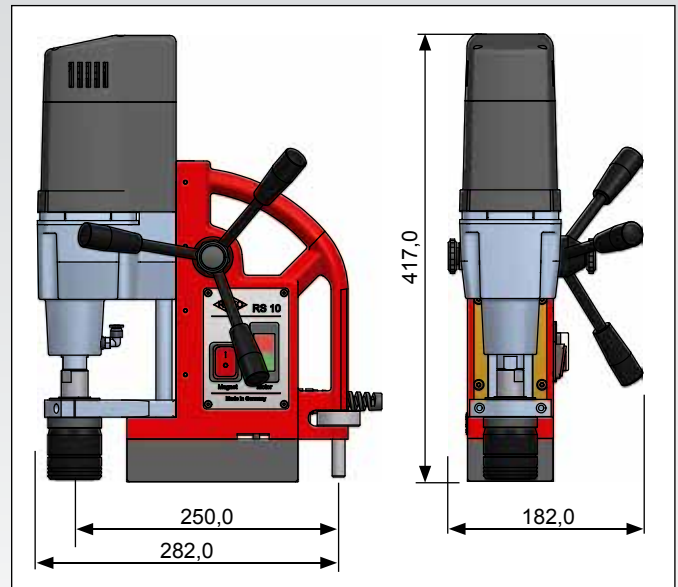






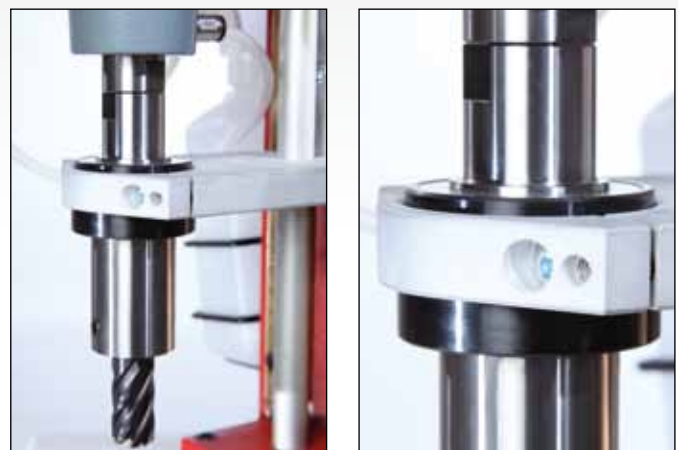
## Magnetic-stand drilling machine RS 10

Technical data:	
Magnetic clamping force:	<b>10.000 N</b>
Total Power consumption:	<b>1.120 Watt</b>
Rotation speeds:	<b>450 r.p.m</b>
Height:	<b>413,0 - 548,0 mm</b>
Lift:	<b>135,0 mm</b>
Length and width:	<b>160,0 x 80,0 mm</b>
Weight:	<b>13,0 kg</b>
Adapter:	<b>Weldon shank 19,0 mm (3/4")</b>
Transmission opening:	<b>M14</b>
Drill chuck:	<b>1,0 - 13,0 mm with adapter</b>
<b>Drilling range:</b>	
Twist drills (DIN 338):	<b>max. Ø 10,0 mm</b>
Twist drills (DIN 1897):	<b>max. Ø 13,0 mm</b>
Core drills:	<b>up to Ø 35,0 mm</b>
Cutting depth core drills:	<b>30,0 mm</b>
Input voltage:	<b>230 V</b>
Conformity with:	<b>VDE, CEE</b>



Accessories:
1 Plastic tool case
1 Drill chuck 1,0 - 13,0 mm article no. 108 116
1 Adapter for drill chuck article no. 108 115
1 Cooling bottle including holding device article no. 108 101
1 Allen key for Weldon shank
1 Safety belt
1 Operating instructions
1 With arbor article no. 108 159 for core drills with Weldon shank

Description	Article no.
Magnetic-stand drilling machine <b>RS 10</b>	<b>108 001 RS</b>



### Magnetic-stand drilling machines RS 10, RS 20, RS 25e, RS 30e, RS 40e

The magnetic-stand makes horizontal, vertical or overhead work possible.

The machine's compact, light construction makes it extremely versatile and easily portable. The core drills in the machine can easily be replaced by twist drills, thus allowing bottoming.

An electronic protective switch prevents inadvertent operation until the magnet has been switched on. The machine is equipped with a safety cutoff if the magnet fails due to outside influences.

Ideal for use in steel construction, industrial building, engineering, terotechnology, shipbuilding, bridge construction, crane building and assembly work in metalworking shops.

Speeds and cutting speeds are ideally matched to our machines. Torque control in the RS40e.

Very rugged

**plastic housing.**

**High-performance motor:**

For core drills up to  $\varnothing$  35,0 mm.

**Transmission:**

hardened precision gear teeth.

**Ergonomic handles**

for easy portability.

Suitable for left or right hand operation.

**Handle** can be mounted easily on the right or the left.

**Removable device**

enables the use of further arbors.

**Built-in electronics**

impervious to supply voltage fluctuations and other disturbing influences.

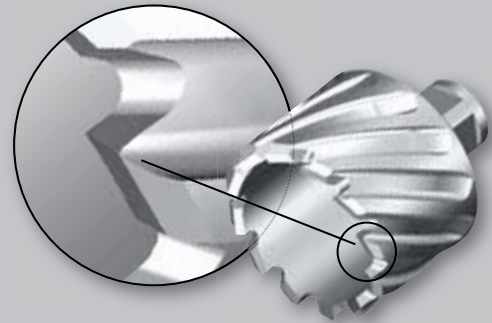


## Magnetic-stand drilling machines - OVERVIEW WITHIN A SHORT TIME !

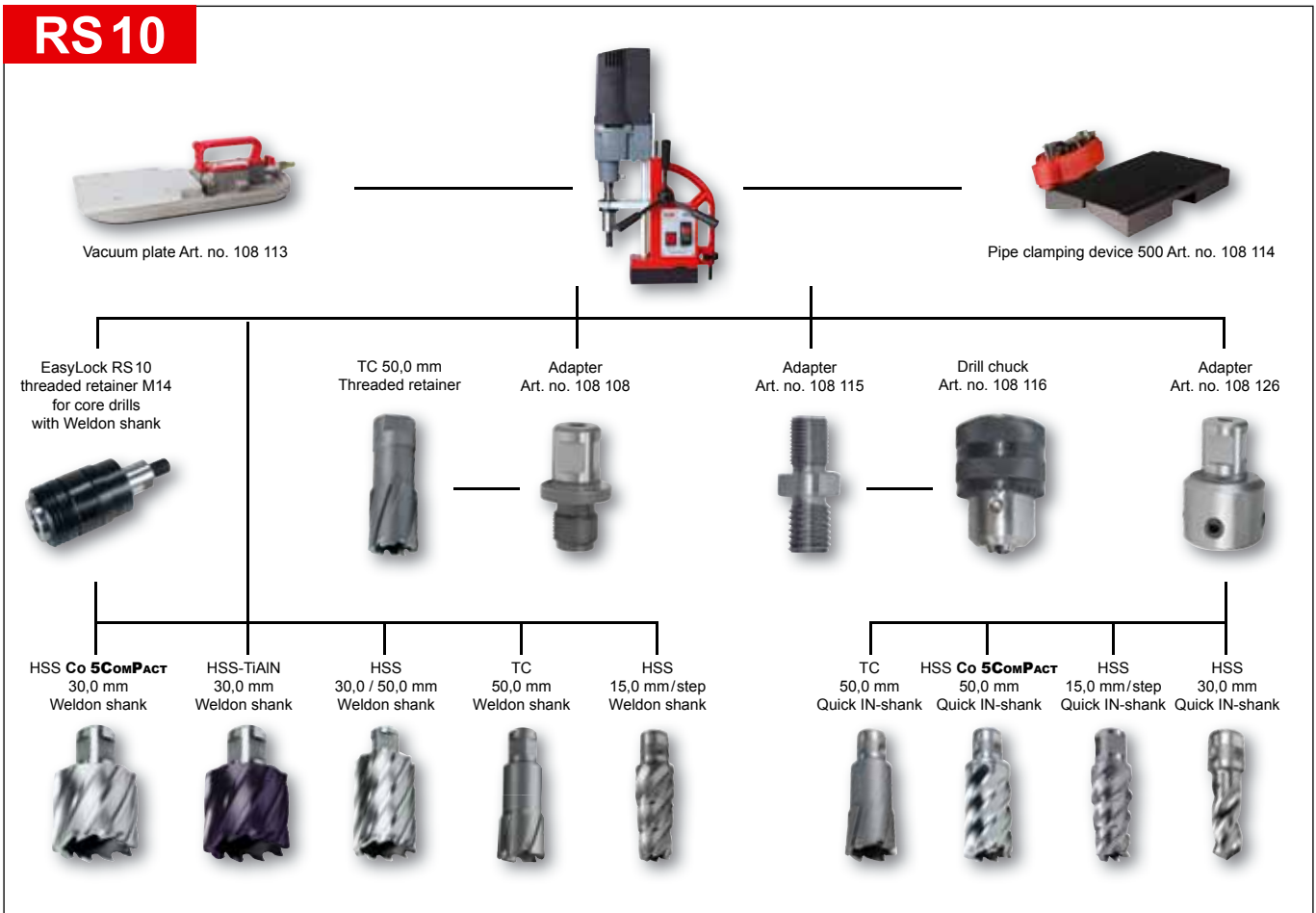
- Motor performance was the most powerful in the field of core drilling technology.
- Robust electronics, high-quality gearbox with hardened precision gear teeth.
- Handle can be mounted on either side for left or right hand operation.
- The manually adjustable extra support boosts the attraction of the magnet, so that a greater drilling force can be used to drill into the material.
- Fully brass dovetail design.
- A precision rack and pinion drive delivers an immediate drilling response – direct transfer from the handle over the gearing to the stroking motion of the machine.
- The increased cutting performance with optimized attraction of the magnet is especially advantageous for thinner materials (from 5,0 mm).
- Inner cable routing – contamination or damage is no longer possible.
- Safety cutoff of the motor in case the magnet fails due to external influences.

## The cutting edge is the important thing ...

1. Optimised cutting edge geometry for in-creased cutting performances and reduced cutting forces.
2. The effective cutting angles are designed for universal use in various sorts of steel.
3. Improved removal of chips thanks to U-shaped recesses. The specific geometry of the recess reduces the thermal load on the HSS core drill as the heat created in cutting is removed with the chips to a very great extent.
4. Reduction of the friction between the HSS core drill and the work-piece thanks to optimised spiral-shaped guide chamfers.



## RS 10



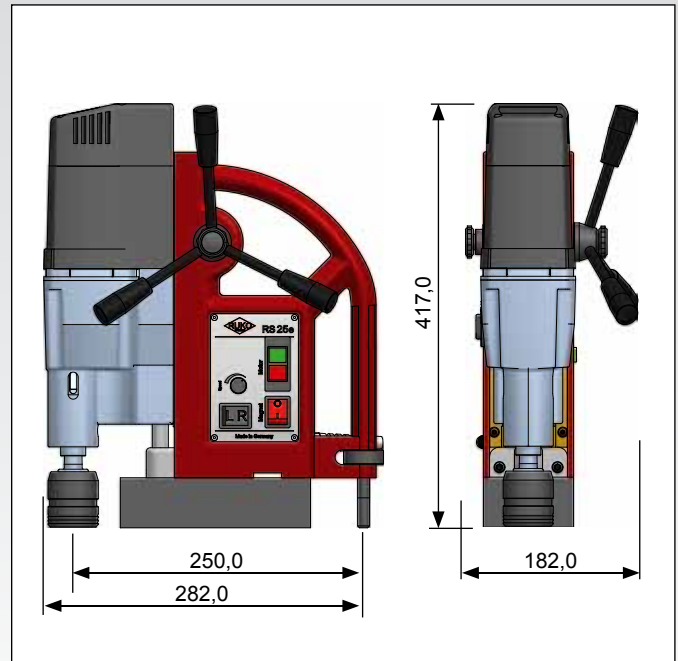


**NEW**  
1 arbor holder  
included!



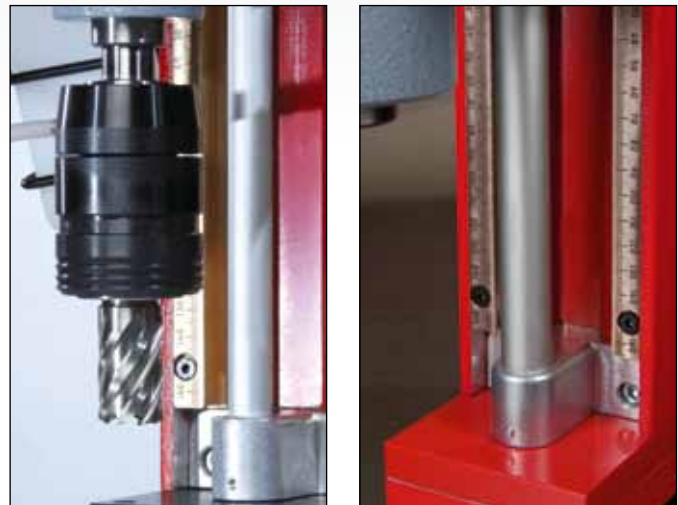
## Magnetic-stand drilling machine RS 20 / RSM 20

Technical data:	
Magnetic clamping force RS 20:	13.000 N
Magnetic clamping force RSM 20:	20.800 N
Total Power consumption:	1.200 Watt
Rotation speeds:	1st gear: 250 r.p.m. 2nd gear: 450 r.p.m.
Height:	408,0 - 598,0 mm
Lift:	190,0 mm
Length and width RS 20:	190,0 x 90,0 mm
Length and width RSM 20:	220,0 x 110,0 mm
Weight RS 20:	18,0 kg
Weight RSM 20:	26,0 kg
Adapter:	Morse taper MT 2
Drill chuck:	3,0 - 16,0 mm
<b>Drilling range:</b>	
Twist drills (DIN 338):	max. Ø 13,0 mm
Twist drills (DIN 1897):	max. Ø 16,0 mm
Twist drills (DIN 345):	max. Ø 20,0 mm
Core drills:	up to Ø 60,0 mm
Cutting depth core drills:	30,0 / 50,0 mm
Input voltage:	230 V
Conformity with:	VDE, CEE



Accessories:	
1 Plastic tool case	
1 Drill drift	
1 Drill chuck 3,0 - 16,0 mm article no. 108 117	
1 Spike cone MT 2 / B16 article no. 108 120	
1 Cooling bottle including holding device article no. 108 101	
1 Safety belt	
1 Operating instructions	
1 With arbor article no. 108 315 for core drills with Weldon shank	

Description	Article no.
Magnetic-stand drilling machine <b>RS 20</b>	<b>108 002 RS</b>
Magnetic-stand drilling machine <b>RSM 20</b>	<b>108 002 RSM</b>



### Everything from a single source – naturally, from RUKO.

RUKO offers an impressive line of metal core drillers. Our newest generation core drilling machines and our internally developed and produced assortment of core drills gives you ideally coordinated systems.

RUKO – everything from a single source !

Our core drill assortment in TC, HSS and HSS Co5ComPact will impress you. RUKO covers a diameter range of Ø 12,0 - 60,0 mm and in certain models even up to Ø 80,0 mm.

Our core drills are available with 19,0 mm Weldon shank, M18 x 6 P1.5 threaded tool holder, 18,0 mm Quick IN-shank and 19,0 mm Nitto-shank. And as always, it's the little things that really round out a very good program.

**High-performance motor:**

For core drills up to  $\varnothing$  60,0 mm.

**2-speed gearbox**

with **hardened precision gear teeth** can be operated with **ergonomic rotary switch**.

**Extra support:**

The manually adjustable **extra support** boosts the attraction of the magnet.

**Ergonomic positioning**

of the **motor and the solenoid switch**.

**Robust, durable, and lighted**

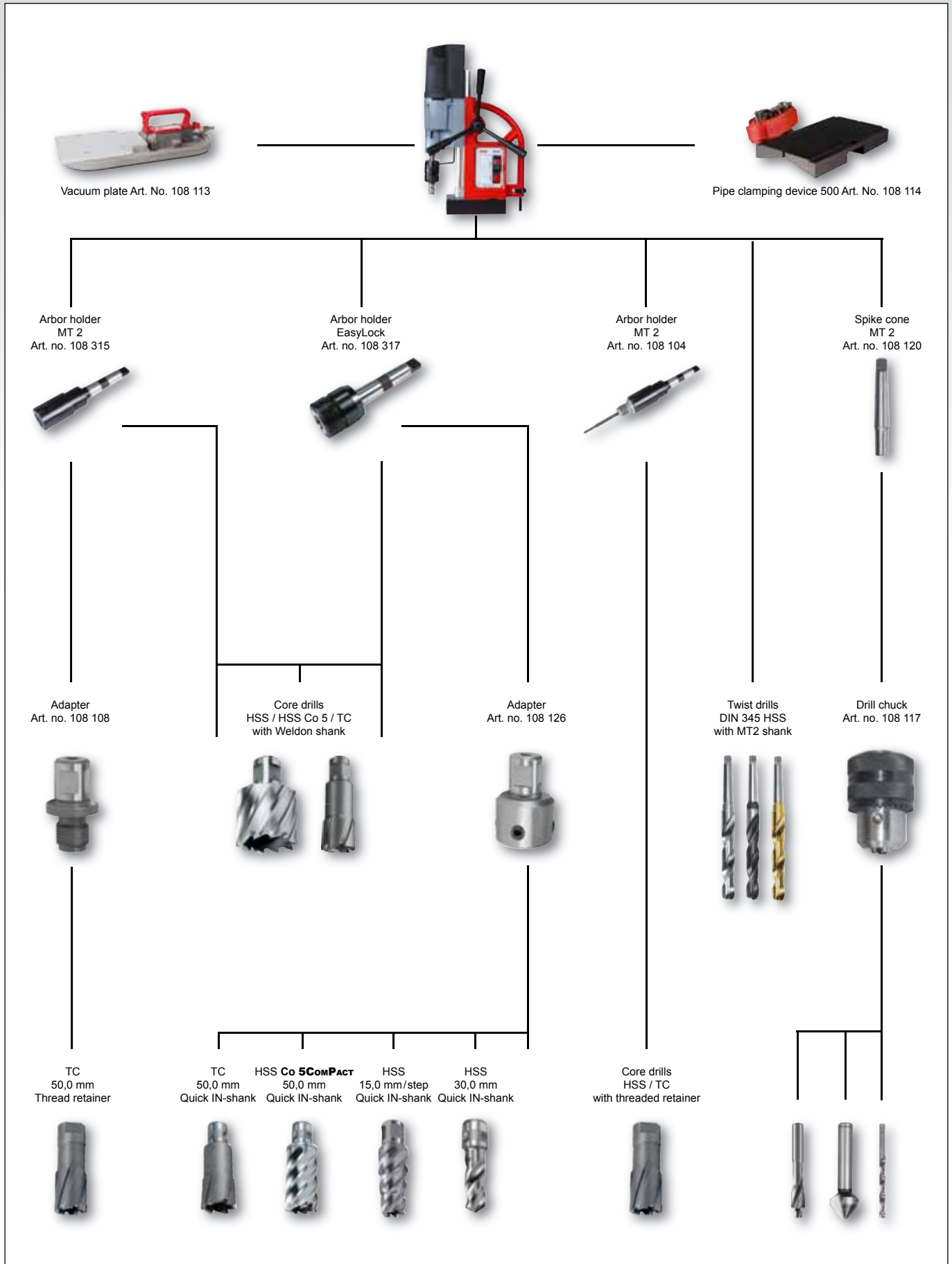
**quality switches.**

**Magnet:**

Available with 2 versions of magnet.



Magnetic-stand drilling machine RS20 / RSM20





**NEW**  
1 arbor holder  
included!



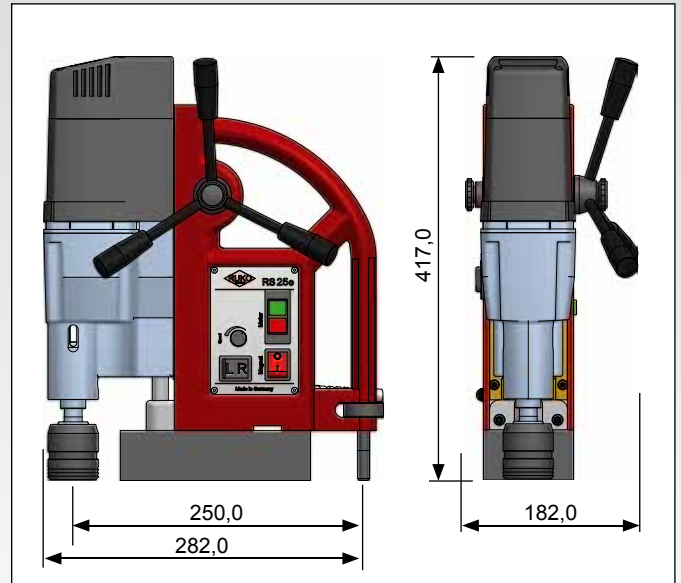
## Magnetic-stand drilling machine RS25e / RSM25e

Like Magnetic-stand drilling machine RS20 in addition it works clockwise and counter-clockwise and with electronic controlled speed.

Technical data:	
Magnetic clamping force RS 25e:	<b>13.000 N</b>
Magnetic clamping force RSM 25e:	<b>20.800 N</b>
Total Power consumption:	<b>1.200 Watt</b>
Rotation speeds:	<b>1st gear: 100 - 250 r.p.m.</b> <b>2nd gear: 180 - 450 r.p.m.</b>
Height:	<b>408,0 - 598,0 mm</b>
Lift:	<b>190,0 mm</b>
Length and width RS 25e:	<b>190,0 x 90,0 mm</b>
Length and width RSM 25e:	<b>220,0 x 110,0 mm</b>
Weight RS 25e:	<b>18,0 kg</b>
Weight RSM 25e:	<b>26,0 kg</b>
Adapter:	<b>Morse taper MT 2</b>
Drill chuck:	<b>3,0 - 16,0 mm</b>
<b>Drilling range:</b>	
Twist drills (DIN 338):	<b>max. Ø 13,0 mm</b>
Twist drills (DIN 1897):	<b>max. Ø 16,0 mm</b>
Twist drills (DIN 345):	<b>max. Ø 20,0 mm</b>
Core drills:	<b>up to Ø 60,0 mm</b>
Cutting depth core drills:	<b>30,0 / 50,0 mm</b>
Thread cutting:	<b>up to M20</b>
Input voltage:	<b>230 V</b>
Conformity with:	<b>VDE, CEE</b>

Accessories:	
1 Plastic tool case	
1 Drill drift	
1 Drill chuck 3,0 - 16,0 mm article no. 108 117	
1 Spike cone MT 2 / B16 article no. 108 120	
1 Cooling bottle including holding device article no. 108 101	
1 Safety belt	
1 Operating instructions	
1 With arbor article no. 108 315 for core drills with Weldon shank	

Description	Article no.
Magnetic-stand drilling machine <b>RS25e</b>	<b>108 005 RS</b>
Magnetic-stand drilling machine <b>RSM 25e</b>	<b>108 005 RSM</b>



### The little „e“ that makes a big difference!

With our RS5e, RS25e, RS30e and RS40e, we offer you the most powerful machines in the RUKO line of core drilling machines. These strong motors achieve maximum performance for all applications in this area.

#### The „e“- models offer you:

- a powerful motor with full wave electronics for speed control.
- electronic control of motor torque (only the RS40e).
- a “soft start” of the machine – easier on machine and tools (only the RS30e + RS40e).
- mechanical slip clutch for overload protection of motor and gearbox (only the RS30e + RS40e).

Extremely long service life due to

**internal cable routing.**

Contamination or damage is no longer possible!

**High-performance motor:**

For core drills up to Ø 60,0 mm.

**Extra support:**

The manually adjustable **extra support** boosts the attraction of the magnet.

**2-speed gearbox**

with **hardened precision gear teeth** can be operated with **ergonomic rotary switch**.

Ergonomic positioning

of the **motor and the solenoid switch**.

**Speed controller:**

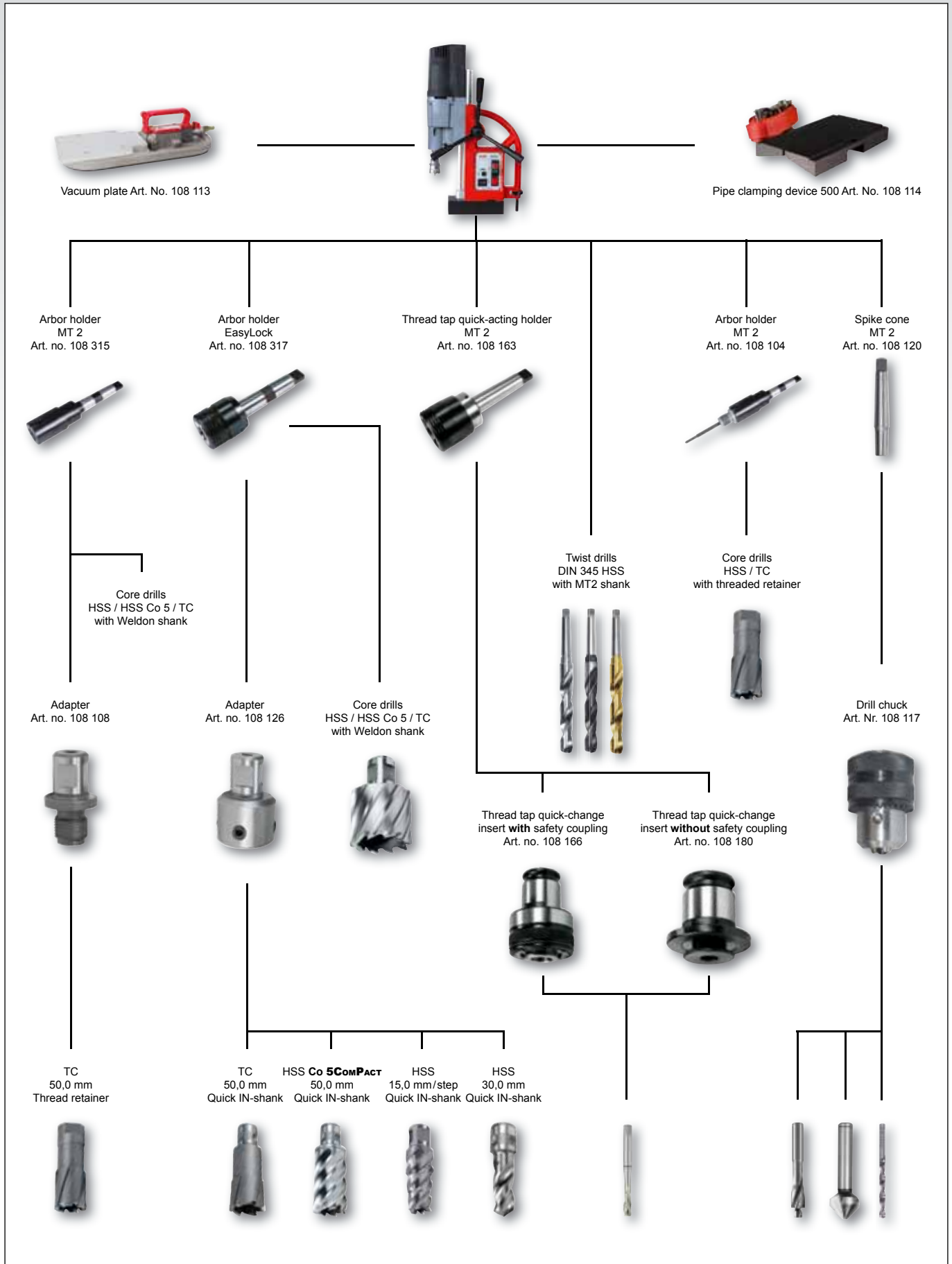
Continuously variable **speed controller** for optimum adjustment of cutting speed.

**Right-/ left-handed rotation:**

reversible for threaded cutters up to M 30.



Magnetic-stand drilling machine RS25e / RSM25e



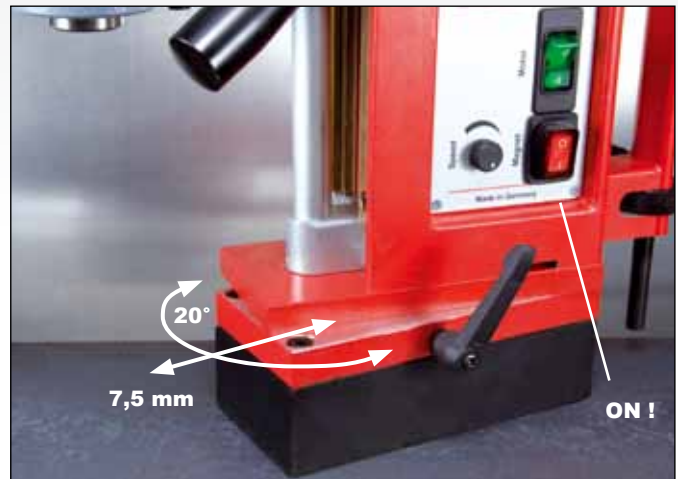
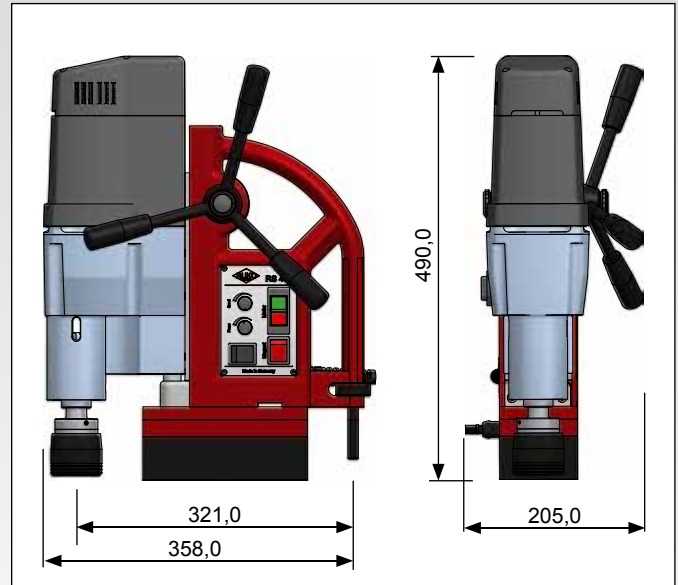


**NEW**  
1 arbor holder  
included!



## Magnetic-stand drilling machine RS 30e / RSM 30e

Technical data:	
Magnetic clamping force RS30e:	<b>13.000 N</b>
Magnetic clamping force RSM30e:	<b>20.800 N</b>
Total Power consumption:	<b>1.840 Watt</b>
Rotation speeds:	<b>1st gear: 60 - 140 r.p.m.</b> <b>2nd gear: 200 - 470 r.p.m</b>
Height:	<b>450,0 - 640,0 mm</b>
Lift:	<b>190,0 mm</b>
Length and width RS30e:	<b>190,0 x 90,0 mm</b>
Length and width RSM30e:	<b>220,0 x 110,0 mm</b>
Weight RS30e:	<b>24,0 kg</b>
Weight RSM30e:	<b>30,0 kg</b>
Adapter:	<b>Morse taper MT 3</b>
Drill chuck:	<b>3,0 - 16,0 mm</b>
<b>Drilling range:</b>	
Twist drills (DIN 338):	<b>max. Ø 16,0 mm</b>
Twist drills (DIN 345):	<b>max. Ø 31,5 mm</b>
Core drills:	<b>up to Ø 100,0 mm</b>
Cutting depth core drills:	<b>30,0 / 50,0 mm</b>
<b>Auxiliary controller:</b>	
Turn field:	<b>+/- 20°</b>
Moveable field:	<b>+/- 7,5 mm</b>
Input voltage:	<b>230 V</b>
Conformity with:	<b>VDE, CEE</b>



Accessories:
<ul style="list-style-type: none"> <li>1 Plastic tool case</li> <li>1 Drill drift</li> <li>1 Drill chuck 3,0 - 16,0 mm article no. 108 117</li> <li>1 Spike cone MT 3 / B16 article no. 108 121</li> <li>1 Cooling bottle including holding device article no. 108 101</li> <li>1 Safety belt</li> <li>1 Operating instructions</li> <li>1 With arbor article no. 108 316 for core drills with Weldon shank</li> </ul>

Description	Article no.
Magnetic-stand drilling machine <b>RS30e</b>	<b>108 003 RS</b>
Magnetic-stand drilling machine <b>RSM30e</b>	<b>108 003 RSM</b>



### Save in the right places:

As a manufacturer of core drilling machines, we know what is important to our customers. The RUKO core drills offer huge savings in both cost and time.

Since the core drills cut only a ring and not the entire inner diameter, like twist drills do, they are much faster. Compared to twist drills, core drills have a drilling time that is up to 10 times shorter.

Core drills do not just cut the face width, but eject the inner core. Reduced energy consumption and less wear result in long service life. Centering, pre-drilling and drilling out are eliminated.

**Full wave electronics:**

for speed and torque control.

**High-performance motor:**

For core drills up to Ø 100,0 mm.

**2-speed gearbox**

with **hardened precision gear teeth** can be operated with **ergonomic rotary switch**.

**Extra support:**

The manually adjustable **extra support** boosts the attraction of the magnet.

**Built-in electronics**

impervious to supply voltage fluctuations and other disturbing influences.

**Speed controller:**

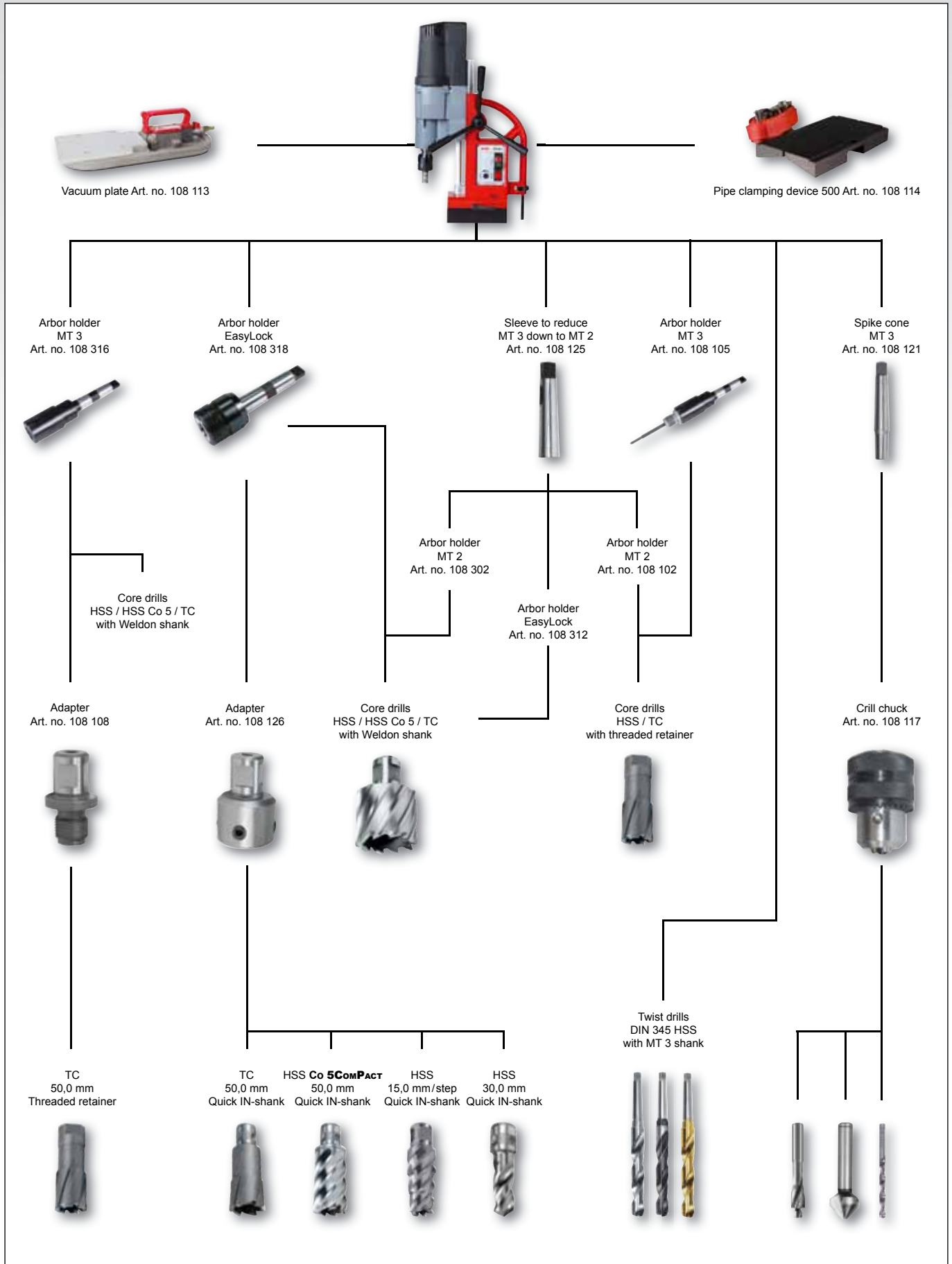
Continuously variable **speed controller** for optimum adjustment of cutting speed.

**Auxiliary controller:**

The RUKO **auxiliary controller** enables positioning of 20° and 15,0 mm length with a fixed magnet. Advantage: no tilting of the machine on the magnet. The auxiliary controller is not necessary from an attraction of 20.800 N.



Magnetic-stand drilling machine RS 30e / RSM 30e







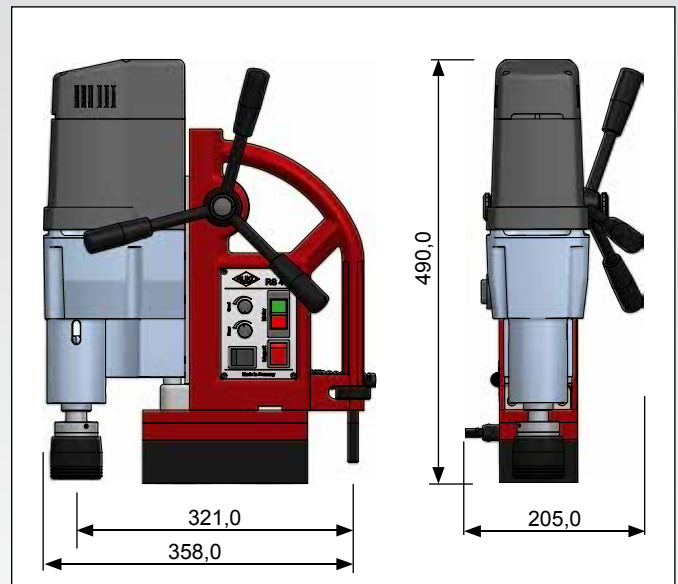
## Magnetic-stand drilling machine RS40e / RSM40e

Like Magnetic-stand drilling machine RS30e in addition it works clockwise and counter-clockwise and with electronic controlled speed.

Technical data:	
Magnetic clamping force RS40e:	13.000 N
Magnetic clamping force RSM40e:	20.800 N
Total Power consumption:	1.840 Watt
Rotation speeds:	1st gear: 60 - 140 r.p.m. 2nd gear: 200 - 470 r.p.m
Height:	450,0 - 640,0 mm
Lift:	190,0 mm
Length and width RS40e:	190,0 x 90,0 mm
Length and width RSM40e:	220,0 x 110,0 mm
Weight RS40e:	24,0 kg
Weight RSM40e:	30,0 kg
Adapter:	Morse taper MT 3
Drill chuck:	3,0 - 16,0 mm
<b>Drilling range:</b>	
Twist drills (DIN 338):	max. Ø 16,0 mm
Twist drills (DIN 345):	max. Ø 31,5 mm
Core drills:	up to Ø 100,0 mm
Cutting depth core drills:	30,0 / 50,0 mm
Thread cutting:	up to M 30
<b>Auxiliary controller:</b>	
Turn field:	+/- 20°
Moveable field:	+/- 7,5 mm
Input voltage:	230 V
Conformity with:	VDE, CEE

Accessories:	
1 Plastic tool case	
1 Drill drift	
1 Drill chuck 3,0 - 16,0 mm article no. 108 117	
1 Spike cone MT 3 / B16 article no. 108 121	
1 Cooling bottle including holding device article no. 108 101	
1 Safety belt	
1 Operating instructions	
1 with arbor article no. 108 316 for core drills with Weldon shank	

Description	Article no.
Magnetic-stand drilling machine <b>RS40e</b>	<b>108 004 RS</b>
Magnetic-stand drilling machine <b>RSM40e</b>	<b>108 004 RSM</b>



### Development and Design

The newest generation of RUKO core drilling machines was developed and manufactured with attention to a variety of considerations, such as ergonomics, design and quality drive systems for high performance.

We do all this to ensure that we can offer our customers the most up-to-date devices with maximum cost-effectiveness.

The magnet was developed based on the latest technological advances. The housing was designed and optimized using simulation of mechanical and dynamic stresses (FEA = Finite Element Analysis).

The result was a new, weight-optimized all-aluminum housing with an ergonomic, compact and modern design that ensures maximum portability for any use.

During the development process our main focus was on achieving a long service life of our machines, as well as the greatest possible benefits for the user.

#### Full wave electronics:

for speed and torque control.

#### High-performance motor:

For core drills up to  $\varnothing$  100,0 mm.

#### 2-speed gearbox

with **hardened precision gear teeth** can be operated with **ergonomic rotary switch**.

#### Extra support:

The manually adjustable **extra support** boosts the attraction of the magnet.

#### Speed controller:

Continuously variable **speed controller** for optimum adjustment of cutting speed.

#### Power-Controller :

Continuously variable **Power-Controller** for adjustment of torque.

#### Right-/ left-handed rotation:

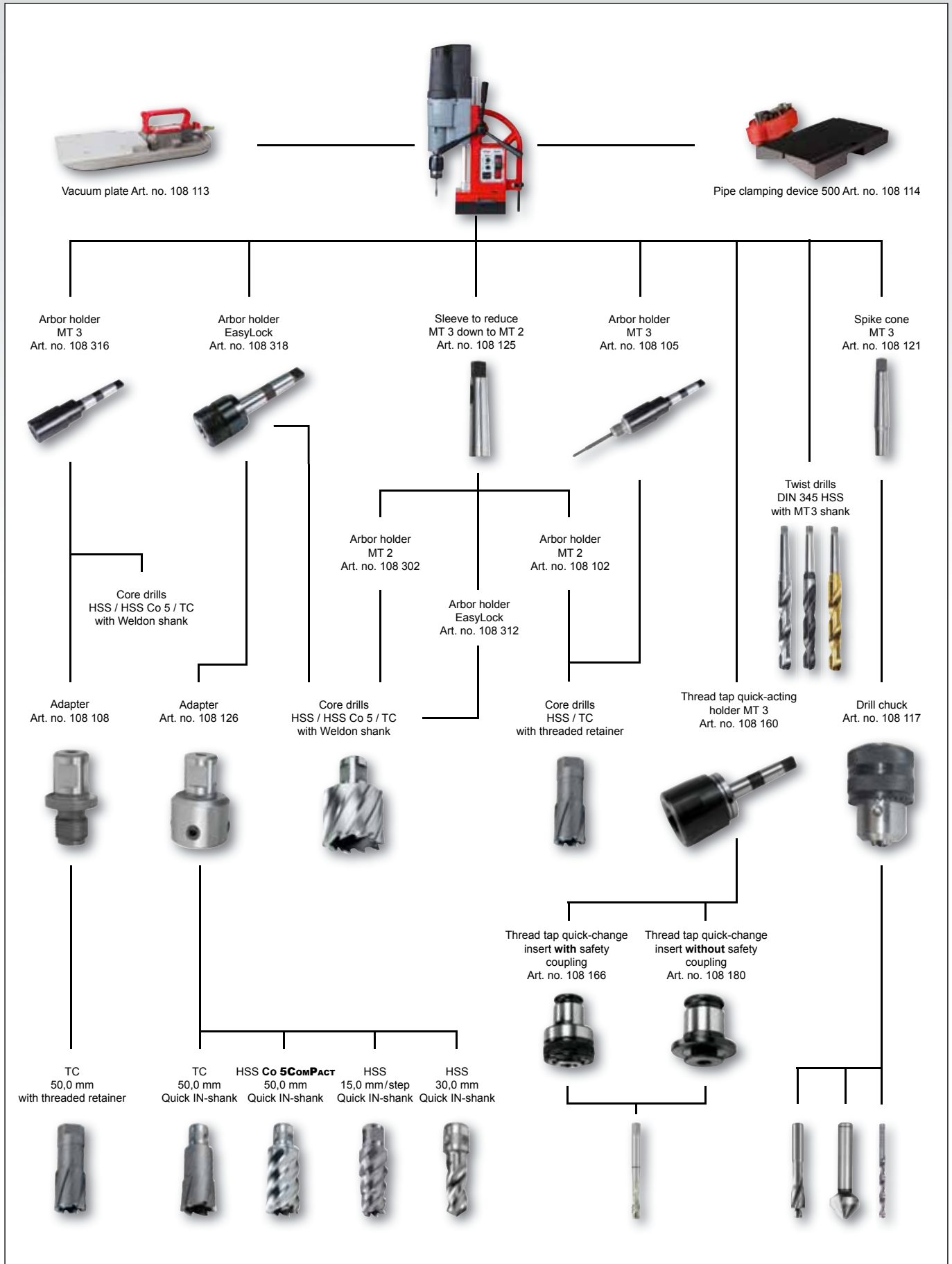
reversible for threaded cutters up to M 30.

#### Auxiliary controller :

The RUKO **auxiliary controller** enables positioning of 20° and 15,0 mm length with a fixed magnet. Advantage: no tilting of the machine on the magnet. The auxiliary controller is not necessary from an attraction of 20.800 N.



Magnetic-stand drilling machine RS40e / RSM40e





## Vacuum clamping plate with compressed air connection for magnetic-stand drilling machine

Length: 400,0 mm (16")  
 Width: 153,0 mm ( 6")  
 Height: 100,0 mm ( 4")  
 Weight: 4,6 kg (10.1 lbs)  
 Pressure at work min.: 4,5 bar (65 PSI)  
 Pressure at work max.: 8 bar (120 PSI)  
 Air consumption: 0,06 m<sup>3</sup>  
 2 CFM at 6 bar (85 PSI)

The vacuum clamping plate enables the use of magnetic stand drills on non-magnetic surfaces. In order to achieve the highest possible adhesive force, the application surface should be as free as possible of dust, scale, loose rust and filler. For safety reasons, the vacuum plate should only be used horizontally.



Packing unit:  
individual carton

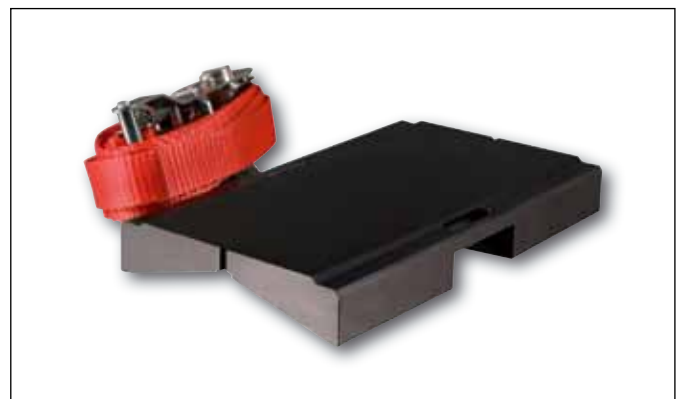
Description	Article no.
Vacuum clamping plate with compressed air connection for magnetic-stand drilling machine	108 113



## Pipe clamping device 500 for magnetic-stand drilling machine

Length: 220,0 mm (8.7")  
 Width: 130,0 mm (5.1")  
 Height: 28,0 mm (1.1")  
 Safety belt: 2,0 m (78.7")  
 Weight: 4,4 kg (9.7 lbs)  
 Clamping agent: ratchet

The pipe clamping device enables the use of magnetic stand drills on pipes 50,0 to 500,0 mm in diameter. For safety reasons, the pipe clamping device should only be used horizontally.



Packing unit:  
individual carton

Description	Article no.
Pipe clamping device 500 for magnetic-stand drilling machine	108 114





## Automatic EasyLock quick-in arbor for core drills with Weldon shank

The EasyLock quick-in arbor enables a very quick tool change without additional tools.

Can be operated with one hand.



Picture 1: Push the ring spanner up until it sits tight.

Picture 2: Insert the core drill in the EasyLock. This locks in with a loud "click." The ring spanner snaps down.

Picture 3: The core drill is fixed securely in the EasyLock. The machine is now ready for operation.



Picture 4: To release the core drill, push the ring spanner up.

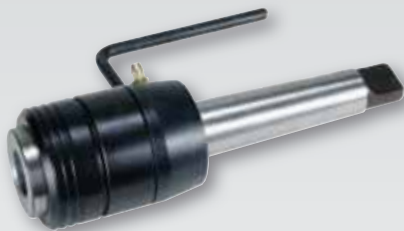
Picture 5: Caution! The core drill will fall out of the EasyLock.

## Automatic EasyLock quick-in arbor for core drills with Weldon shank (3/4")

Packing unit: individual carton



No. 108 314



No. 108 313



No. 108 318

Description	Magnetic-stand drilling machine	Ø Core drills mm	Core drills cutting depth mm	Article no.
EasyLock with thread M 14 and interior cooling	RS 10	10,0 - 35,0	30,0	108 314
EasyLock with morse taper no. 2 shank and cooling bottle article no. 108 101	RS20 / RS25e	10,0 - 60,0	30,0 / 50,0	108 312
EasyLock with morse taper no. 2 shank and interior cooling	RS20 / RS25e	10,0 - 60,0	30,0 / 50,0	108 317
EasyLock with morse taper no. 3 shank and cooling bottle article no. 108 101	RS30e / RS40e	10,0 - 60,0	30,0 / 50,0	108 313
EasyLock with morse taper no. 3 shank and interior cooling	RS30e / RS40e	10,0 - 60,0	30,0 / 50,0	108 318

## Arbor holders for core drills with Weldon shank (3/4")

Packing unit: individual carton



No. 108 159



No. 108 303



No. 108 316

Description	Magnetic-stand drilling machine	Ø Core drills mm	Core drills cutting depth mm	Article no.
Arbor holder with thread M 14	RS 10	10,0 - 35,0	30,0	108 159
Arbor holder with morse taper no. 2 shank and cooling bottle article no. 108 101	RS20 / RS25e	10,0 - 60,0	30,0 / 50,0	108 302
Arbor holder with morse taper no. 2 shank and interior cooling	RS20 / RS25e	10,0 - 60,0	30,0 / 50,0	108 315
Arbor holder with morse taper no. 3 shank and cooling bottle article no. 108 101	RS30e / RS40e	10,0 - 60,0	30,0 / 50,0	108 303
Arbor holder with morse taper no. 3 shank and interior cooling	RS30e / RS40e	10,0 - 60,0	30,0 / 50,0	108 316

## Arbor holders for core drills with threaded retainer M18 x 6 P1,5

Packing unit: individual carton



No. 108 103



No. 108 105

Description	Magnetic-stand drilling machine	Ø Core drills mm	Core drills cutting depth mm	Article no.
Arbor holder with morse taper no. 2 shank including cooling bottle article no. 108 101, adapter article no. 108 108 and ejector pin article no. 108 110	RS20 / RS25e	12,0 - 80,0	50,0	108 102
Arbor holder with morse taper no. 2 shank and interior cooling including adapter article no. 108 108 and ejector pin article no. 108 110	RS20 / RS25e	12,0 - 80,0	50,0	108 104
Arbor holder with morse taper no. 3 shank including cooling bottle article no. 108 101, adapter article no. 108 108 and ejector pin article no. 108 110	RS30e / RS40e	12,0 - 80,0	50,0	108 103
Arbor holder with morse taper no. 3 shank and interior cooling including adapter article no. 108 108 and ejector pin article no. 108 110	RS30e / RS40e	12,0 - 80,0	50,0	108 105

## Ejector pins for core drills

Packing unit: individual plastic pack

Description		Core drills cutting depth mm	Article no.
Ejector pin Ø 6,35 x 95,0 mm for step core drills HSS with Weldon- (3/4") and Quick IN-shank		15,0	108 310
Ejector pin Ø 8,0 x 81,0 mm for core drills TC with Weldon shank (3/4") for railway tracks		25,0	108 1510
Ejector pin Ø 6,35 x 77,0 mm for core drills HSS with Weldon shank (3/4")		30,0	108 304
Ejector pin Ø 6,35 x 70,0 mm for angle core drilling machine RS5e und core drills HSS with Weldon shank (3/4")		30,0	108 344
Ejector pin Ø 6,35 x 87,0 mm for core drills HSS / TC with Quick IN-shank		35,0	108 306
Ejector pin Ø 6,35 x 102,0 mm for core drills HSS with Weldon shank (3/4")		50,0	108 305
Ejector pin Ø 6,35 x 123,0 mm for core drills HSS / TC with Weldon- (3/4") and Quick IN-shank		50,0 + adapter	108 110
Ejector pin Ø 8,0 x 112,0 mm for core drills TC with Weldon shank (3/4")		50,0	108 701
Ejector pin Ø 8,0 x 160,0 mm for core drills HSS with Weldon shank (3/4")		110,0	108 2000

## Adapter for magnetic-stand drilling machine

Packing unit: individual plastic pack



No. 108 108



No. 108 126



No. 108 111



No. 108 118

Description	Magnetic-stand drilling machine	Article no.
Adapter with thread retainer M18 x 6 P1,5 for core drills with Weldon shank 3/4"	RS 10 / RS20 / RS25e / RS30e / RS40e	108 107
Adapter with Weldon shank 3/4" for core drills with thread retainer M18 x 6 P1,5	RS 10 / RS20 / RS25e / RS30e / RS40e	108 108
Adapter with Weldon shank 3/4" for core drills with Quick IN-shank	RS 10 / RS20 / RS25e / RS30e / RS40e	108 126
Adapter with Quick IN-shank for core drills with thread retainer M18 x 6 P1,5	with Quick IN-retainer	108 111
Adapter with Quick IN-shank for core drills with Weldon shank 3/4"	with Quick IN-retainer	108 118
Adapter with Nitto-shank for core drills with Weldon shank 3/4"	with Nitto-retainer	108 190
Adapter with Weldon shank 3/4" for core drills with Nitto-shank	RS 10 / RS20 / RS25e / RS30e / RS40e	108191

## Drill chuck and accessories for magnetic-stand drilling machine

Packing unit: individual plastic pack



No. 108 115



No. 108 109



No. 108 120

Description	Magnetic-stand drilling machine	Article no.
Drill chuck with thread retainer 1/2" UNF for clamp field Ø 1,5 - 13,0 mm	RS 10	108 116
Drill chuck with B16 cone for clamp field Ø 3,0 - 16,0 mm	RS20 / RS25e / RS30e / RS40e	108 117
Adapter with Weldon shank 3/4" for drill chuck article no. 108 116	RS 10	108 109
Adapter with thread M14 for drill chuck article no. 108 116	RS 10	108 115
Spike cone with morse taper no. 2 shank for drill chuck article no. 108 117	RS20 / RS25e	108 120
Spike cone with morse taper no. 3 shank for drill chuck article no. 108 117	RS30e / RS40e	108 121
Sleeve to reduce morse taper 3 down to morse taper 2	RS30e / RS40e	108 125
Sleeve to reduce morse taper 3 down to morse taper 1	RS30e / RS40e	108 124



## Thread tap quick-acting holder and quick-change inserts for magnetic-stand drilling machine

Packing unit: individual plastic pack

Description	Magnetic-stand drilling machine	Article no.
Quick-acting holder with morse taper no. 2 shank and - 5,0 / + 10,0 mm length compensation for thread taps	RS25e	108 163
Quick-acting holder with morse taper no. 3 shank and + / - 10,0 mm length compensation for thread taps	RS40e	108 160

Description	For thread tap Ø-shank mm	Article no. with safety coupling	Article no. without safety coupling
Quick-change insert	6,0	108 166	108 180
Quick-change insert	7,0	108 167	108 181
Quick-change insert	8,0	108 168	108 182
Quick-change insert	9,0	108 169	108 183
Quick-change insert	10,0	108 170	108 184
Quick-change insert	11,0	108 171	108 185
Quick-change insert	12,0	108 172	108 186
Quick-change insert	14,0	108 173	108 187
Quick-change insert	16,0	108 174	108 188
Quick-change insert	18,0	108 175	108 189



No. 108 163



No. 108 166



No. 108 180

## Overview of thread tap shaft diameters

Ø-shank mm	DIN 352 Nominal thread size	DIN 357 / DIN 376 Nominal thread size	DIN 371 Nominal thread size	UNC / UNF ≈ DIN 371 Nominal thread size
6,0	M 4,5 - M 8	M 8	M 5 / M 6	No. 10 / No. 12 / 1/4"
7,0	M 9 / M 10	M 9 / M 10	M 7	
8,0	M 11	M 11	M 8	5/16"
9,0	M 12	M 12	M 9	
10,0			M 10	3/8"
11,0	M 14	M 14		
12,0	M 16	M 16		
14,0	M 18	M 18		
16,0	M 20	M 20		
18,0	M 22 / M 24	M 22 / M 24		

Ø-shank mm	DIN 374 Nominal thread size	UNC / UNF ≈ DIN 376 Nominal thread size	DIN 5156 Nominal thread size	DIN 40433 Nominal thread size
6,0	MF 8		G 1/8"	PG 7
7,0	MF 10			
8,0		7/16"		
9,0	MF 12	1/2"		PG 9
10,0				
11,0	MF 14	9/16"	G 1/4"	PG 11
12,0	MF 16	5/8"	G 3/8"	PG 13,5
14,0	MF 18	3/4"		
16,0	MF 20		G 1/2"	
18,0	MF 22 / MF 24	7/8" / 1"		PG 21



## Magnetic chip lifter

The RUKO magnetic chip lifter attracts metal chips thanks to its strong magnet. Pulling back the magnet into its housing simply allows the chips to drop off again. Ideal for removing the chips on magnetic-stand drilling machines and difficult to reach areas.

Packing unit: individual plastic pack

Description	Article no.
Magnetic chip lifter, 400 mm	<b>108 202</b>



## Ratchet for RS4 / RS5e

Suitable instead of star grip in cramped space conditions.

Packing unit: individual plastic pack

Description	Article no.
Ratchet for RS4 / RS5e 3/8" square	<b>108 205</b>



## Adapter for magnetic-stand drilling machines as an addition to using a ratchet

Packing unit: individual plastic pack

Description	Article no.
Adapter small, fits magnetic-stand drilling machines RS4 / RS5e / RS10	<b>108 164</b>
Adapter large, fits magnetic-stand drilling machines RS20 / RS25e / RS30e / RS40e	<b>108 165</b>



## Adapter for thread taps with Weldon shank (3/4") in magnetic-stand drilling machines RS25e and RS40e

Packing unit: individual plastic pack

Thread tap	DIN	For thread tap Ø-shank mm	Square mm	Article no.	Thread tap	DIN	For thread tap Ø-shank mm	Square mm	Article no.
M 8	DIN 376	6,0		<b>108 192</b>	M 18	DIN 376	14,0	11,0	<b>108 197</b>
M 10	DIN 376	7,0	5,5	<b>108 193</b>	M 20	DIN 376	16,0	12,0	<b>108 198</b>
M 12	DIN 376	9,0	7,0	<b>108 194</b>	M 22 / M 24	DIN 376	18,0	14,5	<b>108 199</b>
M 14	DIN 376	11,0	9,0	<b>108 195</b>	M 27	DIN 376	20,0	16,0	<b>108 200</b>
M 16	DIN 376	12,0	9,0	<b>108 196</b>	M 30	DIN 376	22,0	18,0	<b>108 201</b>



## Splash guard for magnetic-stand drilling machines

Packing unit: individual plastic pack

Description	Article no.
Splash guard large, fits magnetic-stand drilling machines RS30e and RS40e	<b>108 203</b>
Splash guard small, fits magnetic-stand drilling machines RS4 / RS5e / RS10 / RS20 /RS25e	<b>108 204</b>



## Cooling bottles

Packing unit: individual carton

Description	Article no.
Cooling-spray bottle, 500 ml	108 101
Cooling bottle with regulating tap, 500 ml	108 122



## Arbor holders for M 27 and M 30 thread taps in magnetic-stand drilling machine RS40e

Packing unit: individual plastic pack

Description	Article no.
MT 3 arbor holder for M 27 thread taps	108 161
MT 3 arbor holder for M 30 thread taps	108 162



## Coolants and lubricants

The RUKO coolants and lubricants provide an outstanding separation and cooling effect. They generate a high surface quality and increase the service life of the tools, even with hard and brittle materials.

Suitably aligned to our product range, you will find the new series of coolants and lubricants in our new section 4.01 from page 293.

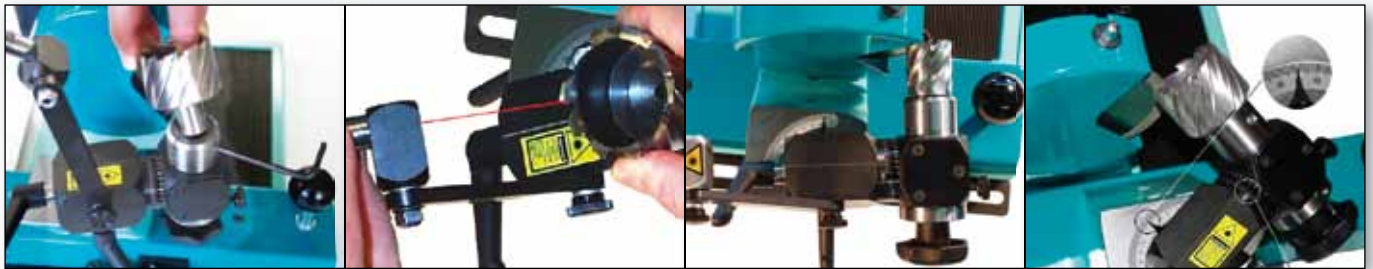


## Grinding machine for core drills 1250 for subsequent grinding of core drills

Length:	410,0 mm (16.14")	Travel		✓ Quick and simple handling
Width:	412,0 mm (16.22")	Motor block:	75,0 mm (2.95")	✓ Grinding angle infinitely adjustable
Height without optics:	390,0 mm (15.35")	Travel		✓ For core drills from Ø 12,0 to 100,0 mm
Height with optics:	460,0 mm (18.11")	Pilot block:	215,0 mm (8.46")	✓ For core drills of HSS
Weight:	ca. 29,0 kg (64 lbs)	Noise emission:	<70 dBa	✓ Adjustable for core drills with 4 - 5 - 6 - 7 - 8 - 9 - 10 - 12 cutting edges
Connection:	230 volt 50/60 Hz	Starting time grinding wheel:	about 10 sec.	✓ With laser adjustment aid
Motor:	230 volt, 0,12 kW, 2.800 rpm	Adapter:	weldon 19,0 mm (3/4")	

Packing unit: individual carton

Description	Article no.
Grinding machine for core drills 1250 + 1 diamond grinding wheel, 3-sided, with radius for faces + 1 diamond grinding wheel, 2-sided, for tooth back + 1 optical system with neon light + 1 T 8 part disk for core drill with 4 or 8 cutting edges + 1 T 10 part disk for core drills with 5 or 10 cutting edges	104 080



## Accessories for core drill grinding machine 1250

Packing unit: individual carton

Description	Article no.
Optical system with neon light	104 081
Diamond grinding wheel, 3-sided, with radius for faces	104 082
Diamond grinding wheel, 2-sided, for tooth back	104 083
T 6 part disk for core drill with 6 cutting edges	104 084
T 7 part disk for core drill with 7 cutting edges	104 085
T 8 part disk for core drill with 4 or 8 cutting edges	104 086
T 9 part disk for core drill with 9 cutting edges	104 087
T 10 part disk for core drills with 5 or 10 cutting edges	104 088
T 12 part disk for core drills with 6 or 12 cutting edges	104 089

