

Metal bellows couplings with clamp hubs

Item description/product images



Description

Material:

Hub aluminium.
Bellows stainless steel.

Version:

Bright.

Note:

Metal bellows coupling with high torsional rigidity. The metal bellows compensates for axial, radial and angular shaft misalignment with low restoring forces. With clamping hubs for fastening to shafts.

They are primarily used when precise position and motion transmission is required, e.g. servo motors in machine tools, packaging machines, woodworking machines and in automation technology.

Temperature range:

-30 °C to +120 °C.

Assembly:

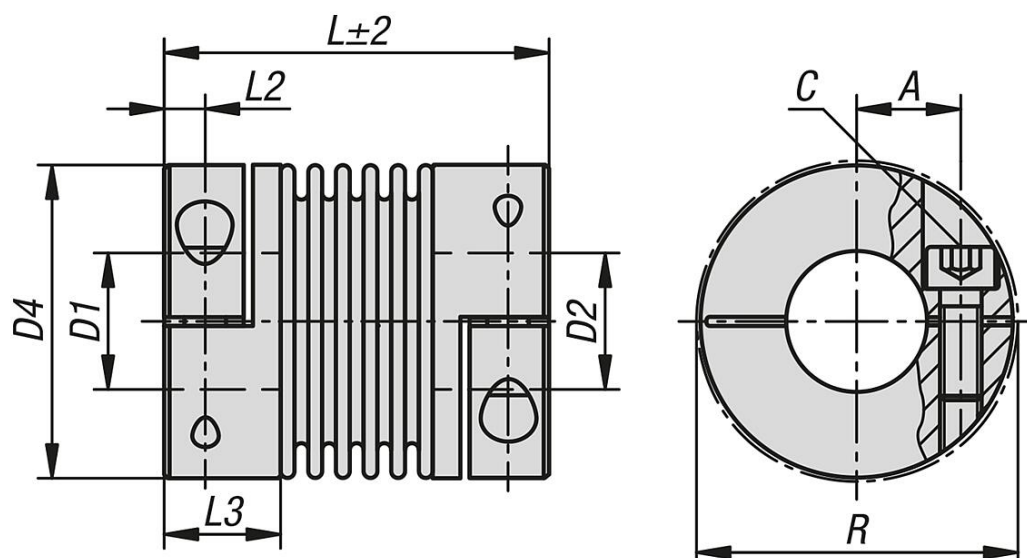
The metal bellows coupling hubs have an H7 tolerance. The recommended clearance tolerance is 0.02 - 0.05 mm. This tolerance and lubricating the shaft journals aid assembly and removal.

The metal bellows may be deformed max. 3 times over the permissible deflection values specified in the catalogue during assembly and removal. Avoid any use of force.

On request:

Desired hub holes D1 and D2 separately with tolerance class or tolerance zone. Keyway acc. to DIN 6885. Please observe largest possible bore by keyway.

Drawings



Metal bellows couplings with clamp hubs

Overview of items

Metal bellows couplings with clamp hubs

Order No.	Size	Max. torque Nm	Moment of inertia (gm ²)	Torsional stiffness (10 ⁻³ Nm/wheel)	Spring stiffness radial (N/mm)	Spring stiffness axial N/mm
K1882.0180631010	18	18	0,04	20	205	50
K1882.0180631111	18	18	0,04	20	205	50
K1882.0180631212	18	18	0,04	20	205	50
K1882.0180631414	18	18	0,04	20	205	50
K1882.0180631919	18	18	0,04	20	205	50
K1882.0180632424	18	18	0,04	20	205	50
K1882.0180632525	18	18	0,04	20	205	50
K1882.0300651010	30	30	0,15	38	720	50
K1882.0300651111	30	30	0,15	38	720	50
K1882.0300651212	30	30	0,15	38	720	50
K1882.0300651414	30	30	0,15	38	720	50
K1882.0300651919	30	30	0,15	38	720	50
K1882.0300652424	30	30	0,15	38	720	50
K1882.0300652525	30	30	0,15	38	720	50
K1882.0600791212	60	60	0,33	75	1150	90
K1882.0600791414	60	60	0,33	75	1150	90
K1882.0600791919	60	60	0,33	75	1150	90
K1882.0600792424	60	60	0,33	75	1150	90
K1882.0600792525	60	60	0,33	75	1150	90
K1882.0600792828	60	60	0,33	75	1150	90
K1882.0600793232	60	60	0,33	75	1150	90
K1882.0800911212	80	80	0,9	128	1200	80
K1882.0800911919	80	80	0,9	128	1200	80
K1882.0800912424	80	80	0,9	128	1200	80
K1882.0800912525	80	80	0,9	128	1200	80
K1882.0800912828	80	80	0,9	128	1200	80
K1882.0800913232	80	80	0,9	128	1200	80
K1882.1500911414	150	150	1	155	2020	280
K1882.1500911919	150	150	1	155	2020	280
K1882.1500912424	150	150	1	155	2020	280
K1882.1500912525	150	150	1	155	2020	280
K1882.1500912828	150	150	1	155	2020	280
K1882.1500913232	150	150	1	155	2020	280
K1882.2001011616	200	200	1,49	175	2500	280
K1882.2001011919	200	200	1,49	175	2500	280
K1882.2001012424	200	200	1,49	175	2500	280
K1882.2001012525	200	200	1,49	175	2500	280
K1882.2001012828	200	200	1,49	175	2500	280
K1882.2001013232	200	200	1,49	175	2500	280
K1882.3001052020	300	300	3,28	502	6300	287
K1882.3001052424	300	300	3,28	502	6300	287
K1882.3001052828	300	300	3,28	502	6300	287
K1882.3001053838	300	300	3,28	502	6300	287
K1882.5001122525	500	500	6,4	690	7790	100
K1882.5001123838	500	500	6,4	690	7790	100
K1882.5001124242	500	500	6,4	690	7790	100

Order No.	max. shaft offset radial (mm)	max. shaft offset axial (mm)	max. angular offset (°)	Max. rpm	A	C (ISO 4029)	D1 (H7)
K1882.0180631010	0,2	0,5	1,5	12800	17	M5	10
K1882.0180631111	0,2	0,5	1,5	12800	17	M5	11
K1882.0180631212	0,2	0,5	1,5	12800	17	M5	12
K1882.0180631414	0,2	0,5	1,5	12800	17	M5	14
K1882.0180631919	0,2	0,5	1,5	12800	17	M5	19
K1882.0180632424	0,2	0,5	1,5	12800	17	M5	24
K1882.0180632525	0,2	0,5	1,5	12800	17	M5	25
K1882.0300651010	0,15	0,6	1,5	10300	20	M6	10

Metal bellows couplings with clamp hubs

Overview of items

Order No.	max. shaft offset radial (mm)	max. shaft offset axial (mm)	max. angular offset (°)	Max. rpm	A	C (ISO 4029)	D1 (H7)
K1882.0300651111	0,15	0,6	1,5	10300	20	M6	11
K1882.0300651212	0,15	0,6	1,5	10300	20	M6	12
K1882.0300651414	0,15	0,6	1,5	10300	20	M6	14
K1882.0300651919	0,15	0,6	1,5	10300	20	M6	19
K1882.0300652424	0,15	0,6	1,5	10300	20	M6	24
K1882.0300652525	0,15	0,6	1,5	10300	20	M6	25
K1882.0600791212	0,15	0,6	1,5	8700	23	M8	12
K1882.0600791414	0,15	0,6	1,5	8700	23	M8	14
K1882.0600791919	0,15	0,6	1,5	8700	23	M8	19
K1882.0600792424	0,15	0,6	1,5	8700	23	M8	24
K1882.0600792525	0,15	0,6	1,5	8700	23	M8	25
K1882.0600792828	0,15	0,6	1,5	8700	23	M8	28
K1882.0600793232	0,15	0,6	1,5	8700	23	M8	32
K1882.0800911212	0,2	0,5	1,5	6900	28	M10	12
K1882.0800911919	0,2	0,5	1,5	6900	28	M10	19
K1882.0800912424	0,2	0,5	1,5	6900	28	M10	24
K1882.0800912525	0,2	0,5	1,5	6900	28	M10	25
K1882.0800912828	0,2	0,5	1,5	6900	28	M10	28
K1882.0800913232	0,2	0,5	1,5	6900	28	M10	32
K1882.1500911414	0,2	0,5	1,5	6900	28	M10	14
K1882.1500911919	0,2	0,5	1,5	6900	28	M10	19
K1882.1500912424	0,2	0,5	1,5	6900	28	M10	24
K1882.1500912525	0,2	0,5	1,5	6900	28	M10	25
K1882.1500912828	0,2	0,5	1,5	6900	28	M10	28
K1882.1500913232	0,2	0,5	1,5	6900	28	M10	32
K1882.2001011616	0,2	0,5	1,5	6400	31	M12	16
K1882.2001011919	0,2	0,5	1,5	6400	31	M12	19
K1882.2001012424	0,2	0,5	1,5	6400	31	M12	24
K1882.2001012525	0,2	0,5	1,5	6400	31	M12	25
K1882.2001012828	0,2	0,5	1,5	6400	31	M12	28
K1882.2001013232	0,2	0,5	1,5	6400	31	M12	32
K1882.3001052020	0,2	0,5	1,5	6000	40	M12	20
K1882.3001052424	0,2	0,5	1,5	6000	40	M12	24
K1882.3001052828	0,2	0,5	1,5	6000	40	M12	28
K1882.3001053838	0,2	0,5	1,5	6000	40	M12	38
K1882.5001122525	0,2	0,5	1,5	5000	42	M12	25
K1882.5001123838	0,2	0,5	1,5	5000	42	M12	38
K1882.5001124242	0,2	0,5	1,5	5000	42	M12	42

Order No.	D2 (H7)	D1/D2 min.	D1/D2 max.	D1/D2 max. by keyway	D4	L	L2	L3	R	Tightening torque of screws Nm
K1882.0180631010	10	10	25,4	25,4	45	63	5,5	19,5	47,4	8
K1882.0180631111	11	10	25,4	25,4	45	63	5,5	19,5	47,4	8
K1882.0180631212	12	10	25,4	25,4	45	63	5,5	19,5	47,4	8
K1882.0180631414	14	10	25,4	25,4	45	63	5,5	19,5	47,4	8
K1882.0180631919	19	10	25,4	25,4	45	63	5,5	19,5	47,4	8
K1882.0180632424	24	10	25,4	25,4	45	63	5,5	19,5	47,4	8
K1882.0180632525	25	10	25,4	25,4	45	63	5,5	19,5	47,4	8
K1882.0300651010	10	10	32	30	56	65	7,5	24,5	56,4	15
K1882.0300651111	11	10	32	30	56	65	7,5	24,5	56,4	15
K1882.0300651212	12	10	32	30	56	65	7,5	24,5	56,4	15
K1882.0300651414	14	10	32	30	56	65	7,5	24,5	56,4	15
K1882.0300651919	19	10	32	30	56	65	7,5	24,5	56,4	15
K1882.0300652424	24	10	32	30	56	65	7,5	24,5	56,4	15
K1882.0300652525	25	10	32	30	56	65	7,5	24,5	56,4	15
K1882.0600791212	12	12	35	35	66	79	10	29	66	40
K1882.0600791414	14	12	35	35	66	79	10	29	66	40
K1882.0600791919	19	12	35	35	66	79	10	29	66	40
K1882.0600792424	24	12	35	35	66	79	10	29	66	40
K1882.0600792525	25	12	35	35	66	79	10	29	66	40

Metal bellows couplings with clamp hubs

Overview of items

Order No.	D2 (H7)	D1/D2 min.	D1/D2 max.	D1/D2 max. by keyway	D4	L	L2	L3	R	Tightening torque of screws Nm
K1882.0600792828	28	12	35	35	66	79	10	29	66	40
K1882.0600793232	32	12	35	35	66	79	10	29	66	40
K1882.0800911212	12	12	44	44	82	91	11	33,5	82,9	84
K1882.0800911919	19	12	44	44	82	91	11	33,5	82,9	84
K1882.0800912424	24	12	44	44	82	91	11	33,5	82,9	84
K1882.0800912525	25	12	44	44	82	91	11	33,5	82,9	84
K1882.0800912828	28	12	44	44	82	91	11	33,5	82,9	84
K1882.0800913232	32	12	44	44	82	91	11	33,5	82,9	84
K1882.1500911414	14	14	44	44	82	91	11	33,5	82,9	84
K1882.1500911919	19	14	44	44	82	91	11	33,5	82,9	84
K1882.1500912424	24	14	44	44	82	91	11	33,5	82,9	84
K1882.1500912525	25	14	44	44	82	91	11	33,5	82,9	84
K1882.1500912828	28	14	44	44	82	91	11	33,5	82,9	84
K1882.1500913232	32	14	44	44	82	91	11	33,5	82,9	84
K1882.2001011616	16	16	47	47	90	101	13	38	90,8	125
K1882.2001011919	19	16	47	47	90	101	13	38	90,8	125
K1882.2001012424	24	16	47	47	90	101	13	38	90,8	125
K1882.2001012525	25	16	47	47	90	101	13	38	90,8	125
K1882.2001012828	28	16	47	47	90	101	13	38	90,8	125
K1882.2001013232	32	16	47	47	90	101	13	38	90,8	125
K1882.3001052020	20	20	60	60	110	105	13	38	110	145
K1882.3001052424	24	20	60	60	110	105	13	38	110	145
K1882.3001052828	28	20	60	60	110	105	13	38	110	145
K1882.3001053838	38	20	60	60	110	105	13	38	110	145
K1882.5001122525	25	25	70	70	122	112	15	42	122	145
K1882.5001123838	38	25	70	70	122	112	15	42	122	145
K1882.5001124242	42	25	70	70	122	112	15	42	122	145