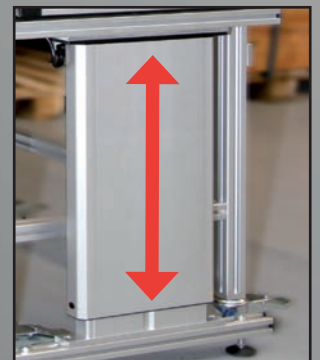
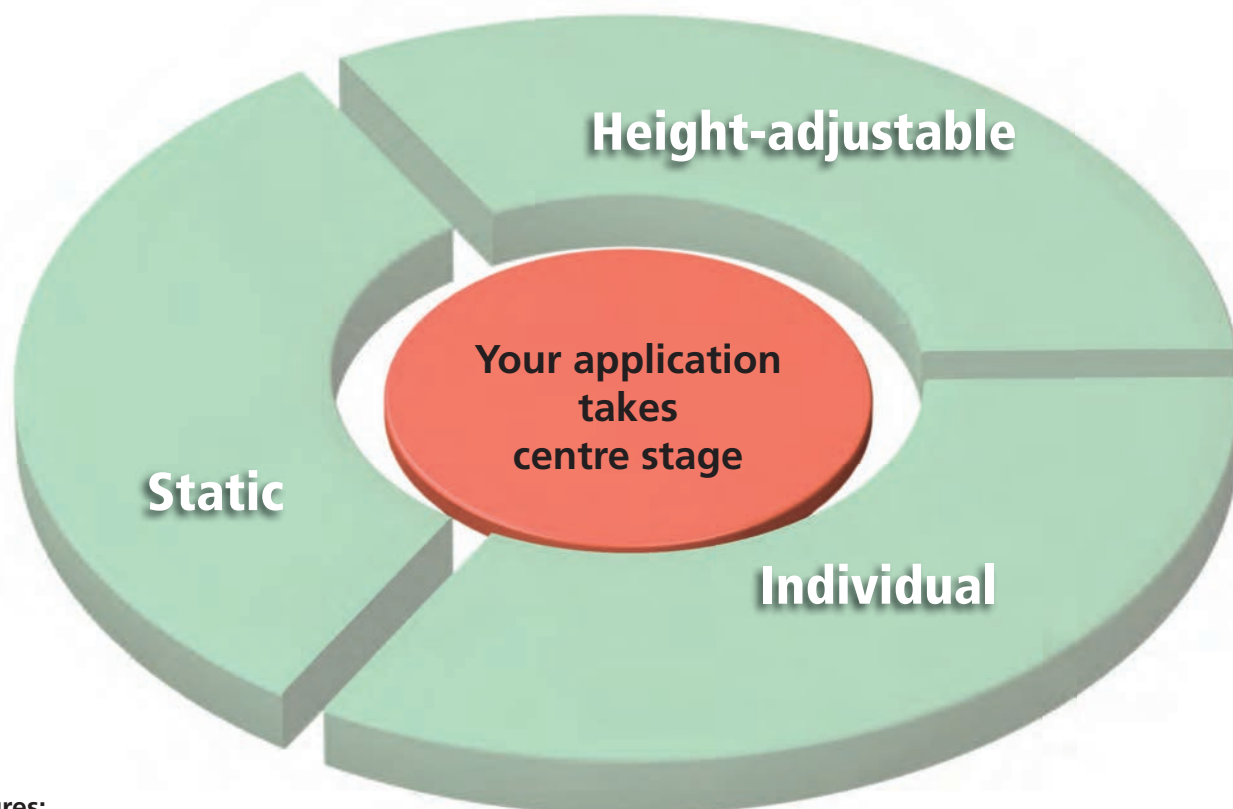


# Ergonomic Workstation Systems



## Developed under the aspect of ergonomical and order specific configured workstations

With the RK Easywork selection tool, a complete assembly work table can be online configured to meet ergonomic and task-specific requirements. Step by step, the selection tool guides you through all of the options on the way to create your ideal workstation. Additional lighting, holders for grab containers, foot rests, standing chairs and ESD accessories are all available, along with other useful devices.



### Features:

- ✓ Assembly workstations configured quickly
- ✓ Two basic variants: static and height-adjustable
- ✓ Wide range of accessories
- ✓ Online selection and enquiry





**The RK Easywork workstation system is based on RK Rose+Krieger's complete modular system.**

BLOCAN® construction profiles made from aluminium and the electrically driven lifting columns offer a perfect combination for the creation of high-quality table concepts. Customers can choose between the simplest static tables or electrically height-adjustable work tables and configure their own combinations.

**PROFILE TECHNOLOGY**



Mix and match

**LINEAR TECHNOLOGY**



Moving and positioning

**CONNECTING TECHNOLOGY**



Clamp and release

**Ergonomic assembly workstations increase productivity and reduce physical strain**

Being able to adjust the table height to suit the individual operator minimises physical strain and leads to an appreciable increase in productivity of 5%-15% on average.

As a rule, the requirements to be met by an assembly workstation are highly diverse. Workpieces of varying sizes, shapes and weights in small and medium batch production, conversions/extensions of the production processes or modern LEAN workplaces demand a flexible system which can be individually configured or modified as necessary.



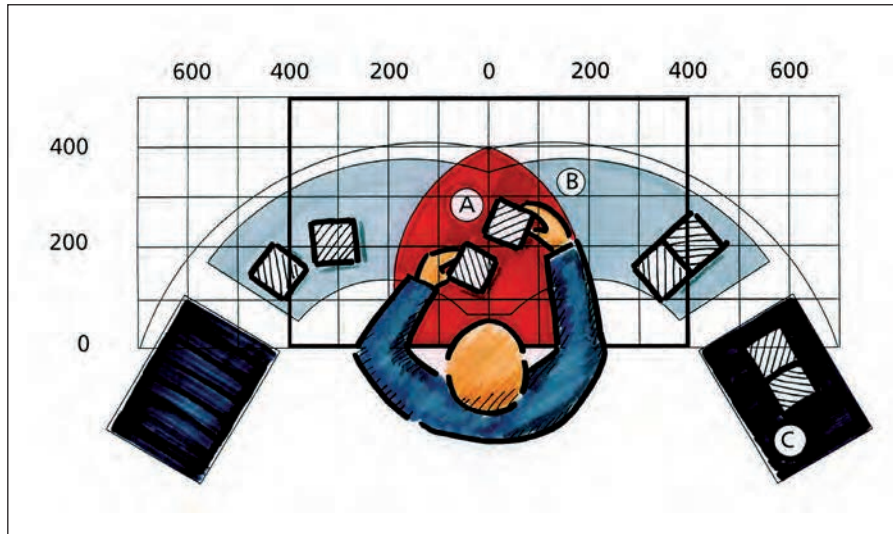
**Our solution is as individual as your requirements**

That is why, in addition to a range of standard tables, we also offer you expert advice and assistance in the implementation of your optimal assembly workstation.

If you want to focus your resources on other tasks and look for a partner you can rely on, our specialists will work closely with you to develop tailor-made solutions..

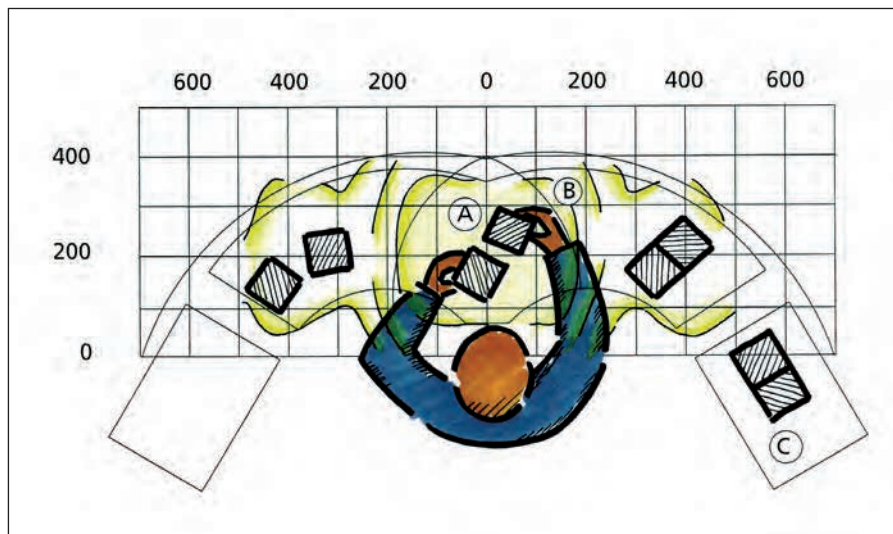
# Ergonomics, workstation design

## Material-grab facilities



- Complex manual workstations need a detailed consideration of the grab area.
- Different positions of the wrists can badly restrict the free movement. Therefore, harmonic motion sequences shall be targeted.
- The anatomically ideal arm position is reached with vertically falling upper arms, whereby the forearms are directed forward and slightly down. The employees' hands shall work in the approximate height of their stomach.

## Illumination of the workplace



- Specific illumination of the workplace is very important.
- Dazzle-free, neutral in colour and reduced shadow areas are important criteria for a well blanced lighting
- Neutral white reflector screen lamps have proved themselves for the most work tasks. Furthermore, they avoid disturbing reflections and spread the light very evenly.

## ESD protection (Electrostatic Discharge)

- ESD is called electrostatic discharge and describes the processes and effects when electric charges are discharged between two differently charged objects. Voltages of more than 10,000 volts can be generated which can damage electrostatically sensitive components (e.g. semi-conductors).

- To protect electrostatically sensitive components (ESDs), all components must be connected to each other and to earth.



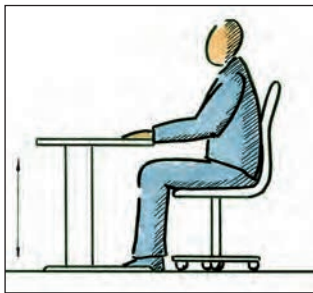


## Optimal work heights and fields of view



### Standing

Body upstanding | upper arms vertical down | approximate right angle between upper arm and forearm | head/visual angle about 30-35°.



### Sitting

Torso vertical | upper arms vertical | forearms horizontal | view angle about 40° to the bottom | thighs horizontal | shanks vertical | feet should have flat contact to the bottom. If that is not possible, please use foot rests.

- Apart from jobs where people only sit or stand, optimal work heights should be aimed at. Especially motor controlled adjustable systems facilitate comfortable changing of standing and sitting works and have a positive effect on the employees' movement apparatus as well as their cardiovascular system.

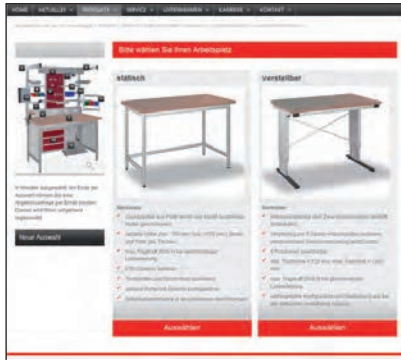
- Up to 90% of sense perception is the sense of sight by eyes. For this, our visual field, where we can see objects sharply, is very small. Therefore, we are always forced to adapt our visual axes by movements of our head or our eyes. The ideal workplace reduces the necessary movements of the head and the eyes and avoids forced poise of body.



# Online selection

## Step 1

Selection of the base frame:  
two options possible -  
static or height adjustable



## Step 2

Selection of the profiles:  
4 sides with grooves or closed  
outer profile



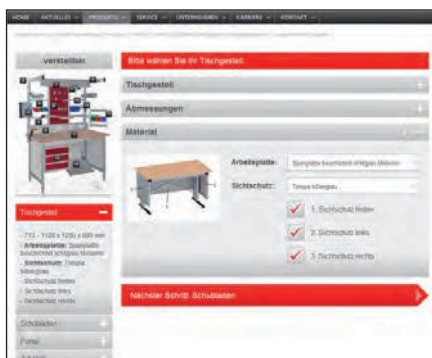
## Step 3

Specification of the dimension  
height, width, depth



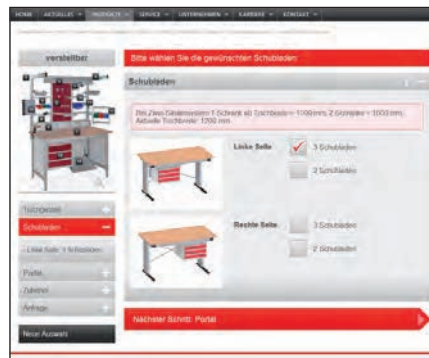
## Step 4

You can select from four different  
materials and decide if you need  
visual cover



## Step 5

Select the numbers of drawers



## Step 6

If you decided to use a gantry, you  
will be asked about lamps, power  
supply, grab containers and  
ingenious accessories.





**Step 7**

You can select more article in the area of accessories, e.g. ESD accessories



**Step 8**

Overview of completed selection



**Step 9**

Send your enquiry, finished !

Soon you will receive your individual offer.





### Static



- Base frame made from profiled bars 40x40 and 40x80 (closed grooves optional)
- Variable height (min. 750 max. 1250 mm), width and depth of the table
- Maximum supporting capacity 2500 N with constant load distribution
- ESD-accessories available
- Material of table tops and visual screen optional
- Optional gantry with configurable accessories
- Drawer cabinets in various designs

**Standard width: 1200, 1600, 2000 mm**  
**Standard depth: 800 mm**

### Electrical height-adjustment two-column system

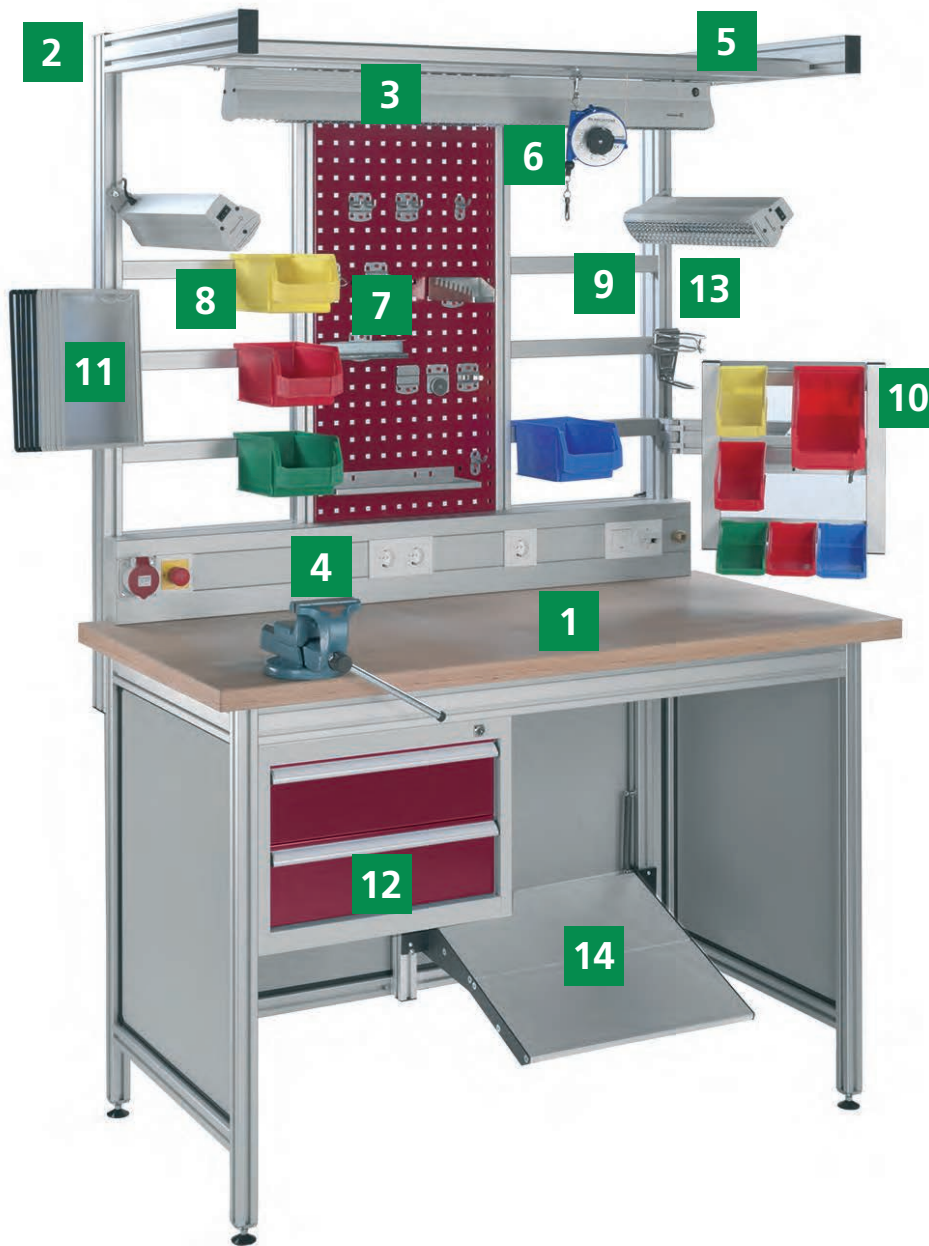


- Height adjustment by two-column-system (Multilift-columns)
- Adjustment by 6-button-hand switch and the electronic synchronous control MultiControl
- 9 positions can be stored
- Min table height = 728 mm  
max table height = 1326 m
- Maximum supporting capacity 2000 N with constant load distribution
- Comprehensive configuration and equipment possible in the same way as for the static design

**Standard width 1200, 1600, 2000 mm**  
**Standard depth: 800 mm**



## Configuration levels



- |                         |                                     |                           |
|-------------------------|-------------------------------------|---------------------------|
| <b>1</b> Table top      | <b>6</b> Balancer                   | <b>11</b> Document holder |
| <b>2</b> Gantry         | <b>7</b> Perf. boards/tool holders  | <b>12</b> Drawer cabinet  |
| <b>3</b> System lamps   | <b>8</b> Grab containers            | <b>13</b> Cup holder      |
| <b>4</b> Power supply   | <b>9</b> Mounting rail/mat. panel   | <b>14</b> Foot rest       |
| <b>5</b> Runner profile | <b>10</b> Swivelling material panel |                           |

# Attachment components/Accessories

## Table tops



Chipboard coated



Beech-multiplex top

Page 13

## Gantry



Page 14

## System lamps



Design -centre-



Design -RH/LH-

Page 15

## Power supply



Page 16

## Runner profile



roller carriage

Page 17

## Balancer



Page 17

## Perforated Boards



Page 18

## Tool holder



Page 19

## Grab containers



Page 20

## Mounting profile

...for grab containers



Page 20

## Material panel



Page 21

## Material rail

...swivelling



Page 21

## Document holder



Page 22

## Monitor holder



Page 22

## Drawer cabinet



Page 23





## Cup holder



Page 23

<p>Bench-Vice</p>  <p>Page 24</p>	<p>Slot stones</p>  <p>Page 24</p>	<p>Foot rest</p>  <p>Page 25</p>	<p>Sitting/standing aid</p>  <p>Page 25</p>
--	---	--	--

## Accessories

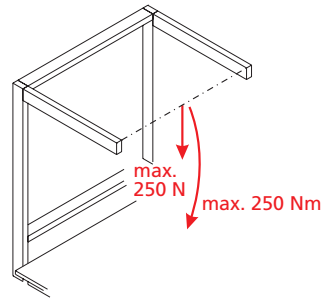
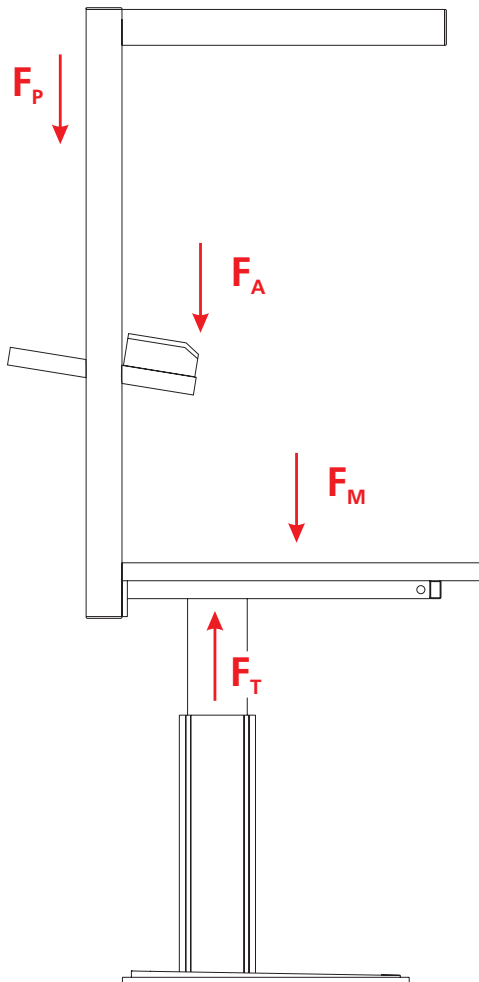
<p>ESD-table top mat</p>  <p>Page 26</p>	<p>ESD-wrist strap</p> <p>...with helix cable</p>  <p>Page 26</p>	<p>ESD-earthing box</p>  <p>Page 27</p>	<p>ESD-earthing strip</p>  <p>Page 27</p>
---	--	---	--

<p>ESD-earth component</p>  <p>Page 27</p>	<p>ESD-earthing cable</p>  <p>Page 27</p>
---	--



# Load data

## Determination of maximum load



$$F_M = F_T - F_P - F_A$$

$F_M$  = maximum mechanical load

$F_T$  = max supporting of the basic table

$F_P$  = dead load of the gantry

$F_A$  = dead load of the attachment parts and assembly material

Version	Maximum supporting load of the basic table $F_T$	Dead load of the gantry $F_p$
Static tables	2500 N	750 N
Electrically height-adjustment- two-column system	2000 N	750 N

## Table top

Different materials can be selected for the table top depending on the field of application.



### Chipboard coated

Decorative, plastic coated, easy to clean, with edge banding



### Beech-multiplex top

High payload and bending strength, can be machined well

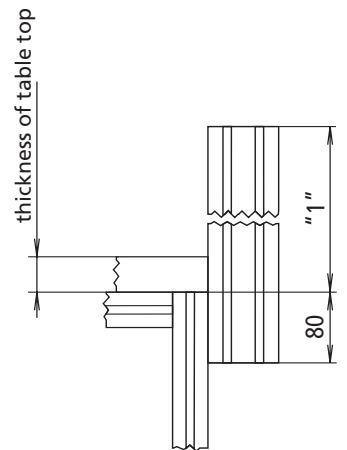
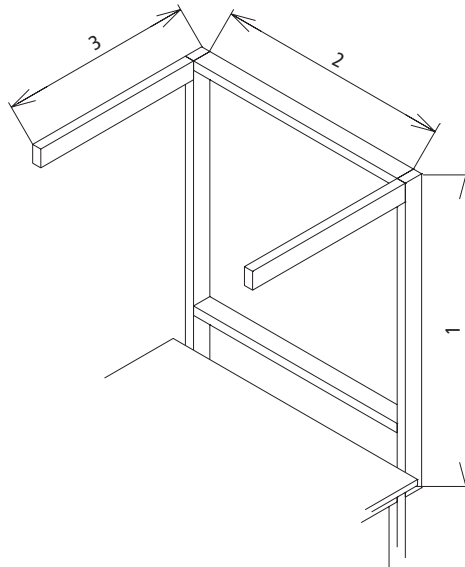
Code No.	Type	Thickness	Standard size	max. size	Weight [kg/m <sup>2</sup> ]
WAC042000006	coated chipboard (melamine), light grey	22 mm	1200x800, 1600x800, 2000x800 mm	1200x2000 mm	13,5
WAC042000005	coated chipboard (HPL), light grey	23 mm			15,0
WAC042000143	oiled multiplex board, beech	30 mm			23,0
WAC042000007	oiled multiplex board, beech	40 mm			30,0
WAC042000087	ESD-protective table top map	2 mm	900 x 610 mm	–	–
WAC042000088	ESD-protective table top map	2 mm	1220 x 610 mm	–	–

Further versions are available on request. Cut to size according to customer specifications.

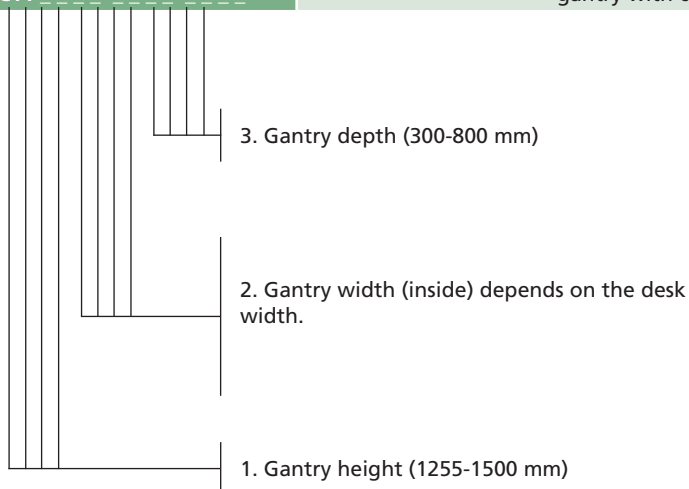
# Attachment components

## Gantry

The gantry is mounted on the rear side of the workstation and serves for supporting lamps, grab containers, accessories, tools, etc.



Code No.	Type
WAC10	gantry with open grooves (Profil F-40x80-L)
WAC11	gantry with closed grooves (Profil F-GG 40x80)



Code No.	Type
WAC042000157	mounting kit for static table
WAC042000158	mounting kit for electrical height adjustment - two-column system



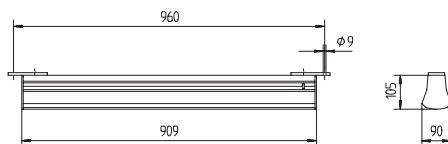
## System lamp

Comfortable and efficient work requires an absolutely glare-free layout and positioning of the lamps. Additionally, an even illumination of the work area is absolutely necessary. Depending on the work task it, might be reasonable to install additional swivelling lamps next to the central mounted one. It has been proven that this reduces the error rate and increases the employees' performance.

Connected el. loads:	see order sheet table; 50/60 Hz
Component parts:	-central-: 2x compact fluorescent lamps TC-L 36 W neutral white 4000 K -LH/RH: 1x TC-L 36 W neutral white 4000 K
Power supply unit:	EVG
Power cable:	ca. 3 m, two-pin grounded plug
Lamp housing:	Aluminium profile, surface light grey varnished
Weight (net):	-centre-: ca. 3.8 kg -LH/RH: ca. 2.3 kg
Technology:	switchable
Operation:	Switch
Shading:	Reflecting parabolic screen
Protective system:	IP20
Protection class:	I

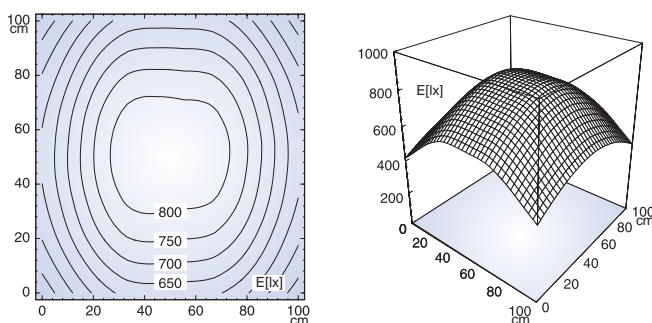


Design -centre-

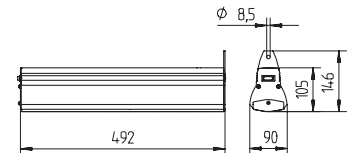


E<sub>min</sub>: 417 lx    E<sub>m</sub>: 655 lx  
E<sub>max</sub>: 843 lx

Measurement conditions: d= 100 cm

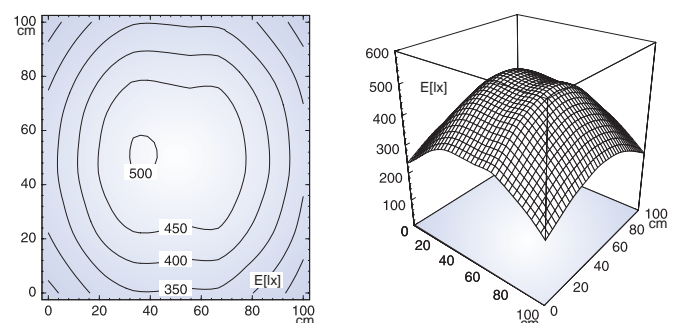


Design -LH/RH-



E<sub>min</sub>: 214 lx    E<sub>m</sub>: 376 lx  
E<sub>max</sub>: 501 lx

Measurement conditions: d= 100 cm



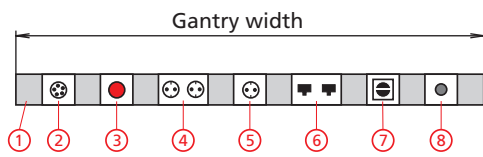
Code No.	Type	Voltage
WAC042000015	-centre-	230 V

Code No.	Type	Voltage
WAC042000014	-LH/RH-	230 V

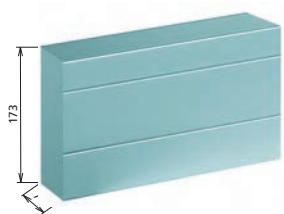
# Attachment components

## Power supply

The power supply channel can be equipped with any single components as required. The scope of delivery already includes a mounting kit for the supply channel.



### 1. Energy supply channel



Code No.	Type
WAC05	$L_{\max} = 2004 \text{ mm}$

Total length incl. end caps (2 mm each)

### 5. Socket



Code No.	Type
WAC042000071	230 V (D)
WAC042000148	230 V (F)
WAC042000075	230 V (CH)
WAC042000079	230 V (GB)

### 2. CEE socket



Code No.	Type
WAC042000073	400 V (D)
WAC042000077	400 V (CH)
WAC042000081	400 V (GB)

### 6. Network terminal



Code No.	Type
WAC042000069	RJ 45

### 3. Emergency stop button



Code No.
WAC042000070

### 7. Double-throw switch



Code No.	Type
WAC042000074	110-230 V (D,F,CH,GB)

### 4. Double socket



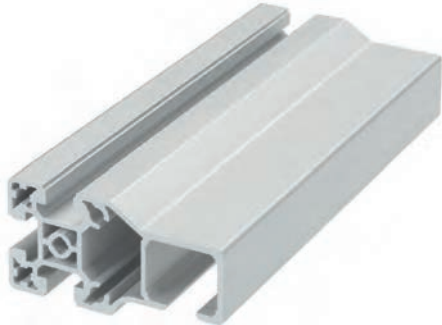
Code No.	Type
WAC042000072	230 V (D)
WAC042000147	230 V (F)
WAC042000076	230 V (CH)
WAC042000080	230 V (GB)

### 8. Pneumatic connection



Code No.	Type
WAC042000065	NW-7,2

## Runner profile



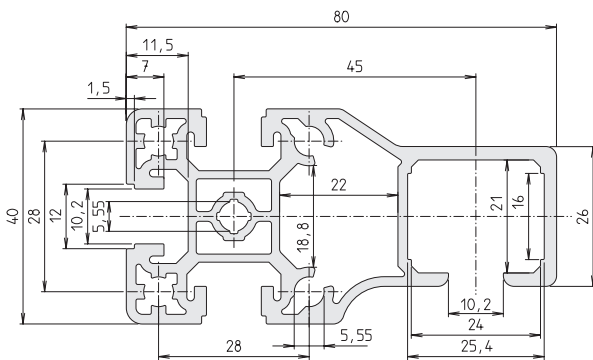
The runner profile is mounted on the gantry and serves for guiding the tools and auxiliary aids (e.g. balancer, see below).

**Material:** Aluminium profile, light, anodised

**Weight:** 2199 g/m



Roller carriage

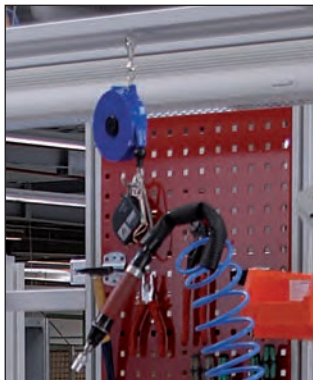


Code No.	Type
4185001	bar of 6 m
4185000	cut on request max. 6 m
WAC042000160	carriage for balancer
2x 4816702	mounting kit

## Balancer

The balancer is used to position tools “weightlessly” at the workplace that they can be handled easily. To ensure optimal function, the total weight of the tool (including cable connections) must be within the specified range of the supported load. The precise setting of the supporting load can be adjusted at the unit.

**Material:** Housing made of shock-resistant plastic material, rope of stainless steel

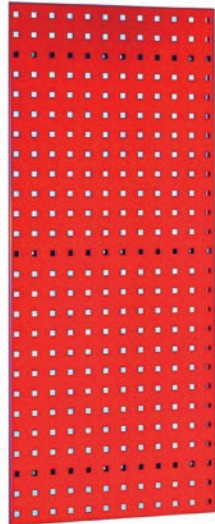
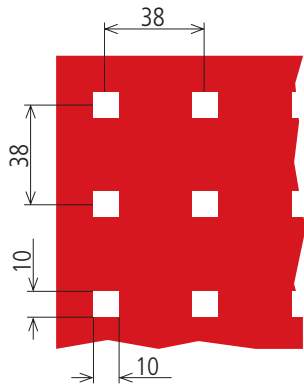


Code No.	Range of supporting load	Rope pull	Weight
WAC042000161	0,5 - 1,5 kg	1,7 m	0,3 kg
WAC042000162	1,5 - 3,0 kg	1,7 m	0,4 kg
WAC042000163	3,0 - 4,0 kg	1,7 m	0,5 kg



# Attachment components

## Perforated Boards

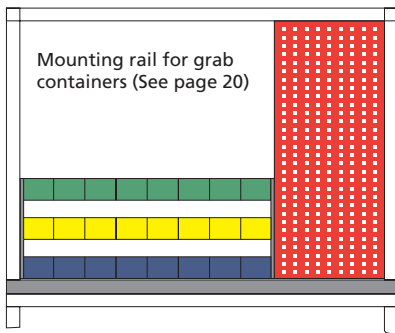


The perforated metal boards can be mounted as covering or tool holder on the gantry. The metal sheets have a shock and scratch-resistant coating (RAL 3003).

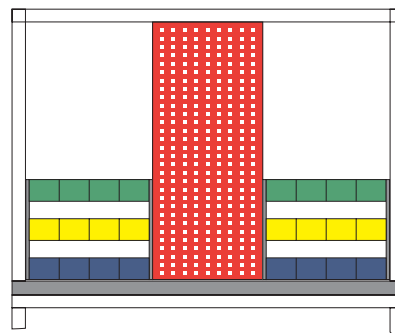
Dimensions 450 x 1,000 mm,  
Metal sheet thickness 1.5 mm

The perforated boards can be mounted on the gantry frame as required (LH or RH, central, RH and LH). Additionally to the perforated boards, for instance, the mounting rails for grab containers (see page 20) are recommended to be installed. In this way, tools and assembly material is in optimal operation radius.

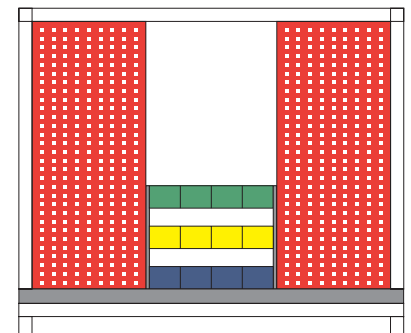
## Possible arrangements:



RH or LH  
(min table width >845 mm)



Centre  
(min table width >1335 mm)



RH & LH  
(min table width >1400 mm)



Mounting kit



Code No.	Type
WAC042000134	perforated boards 450 x 1000 mm
WAC042000149	mounting kit (kit of four)

**Tool holder**

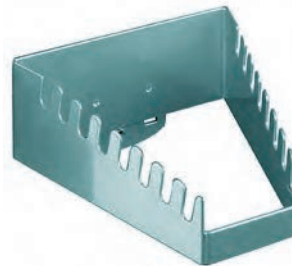
The tool holders bring order and overview into the workstation. These holders can be used in the perforated boards shown on page 18.

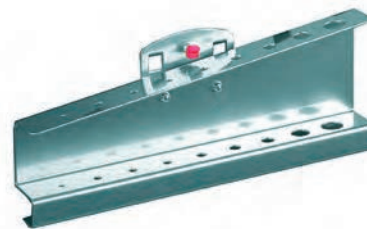
Shock- and scratch resistant plastics coating, base plate thickness 1.5 mm, aluminium coloured.

**With inclined hook-end, L=50**

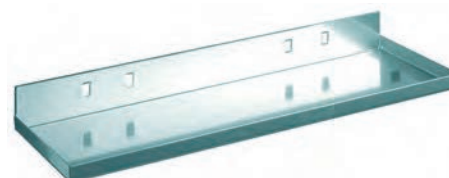
**Code No.**
**WAC042000097**
**Grab container - holder**

**Code No.**
**WAC042000104**
**Double, with inclined hook-end, L=50**

**Code No.**
**WAC042000098**
**Wrench holder, 8 times**

**Code No.**
**WAC042000101**
**Magnetic holder, D=40**

**Code No.**
**WAC042000099**
**Hexagon socket wrench holder, D=1-11**

**Code No.**
**WAC042000102**
**Pliers-holder, B=55/T=20**

**Code No.**
**WAC042000100**
**Machine holder, D=60**

**Code No.**
**WAC042000103**
**Shelf board, B=350, T= 125**

**Code No.**
**WAC042000105**

# Attachment components

## Grab containers

Plastic containers for storing assembly material, different colours and sizes available.



Code No.	Type	Colour
WAC042000114	170x100x50 mm (0,5 litres)	blue
WAC042000112		green
WAC042000111		yellow
WAC042000113		red
WAC042000119	160x100x75 mm (0,9 litres)	blue
WAC042000117		green
WAC042000116		yellow
WAC042000118		red
WAC042000124	230x150x122 mm (2,7 litres)	blue
WAC042000122		green
WAC042000121		yellow
WAC042000123		red

## Mounting profile for grab containers

The grab containers can be easily hinged into the profile groove and then they are positioned. If necessary, the mounting profile can also be ordered with mounting kit swivelling containers.

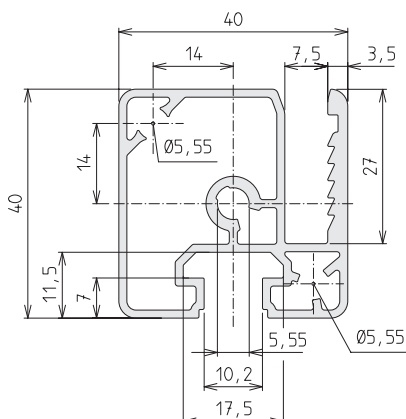
Mounting kit swivelling ( $\pm 30^\circ$ )



**Material:** Aluminium profile, natural anodised

**Weight:** 1095 g/m

**Blank cut of rods for swivelling containers - mounting kit:**  
Clear span -8 mm



Code No.	Type
WAC5001	rod 2 m each
WAC5000	cut on request, max. 2 m
2x 4566701	mounting kit
2x WAC042000138	mounting kit, swivelling
2x WAC042000137	clamping lever for mounting kit, swivelling



## Material panel

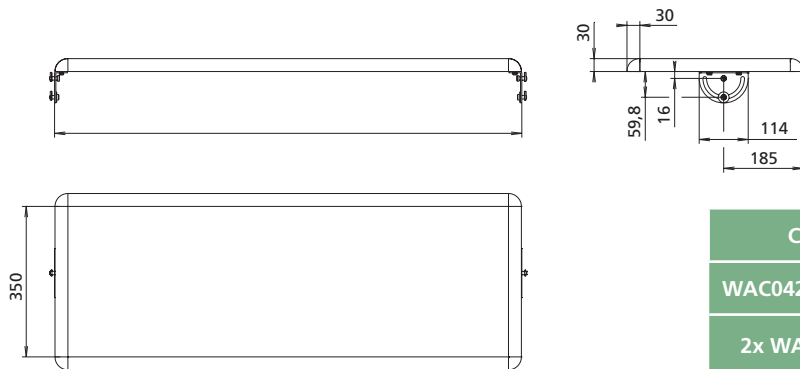
The material panel serves for holding the grab containers, tools or other technical aids. The panel can be mounted to the gantry at any height and can be swivelled, if necessary, in longitudinal direction.



**Supported load:** max. 40 kg

**Swing range:** ± 90°

Mounting kit, clamping lever (optional) for adjusting its inclination



Code No.	Type
WAC042000017	material panel
2x WAC042000144	mounting kit with screws
2x WAC042000145	clamping lever for mounting kit

Length (clear span)

## Swivelling material rail

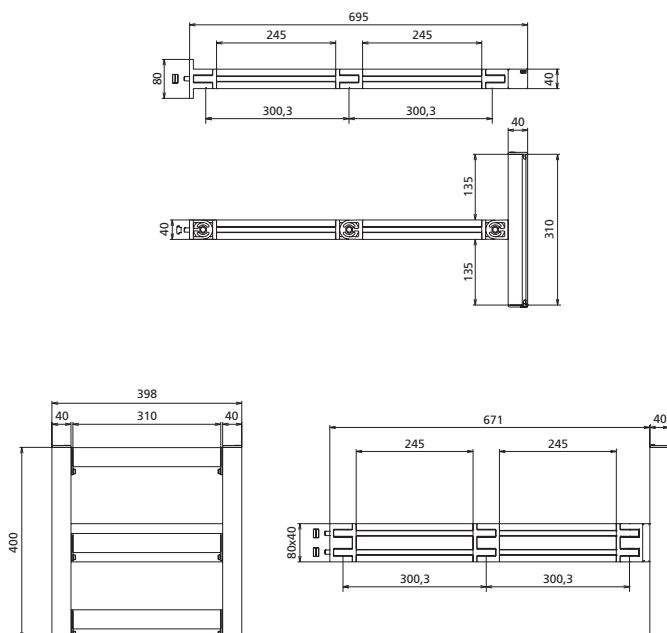
The swivelling material rails can be equipped with grab containers (See page 20) and if required, they can be pulled to the ergonomically best working position.

**Supported load:**

1 material rail max. 10 kg

3 material rails max. 20 kg

**Swing range:** per hinge 180°



1 material rail (static)



3 material rails (swivelling)

Code No.	Type
WAC042000056	1 material rail
WAC042000057	3 material rails



# Attachment components

## Document holder

The document holder (10 times, DIN A4) can be mounted on the gantry using the mounting kit that comes with the delivery. Drawings, mounting instructions and other important documents are always within an ergonomically easy reach.



Code No.	Type
WAC042000024	document holder

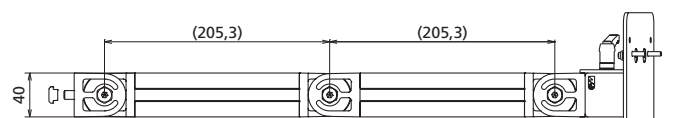
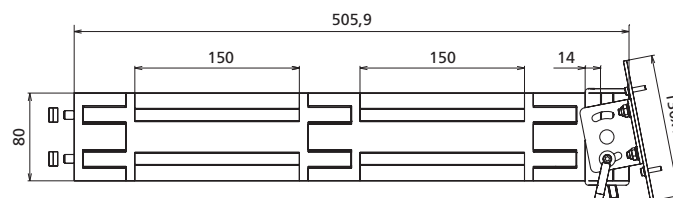
## Monitor holder

The monitor holder is a space saving and ergonomic solution for your LCD monitor. The holder is infinitely variably in height and inclination. In the scope of delivery, there is a mounting kit for the connection to the workstation profile as well as a mounting plate with VESA-holes (75 x 75 and 100 x 100 mm) included.

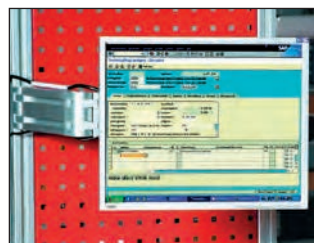
**Swing range:** per hinge 180°

**Inclination:** ±10°

**Supporting force:** max. 15 kg



Code No.	Type
WAC042000125	monitor holder



## Drawer cabinet

Workbench-drawer cabinet made from powder coated quality steel sheet. The drawers can be locked by a central lock.

Load max. 50 kg.

There is a mounting kit included in the scope of delivery.

**Colour:** Front RAL 3003

Housing RAL 7035



Please pay attention to the necessary minimum width of the assembly workstations.

**Static Table:**

2 cabinets are possible for a table width of >1500 mm

**Two-column system:**

1 cabinet is possible for a table width of >1000 mm

2 cabinets are possible for a table width of >1600 mm

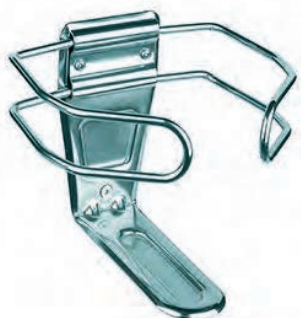
Code No.	Type	W x H x D	Height of drawers
WAC042000026	with two drawers	527 x 382 x 500 mm	2x 150 mm
WAC042000027	with three drawers	527 x 382 x 500 mm	3x 100 mm

## Cup holder

The holder can be mounted directly to the profile groove. Beverages can be put at a defined position and do not interfere the assembly work. So it can be avoided that workpieces become dirty by spilling beverages.

The corresponding mounting kit is supplied with the unit.

**Material:** Zinc-plated steel



Code No.	Type
WAC042000021	cup holder

# Attachment components

## Bench vice



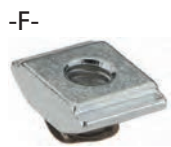
Bench vice with milled and surface-hardened clamping jaws, the hardened keyway is adjustable. It has a dimension scale for fast pre-setting of the clamping jaws. The vice is equipped with a large hardened anvil face for alignment and upset works.

**Jaw width:** 120 mm

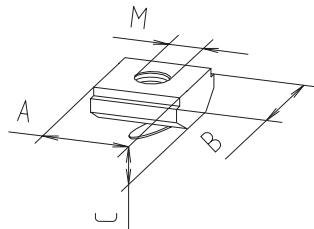
**Gewicht:** ca. 10 kg

Code No.	Type
WAC04200031	vice
WAC042000164	mounting kit

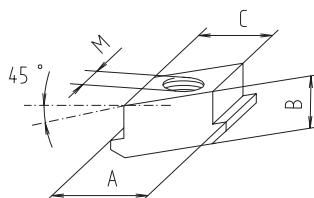
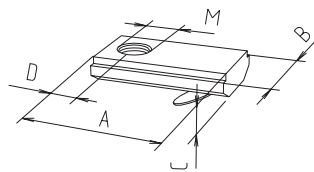
## Slot stones



Spring clip

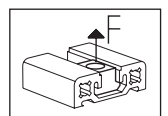
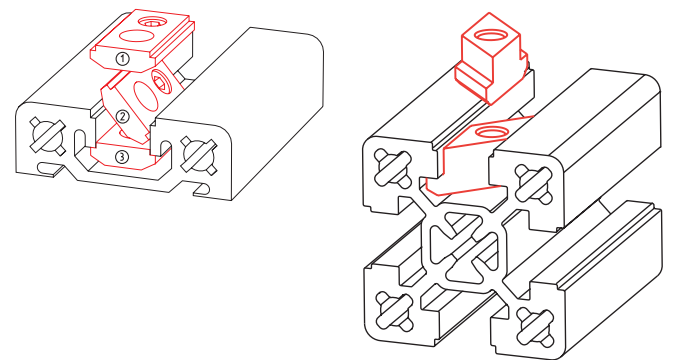


Spring clip



The slot stones can also subsequently be placed or inserted into the profile groove. The slot stone with spring clip (type -F/-K-) can be fixed at any desired position and guarantees a perfect support even in vertical position.

**Material:** Zinc-plated steel



Code No.	Type	A	B	C	D	M	F [N]
4006715	-F- / M4	10	14	4	-	M4	3500
4006713	-F- / M5	10	14	4	-	M5	4000
4016212	-K- / M6	21	14	4	7	M6	5000
4016213	-K- / M8	21	14	4	7	M8	8000
4026221	-R- / M6	15	9	10	-	M6	8000
4026222	-R- / M8	15	9	10	-	M8	8000

## Foot rest

Foot rests provide for correct and relaxed sitting (relaxation of leg muscles) which has a positive effect on work performance. There are various designs available.



for permanent installation  
(only for the static table)



adjustable



Code No.	Type	Tread plate	Adjustable height	Inclination
WAC042000030	permanent installation	500x500 mm	200-350 mm	10°
WAC042000028	adjustable	500x300 mm	120-410 mm	20°

## Sitting/standing aid

Height adjustment: Seat height 650-850 mm  
 Seat type: Disc foot  
 Colour: anthracite  
 Dimensions: Disc foot diameter 470 mm  
 Material: Integral foam



Further versions are available on request.

Code No.	Type
WAC042000032	Sitting/standing aid



## ESD-table top mat



Two-layer compound coating, made from wear-resistant, synthetic rubber, resistant against soldering tin, high temperatures, abrasion, non-halogenated, permanently elastic, volume conductive.

Incl. two snap-fasteners 10 mm.

Typical leak resistance

RG=  $10^6$ - $10^7$  Ohm

Code No.	Type
WAC042000087	900 x 610 mm
WAC042000088	1220 x 610 mm

## ESD-wrist strap



Adjustable and elastic wrist strap without metal contact plate, anti-allergenic, snap fasteners 3 mm.

As accessory, there is a highly elastic helix cable (2.4 m) with 2x 1 MOhm electrical safety resistance.

Wrist strap connection

3 mm snap fastener

Connection to earth contact



Code No.	Type
WAC042000089	wrist strap
WAC042000090	helix cable 2,4 m

## ESD-earthing box



Box as central earthing point connection (EBP-Earth Bonding Point) for personal grounding Earth wire 2 m long. Mode of connection 4 mm eye-let bolt, per connection 1 MOhm safety resistance. 2x 10 mm snap fastener, 1x 4 mm safety bush.

Code No.	Type
WAC042000091	earthing box

### ESD-central earthing connecting strip

Central connecting strip for the connection of maximal six earth wires with threaded terminals for cable lugs with 4 mm eyes.



Code No.	Type
WAC042000092	central earthing connecting strip

### ESD-earth component

Dummy plugs for two-pin grounded plugs for direct earthing of table mats and floor covering or central earthing connecting strip.  
With 2.4 m helix cable,  
1 MOhm safety resistance,  
10 mm snap fastener.



Code No.	Type
WAC042000094	2,0 m smooth cable
WAC042000093	2,4 m helix cable

### ESD-earthing cable

Earthing cable for table /floor covering.  
Smooth cable with 1 MOhm safety resistance,  
10 mm snap fastener,  
4 mm eyelet bolt



Code No.	Type
WAC042000095	1,5 m cable
WAC042000096	3,0 m cable

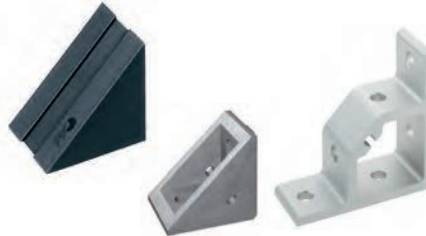
# Accessories

Please find further accessories and aluminium profiles in our main catalogue "Profile Technology BLOCAN®"

Slot stones



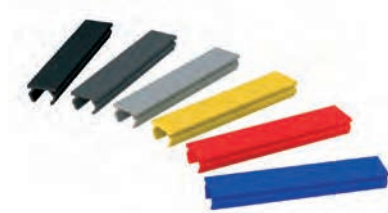
Angle brackets



Bracing plates



Cover profile



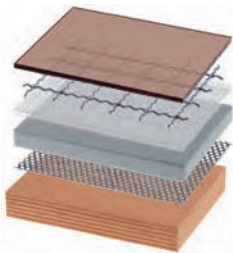
End covers



Overhead slide



Surface elements



Framing profile



Vario-Quick



Feet



End/connecting plate



Foot angle



Castors



Profile joints



Clamps



Pipe clamp

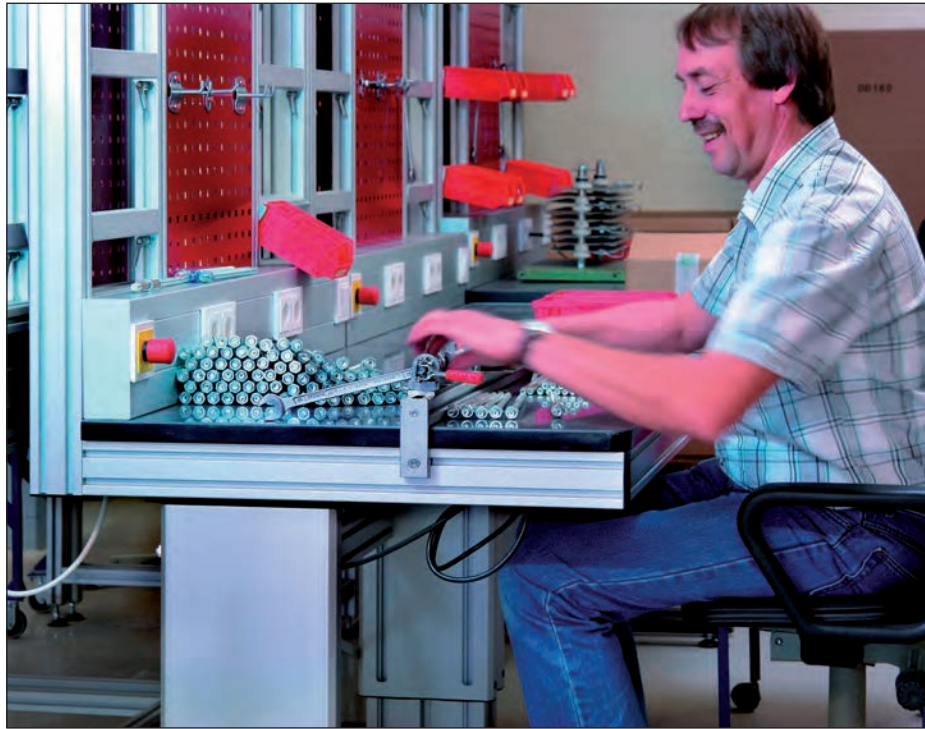


Hinges



Cable channel system





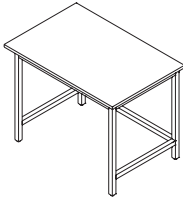


# RK Easywork Workstation Configuration

Inquiry     Order

## Table version

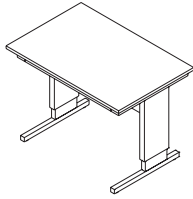
Height: 750-1250mm  
Width: 750-2000mm  
Depth: 600-1200mm



Static

Height:  728-1038mm  
 773-1128mm  
 828-1235mm  
 873-1326mm

Width: 750-2000mm  
Depth: 740-1200mm



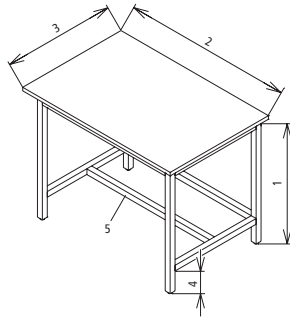
Electr. height adjustm-2 column system

## Table frame

Visual sides closed     On 4 sides grooves in profile

## Table dimension

1. Height \_\_\_\_\_
2. Width (Standard 1200/1600/2000mm) \_\_\_\_\_
3. Depth (Standard 800mm) \_\_\_\_\_
4. Floorclearance for static design (50-300 mm) \_\_\_\_\_
5. Cross brace (only for static design)

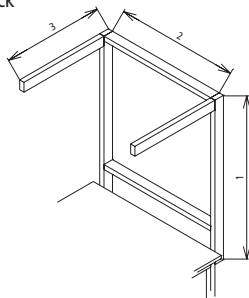


## Work desk

- Chip board coated, grey 23 mm     Chip board coated, grey, 22 mm, melamine
- Beech, multiplex, oiled, 30 mm     Beech, multiplex, oiled, 40 mm
- ESD-protective table top mat     900x610 mm     1220x610 mm

## Visual cover

- Chip board, coated (melamine) grey     Trespa silver grey
- Without panel element
- left     right     at the back



## Gantry

1. Gantry height (1255-1500 mm) \_\_\_\_\_
2. Gantry width (internal side, see sketch) depends on the desk width.
3. Gantry depth (300-800 mm) \_\_\_\_\_

## Gantry accessories

- \_\_\_ pcs cup holder
- \_\_\_ pcs swivelling grab container holder 1 rail
- \_\_\_ pcs swivelling grab container holder 3 rails

- Document holder 10 times, DIN A4
- Monitor holder LH     Monitor holder RH

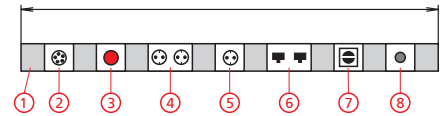
## System lamp

Voltage  230 V (D,F,CH,GB)

- Lamp -centre-     Lamp -RH/LH-

- Lamps individually switchable (with this, the socket strip is absolutely required)

## Socket strip



Voltage  230 V (D)     230 V (F)     230 V (CH)     230 V (GB)

1. Energy-supply channel \_\_\_\_\_ mm
2. Number of sockets CEE 400 V \_\_\_ pcs
3. Emergency stop     4. Number of double sockets (0-2) \_\_\_ pcs
5. Number of single sockets (0-4) \_\_\_ pcs
6. Network terminal RJ 45
7. On/Off-switch-sockets
8. Number of pneumatic connections (0-2) \_\_\_ pcs Type NW-7.2

Note: Maximum total load for all sockets 3.4 KW

## Tool provision

- Runner profile
- Balancer (only in connection with a runner)

Range of supporting load  0,3-1,5 kg     1,5-3,0 kg     3,0-4,0 kg

## Grab container on gantry

- Rail system     Material panels

Rails in combination with perforated boards:

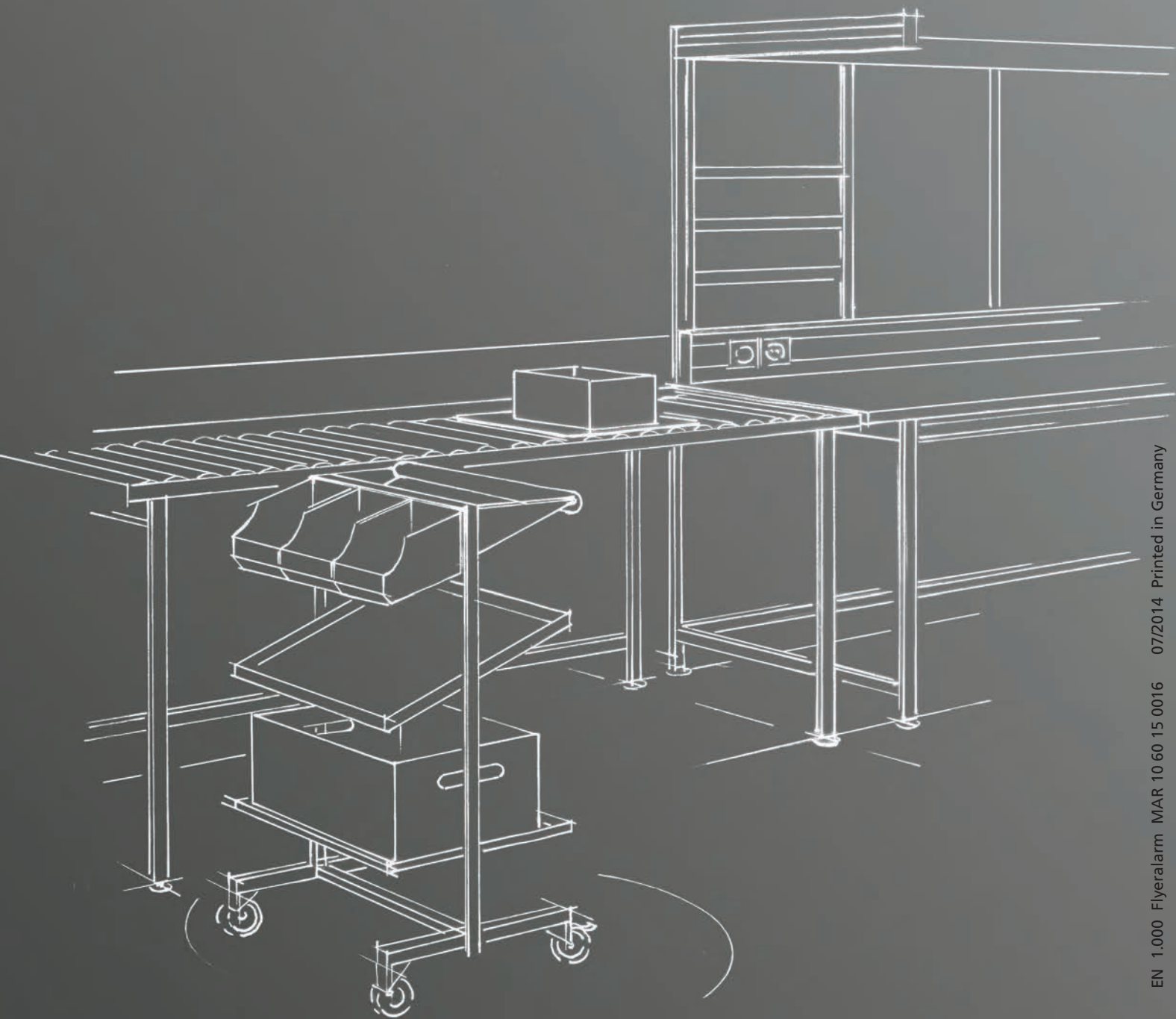
- LH (min table width >845 mm)     RH (min table width >845 mm)



- Centre (min table width >1335mm)     LH & RH (min table width >1040 mm)







EN 1.000 Flyeralarm MAR 10 60 15 0016 07/2014 Printed in Germany



**RK ROSE+KRIEGER**

A Phoenix Mecano Company

Connecting and positioning systems

RK Rose+Krieger GmbH  
Postfach 15 64  
D-32375 Minden  
Telefon: +49 5 71 93 35-0  
Telefax: +49 5 71 93 35-119  
e-Mail: [info@rk-online.de](mailto:info@rk-online.de)  
Web: [www.rk-rose-krieger.com](http://www.rk-rose-krieger.com)