

Multi-Jet wet type cold water meter improved by Teksan experience



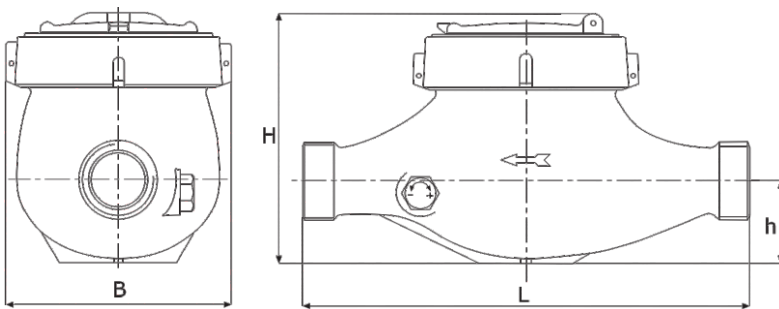
- Multi-jet wet type
- 360°C rotatable cover.
- Display on 5 drums for m³ and 4 pointers for litres
- Optional check valve
- Measuring range up to R160
- Brass housing
- Water temperature up to 50°C



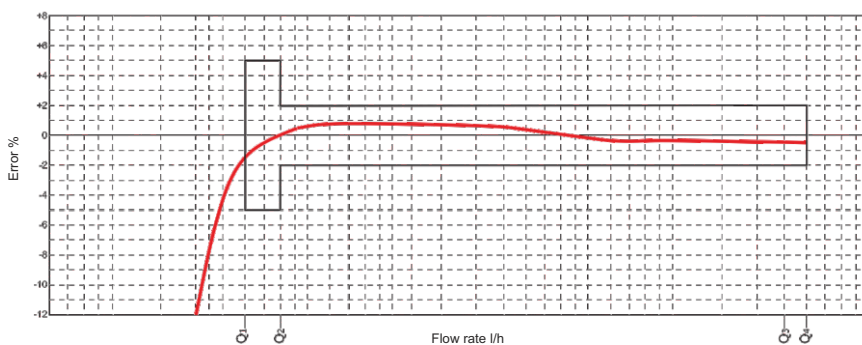
Technical Specifications

	DN	mm	15	20
Nominal flow rate	Q ₃	m ³ /h	2,5	2,5
Maximum flow rate	Q ₄	m ³ /h	3,125	3,125
Minimum flow rate	Q ₁	l/h	31,2/25/15,6	31,2/25/15,6
Transition flow rate	Q ₂	l/h	50/40/25	50/40/25
Maximum working pressure	P _{max}	bar	16	16
Pressure loss (max.Q3)	ΔP	bar	0,40	0,40
Maximum working temperature	T _{max}	°C	50	50
Measuring range	Q ₃ / Q ₁	R	80/100/160	80/100/160
Overall length	l	mm	165	190
Maximum register indication		m ³	99,999	99,999
Verification scale interval		l	0,05	0,05
Width	B	mm	95	95
Total height	H	mm	105	105
Height to pipe axis	h	mm	34	34
Connection thread of meter	-	-	G3/4B	G1B
Nominal size	DN	mm	15	20
Piping dimensions	-	-	G1/2B	G3/4B
Weight	-	kg	1,200	1,260
Installation position	-	-	H	H

Dimensions



Error Curve



Pressure Loss

