



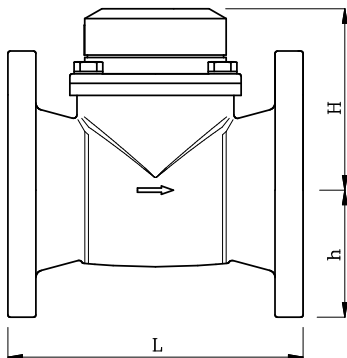
Turbine water meter

- Hermetically sealed register (IP68)
- Display on 7 drums for m³
- Magnetic protection
- DN50 - DN100
- Register maybe rotated through 360°
- Optional pulse, M-bus, radio frequency output
- GG25 Cast iron housing
- Powder coating ensures maximum corrosion protection
- Low head loss
- Water temperature up to 30°C

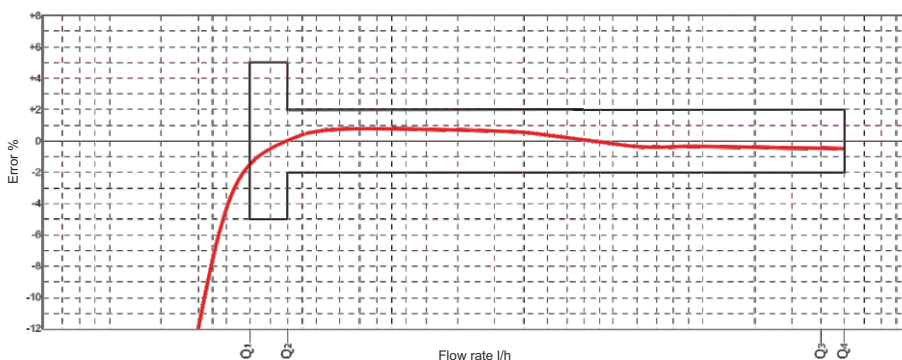
Technical Specifications

| | | | WS-DN50 | WS-DN65 | WS-DN80 | WS-DN100 |
|-------------------------------|---------------------------------|-------------------|-----------|-----------|-----------|-----------|
| Nominal diameter | DN | mm | 50 | 65 | 80 | 100 |
| Nominal flow rate | Q ₃ | m ³ /h | 25 | 40 | 63 | 100 |
| Maximum flow rate | Q ₄ | m ³ /h | 31,250 | 50 | 78,750 | 125 |
| Minimum flow rate | Q ₁ | m ³ /h | 0,3125 | 0,50 | 0,7875 | 1,250 |
| Transitional flow rate | Q ₂ | m ³ /h | 0,500 | 0,800 | 1,260 | 2 |
| Maximum working pressure | P _{max} | bar | 16 | 16 | 16 | 16 |
| Pressure loss (max.Q3) | ΔP | bar | 0,25 | 0,25 | 0,25 | 0,25 |
| Maximum working temperature | T _{max} | °C | 30 | 30 | 30 | 30 |
| Measuring range | Q ₃ / Q ₁ | R | 80 | 80 | 80 | 80 |
| Overall length | l | mm | 200 | 200 | 225 | 250 |
| Maximum register indication | | m ³ | 9.999.999 | 9.999.999 | 9.999.999 | 9.999.999 |
| Verification scale interval | | m ³ | 0,001 | 0,001 | 0,001 | 0,001 |
| Height | H | mm | 175 | 175 | 175 | 175 |
| Height of centerline | h | mm | 82 | 90 | 100 | 110 |
| Nominal installation diameter | DN | mm | 50 | 65 | 80 | 100 |
| Weight | - | kg | 8,5 | 10,5 | 14,5 | 19 |

Dimensions



Error Curve



Pressure Loss

