



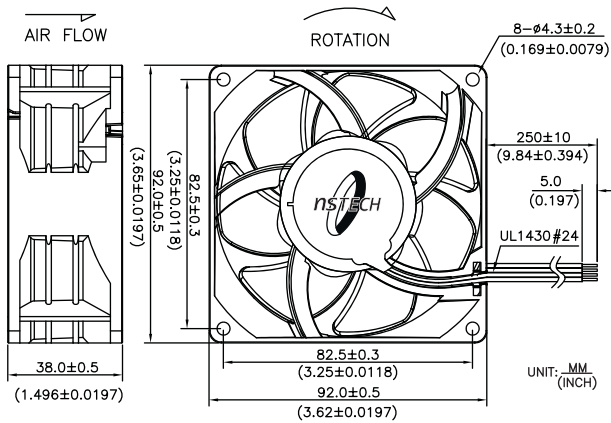
# Excellence Series (PE) 92mmx92mmx38mm



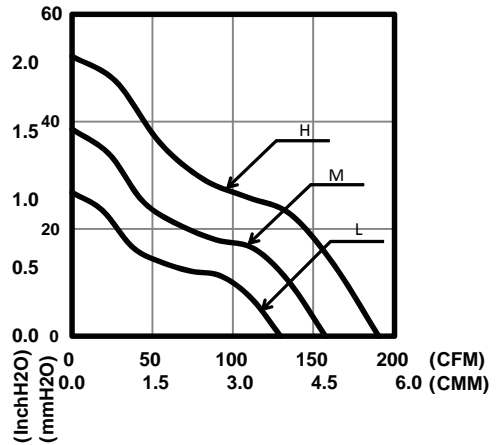
- Bearing Type : Ball Bearing
- Function Type (Optional): FG Signal, RD Signal, PWM
- Protection :  
Auto Restart Protection, Polarity Reverse Protection
- Lead Wire :  
UL 1430 AWG #24 OR Equivalent  
Red Wire : Positive (+)  
Black Wire : Negative (-)  
Yellow Wire : FG Signal, RD Signal  
Blue Wire : PWM



## ★ Dimensions Drawing



## ★ Performance Curves



| Specification |               |               |                   |               |               |             |             |          |       |                    |                    |       |
|---------------|---------------|---------------|-------------------|---------------|---------------|-------------|-------------|----------|-------|--------------------|--------------------|-------|
| Model         | Function Type | Rated Voltage | Operating Voltage | Rated Current | Input Current | Input Power | Rated Speed | Air Flow |       | Air Pressure       |                    | Noise |
|               |               | VDC           | VDC               | Amp           | Amp           | Watt        | RPM         | CMM      | CFM   | mmH <sub>2</sub> O | InH <sub>2</sub> O | dBA   |
| PEAD19238BL   | P000/PF00     | 12            | 6~13.8            | 1.88          | 1.50          | 18.00       | 6200        | 3.66     | 129.4 | 26.80              | 1.05               | 55.0  |
| PEAD19238BM   | PR00/M000     | 12            | 6~13.8            | 2.88          | 2.30          | 27.60       | 7500        | 4.46     | 157.4 | 38.54              | 1.52               | 59.0  |
| PEAD19238BH   | MF00/MR00     | 12            | 6~13.8            | 5.00          | 4.00          | 48.00       | 9000        | 5.40     | 190.5 | 52.19              | 2.05               | 65.0  |
| PEAD29238BL   | P000/PF00     | 24            | 16~27.6           | 0.84          | 0.67          | 16.08       | 6200        | 3.66     | 129.4 | 26.80              | 1.05               | 55.0  |
| PEAD29238BM   | PR00/M000     | 24            | 16~27.6           | 1.44          | 1.15          | 27.60       | 7500        | 4.46     | 157.4 | 38.54              | 1.52               | 59.0  |
| PEAD29238BH   | MF00/MR00     | 24            | 16~27.6           | 2.50          | 2.00          | 48.00       | 9000        | 5.40     | 190.5 | 52.19              | 2.05               | 65.0  |
| PEAD49238BL   | P000/PF00     | 48            | 30~55.2           | 0.45          | 0.36          | 17.28       | 6200        | 3.66     | 129.4 | 26.80              | 1.05               | 55.0  |
| PEAD49238BM   | PR00/M000     | 48            | 30~55.2           | 0.69          | 0.55          | 26.40       | 7500        | 4.46     | 157.4 | 38.54              | 1.52               | 59.0  |
| PEAD49238BH   | MF00/MR00     | 48            | 30~55.2           | 1.19          | 0.95          | 45.60       | 9000        | 5.40     | 190.5 | 52.19              | 2.05               | 65.0  |

\* Function type is optional  
 \* The data shows typical value at rated voltage  
 \* Sound level is measured at the distance of one meter from fan intake side  
 \* Specifications are subject to change without notice