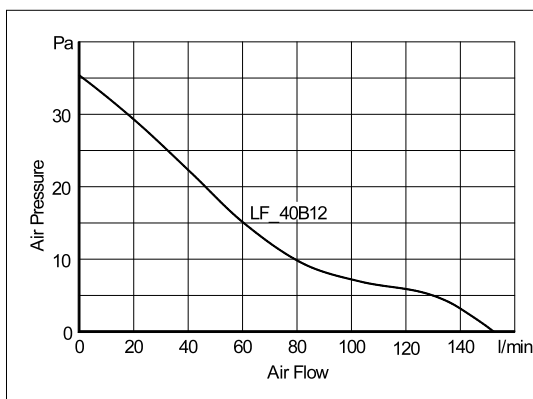


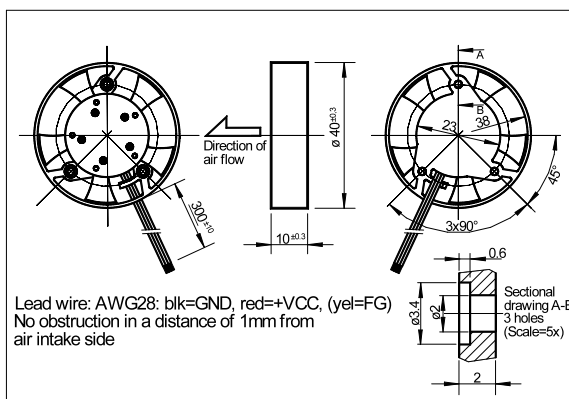
**LF\_40B12, LF\_40B12A**  
**ROUND-SHAPED HIGH PERFORMANCE FAN**



**AIR PERFORMANCE**



**DIMENSIONS**



**PERFORMANCE (preliminary)**

<b>CE</b>		<b>LF_40B12, LF40_R12A</b>
Operating Voltage	[V]	10.8 ... 12.0 ... 13.2
Typ. Operating Current	[mA]	45
Max. Start Current	[mA]	105
Max. Air flow	[l/min - m <sup>3</sup> /h]	152 – 9.1
Max. Pressure	[mmH <sub>2</sub> O - Pa]	3.6 – 35.3
Typ. Noise @ 1m	[dB(A)]	18
Operating Temperature (non blocking rotor)	[°C]	-20...+80
Life expectancy L <sub>10</sub> /MTBF	[h]	60000/140000 @20°C
Typ. Rotor speed	[min <sup>-1</sup> ]	6650
Pulse Output (MF_40R12A)	[Imp/U]	2
Bearing System		Longlife-Sleeve bearing
Weight	[g]	10
Packing Quantity	[Pcs]	50 - 100 - 500

This **SEPA**<sup>®</sup> high-tech miniature fan is suitable for industrial use, especially for LED cooling, and has a remarkable air flow performance despite its small dimensions. Due to a nearly linear air performance characteristic and the very low power consumption, the fan is applicable for different uses. It is permanently protected electrically against reverse polarity, blocking and thermal overload. Due to the low rotor weight and precision balancing, it is virtually vibration-free. It is also insensitive to shock.

Further features of this fan are its extremely robust and torsionally stiff plastic housing of PBT (UL E54695), long-life sleeve bearing, polyester-based PCB (UL E44247) and absolute reliability due to a 100% burn-in.

Technical changes without notice • 03/12

• **ALARM SIGNAL (Optional)**

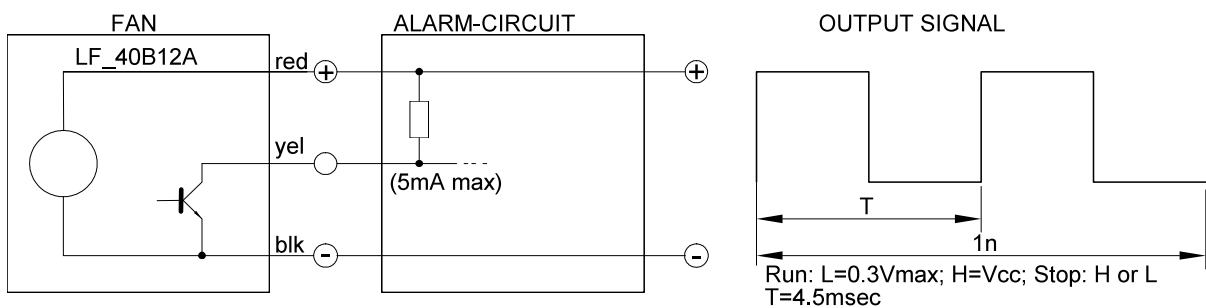
The **SEPA**® fan LF\_40B12A includes a pulse output which allows monitoring the correct function of the fan.

The pulse is like a rectangular wave, the frequency correlates to 2x rotor speed. At blocked rotor the output signal could be L ( $\leq 0.3V$ ) or H.

**IMPORTANT:** The pulse output is *not* protected against short circuit and must not connect to GND or Vcc without pre-resistor.

The fans LF\_40B12(A) have tinned lead wires (without connector).

Do not touch rotor! Please note the handling instructions!



• **ACCESSORIES:**

VARP01                      Speed control via temperature  
Connector:                      On request

• **ORDER INFORMATION:**

LF\_40B12 **SEPA**® Miniature fan, 40x40x10mm, 5VDC, Long-life sleeve bearing, **CE** 5040B2000  
LF\_40B12A **SEPA**® Miniature fans, 40x40x10mm, 5VDC, Longlife sleeve bearing, **CE** 5040B2010