



DryLin® R
Linear Plain Bearings

Phone +49 - 22 03 - 96 49-145
Fax +49 - 22 03 - 96 49-334

DryLin® R – Linear Plain Bearings – Fast and Quiet



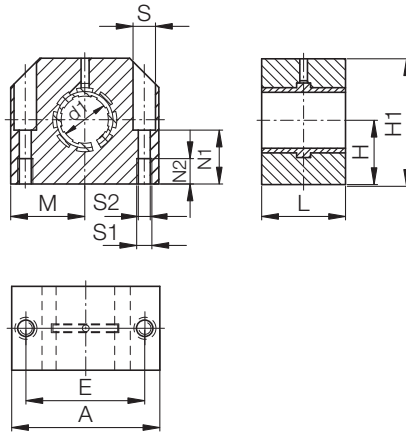
- Corrosion resistant
- Wear resistant
- Resistant to contaminants
- Low coefficient of friction
- Extremely quiet operation
- Light weight

Information icon (i)

mm

Inch

DryLin® R | Pillow Block RJUM-05 | mm



Structure – part no.
R J U M - 05-16

- Diameter
- P. block short
- Metric
- Liner
- iglidur® J
- Closed



DryLin® R
mm

Special properties

- Closed, anodized aluminium pillow block, short design
- Liner JUM-02 made of iglidur® J is fitted according to standard tolerances
- Recommended tolerance for the shaft: h6–h10 (see igus® shafts ► **chapter 65**)
- Also available with following liners:
 - XUM-02: for high temperatures, material iglidur® X – Example: RXUM-05-16
 - JUM-12: with reduced maximum clearance, material iglidur® J – Example: RJUM-15-16

* According to igus® testing method

► **Page 64.37**

**Nominal diameter under 10 mm are delivered with pressfit sleeve bearings

Available from stock

Inner Diameter, Load Capacity and Weight

Part No.	Shaft Ø [mm]	Tolerance* Bearing Inner Diameter [mm]	pmax. [N] Dynamic Load P = 5 MPa	pmax. [N] Static Load P = 35 MPa	Weight [g]
RJZM-05-08**	8	0,032 - 0,070	960	6720	46
RJUM-05-10	10	0,030 - 0,088	650	4550	71
RJUM-05-12	12	0,030 - 0,088	840	5880	78
RJUM-05-16	16	0,030 - 0,088	1200	8400	106
RJUM-05-20	20	0,030 - 0,091	1500	10500	132
RJUM-05-25	25	0,030 - 0,091	2500	17500	253
RJUM-05-30	30	0,040 - 0,110	3750	26250	374
RJUM-05-40	40	0,040 - 0,115	6000	42000	713
RJUM-05-50	50	0,050 - 0,130	8750	61250	1168

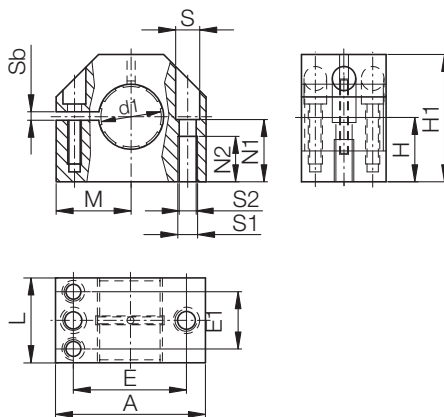
Dimensions [mm]

Part No.	d1	H	H1	A	M	E	S	S1	S2	N1	N2	L
	[mm]	[mm]	[mm]	[mm]	[mm]	[mm]	[mm]		[mm]	[mm]	[mm]	[mm]
		+0,01				±0,15						
		-0,014										
RJZM-05-08**	8	14	27	32	16,0	23	6,0	M 4	3,4	13	9	24
RJUM-05-10	10	16	33	40	20,0	29	8,0	M 5	4,3	16	11	26
RJUM-05-12	12	17	33	40	20,0	29	8,0	M 5	4,3	16	11	28
RJUM-05-16	16	19	38	45	22,5	34	8,0	M 5	4,3	18	11	30
RJUM-05-20	20	23	45	53	26,5	40	9,5	M 6	5,3	22	13	30
RJUM-05-25	25	27	54	62	31,0	48	11,0	M 8	6,6	26	18	40
RJUM-05-30	30	30	60	67	33,5	53	11,0	M 8	6,6	29	18	50
RJUM-05-40	40	39	76	87	43,5	69	15,0	M10	8,4	38	22	60
RJUM-05-50	50	47	92	103	51,5	82	18,0	M12	10,5	46	26	70





DryLin® R | Pillow Block RJUME-05 | mm



Structure – part no.
RJUME-05-12



- Diameter
- P. block short
- Adjustable
- Metric
- Liner
- iglidur® J
- Closed



mm

DryLin® R

Phone +49 - 22 03 - 96 49-145
Fax +49 - 22 03 - 96 49-334

igus® GmbH
51147 Cologne

Internet www.igus.de
E-mail info@igus.de

64.24

Special properties

- Adjustable, anodized aluminium housing, short design
- Liner JUM-02 made of iglidur® J
- With adjustable clearance for shaft diameters 12 to 50 mm
- Recommended tolerance for the shaft: h6-h10 (see igus® shafts ► **chapter 65**)
- Also available with following liners:
 - XUM-02: for high temperatures, material iglidur® X – Example: RXUME-05-16
 - JUM-12: with reduced maximum clearance, material iglidur® J – Example: RJUME-15-16

* According to igus® testing method

► **Page 64.37**

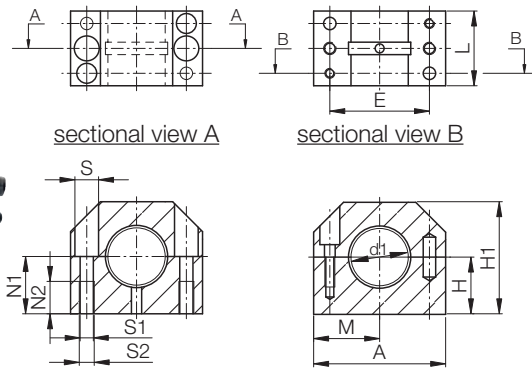
Available from stock

Inner Diameter, Load Capacity and Weight

Part No.	Shaft Ø [mm]	Tolerance Bearing Inner Diameter [mm]	pmax. [N]		Weight [g]
			Dynamic Load P = 5 MPa	Static Load P = 35 MPa	
RJUME-05-12	12	adjustable	840	5880	78
RJUME-05-16	16	adjustable	1200	8400	106
RJUME-05-20	20	adjustable	1500	10500	132
RJUME-05-25	25	adjustable	2500	17500	253
RJUME-05-30	30	adjustable	3750	26250	374
RJUME-05-40	40	adjustable	6000	42000	713
RJUME-05-50	50	adjustable	8750	61250	1168

Dimensions [mm]

Part No.	d1 [mm]	H [mm]	H1 [mm]	A [mm]	M [mm]	E [mm]	E1 [mm]	S [mm]	S1 [mm]	S2	Sb [mm]	N1 [mm]	N2 [mm]	L [mm]
		+0,01 -0,014				±0,15	±0,15							
RJUME-05-12	12	17	33	40	20,0	29	18,0	8,0	4,3	M 5	2	16	11	28
RJUME-05-16	16	19	38	45	22,5	34	19,0	8,0	4,3	M 5	2	18	11	30
RJUME-05-20	20	23	45	53	26,5	40	20,0	9,5	5,3	M 6	2	22	13	30
RJUME-05-25	25	27	54	62	31,0	48	25,5	11,0	6,6	M 8	2	26	18	40
RJUME-05-30	30	30	60	67	33,5	53	30,5	11,0	6,6	M 8	2	29	18	50
RJUME-05-40	40	39	76	87	43,5	69	36,0	15,0	8,4	M10	2	38	22	60
RJUME-05-50	50	47	92	103	51,5	82	44,0	18,0	10,5	M12	2	46	26	70



Structure – part no.
T J U M - 0 5 - 1 6

- Diameter
- P: block short
- Metric
- Liner
- iglidur® J
- Split



DryLin® R

mm

Special properties

- Split, anodized aluminium housing, short design
- Liner JUM-02 made of iglidur® J
- Fitting the bearing and replacement of the liner is possible without removing the shaft
- Recommended tolerance for the shaft: h6-h10 (see igus® shafts ► **chapter 65**)
- Also available with following liners:
 - XUM-02: for high temperatures, material iglidur® X – Example: RXUMT-05-16
 - JUM-12: with reduced maximum clearance, material iglidur® J – Example: TJUM-15-16

* According to igus® testing method

► **Page 64.37**

Available from stock

Inner Diameter, Load Capacity and Weight

Part No.	Shaft	Tolerance* Bearing Inner Diameter	pmax. [N] Dynamic Load P = 5 MPa	pmax. [N] Static Load P = 35 MPa	Weight [g]
	Ø [mm]				
TJUM-05-16	16	0,030-0,120	1200	8400	105
TJUM-05-20	20	0,030-0,120	1500	10500	137
TJUM-05-25	25	0,030-0,120	2500	17500	253
TJUM-05-30	30	0,040-0,135	3750	26250	377
TJUM-05-40	40	0,040-0,135	6000	42000	720

Dimensions [mm]

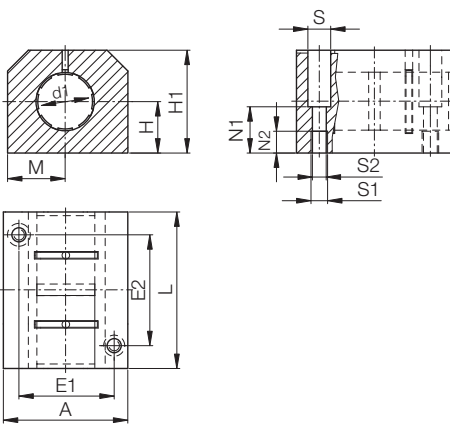
Part No.	d1 [mm]	H [mm]	H1 [mm]	A [mm]	M [mm]	E [mm]	S [mm]	S1	S2 [mm]	N1 [mm]	N2 [mm]	L [mm]
		±0,02				±0,15						
TJUM-05-16	16	19	38	45	22,5	34	8,0	M 5	4,3	18	11	30
TJUM-05-20	20	23	45	53	26,5	40	9,5	M 6	5,3	22	13	30
TJUM-05-25	25	27	54	62	31,0	48	11,0	M 8	6,6	26	18	40
TJUM-05-30	30	30	60	67	33,5	53	11,0	M 8	6,6	29	18	50
TJUM-05-40	40	39	76	87	43,5	69	15,0	M10	8,4	38	22	60



Phone +49 - 22 03 - 96 49-145
Fax +49 - 22 03 - 96 49-334



DryLin® R | Tandem Housing Bearing RJUMT-05 | mm



Structure – part no.
R J U M T-05-12



mm

DryLin® R

Phone +49 - 22 03 - 96 49-145
Fax +49 - 22 03 - 96 49-334

iglus® GmbH
51147 Cologne

Internet www.igus.de
E-mail info@igus.de

64.26

Special properties

- Tandem type of design
- Closed, anodized aluminium housing, long design
- 2 liners JUM-02 made of iglidur® J (Standard)
- Recommended tolerance for the shaft: h6-h10 (see iglus® shafts ► **chapter 65**)
- Also available with following liners:
 - XUM-02: for high temperatures, material iglidur® X – Example: RXUMT-05-16
 - JUM-12: with reduced maximum clearance, material iglidur® J – Example: RJUMT-15-16

* According to iglus® testing method

► **Page 64.37**

Available from stock



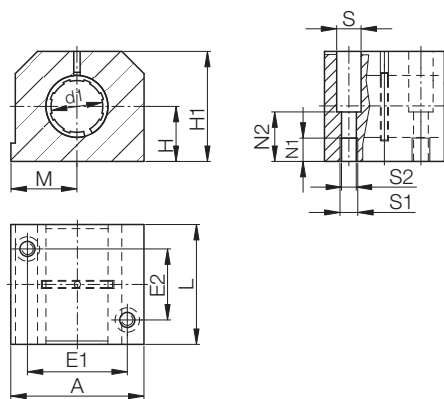
Inner Diameter, Load Capacity and Weight

Part No.	Shaft Ø [mm]	Tolerance* Bearing Inner Diameter [mm]	pmax. [N] Dynamic Load P = 5 MPa	pmax. [N] Static Load P = 35 MPa	Weight [kg]
RJUMT-05-12	12	0,03-0,088	840	5880	0,17
RJUMT-05-16	16	0,03-0,088	1200	8400	0,25
RJUMT-05-20	20	0,03-0,091	1500	10500	0,30
RJUMT-05-25	25	0,03-0,091	2500	17500	0,55
RJUMT-05-30	30	0,04-0,110	3750	26250	0,75
RJUMT-05-40	40	0,04-0,115	6000	42000	1,50
RJUMT-05-50**	50	0,05-0,130	8750	61250	2,40

Dimensions [mm]

Part No.	d1 [mm]	H [mm]	H1 [mm]	A [mm]	M [mm]	E1 [mm]	E2 [mm]	S [mm]	S1	S2	N1 [mm]	N2 [mm]	L [mm]
		+0,01 -0,014				±0,15	±0,15						
RJUMT-05-12	12	17	33	40	20	29	35	8,0	M 5	4,3	16,0	11	60
RJUMT-05-16	16	19	38	45	22,5	34	40	8,0	M 5	4,3	18,0	11	65
RJUMT-05-20	20	23	45	53	26,5	40	45	9,5	M 6	5,3	22,0	13	65
RJUMT-05-25	25	27	54	62	31	48	55	11,0	M 8	6,6	26,0	18	85
RJUMT-05-30	30	30	60	67	33,5	53	70	11,0	M 8	6,6	29,0	18	105
RJUMT-05-40	40	39	76	87	43,5	69	85	15,0	M 10	8,4	38,0	22	125
RJUMT-05-50**	50	47	92	103	51,5	82	100	18,0	M 12	10,5	46,0	26	145

** upon request



Structure – part no.
R J U M-06-12

-  Diameter
-  Std. p. block
-  Metric
-  Liner
-  iglidur® J
-  Closed



Special properties

- Closed, anodized aluminium housing, long version
- Liner JUM-01 made of iglidur® J is fitted as standard
- Recommended tolerance for the shaft: h6–h10 (see igus® shafts ► **chapter 65**)
- Also available with following liners:
 - XUM-01: for high temperatures, material iglidur® X – Example: RXUM-06-16
 - JUM-11: with reduced maximum clearance, material iglidur® J – Example: RJUM-16-16

* According to igus® testing method
► **Page 64.37**

Available from stock



Inner Diameter, Load Capacity and Weight

Part No.	Shaft Ø [mm]	Tolerance* Bearing Inner Diameter [mm]	pmax. [N] Dynamic Load P = 5 MPa	pmax. [N] Static Load P = 35 MPa	Weight [kg]
Standard Pillow Block					
RJUM-06-12	12	0,030 - 0,088	960	6720	0,121
RJUM-06-16	16	0,030 - 0,088	1440	10080	0,211
RJUM-06-20	20	0,030 - 0,091	2250	15750	0,323
RJUM-06-25	25	0,030 - 0,091	3625	25375	0,651
RJUM-06-30	30	0,040 - 0,110	5100	35700	1,050
RJUM-06-40	40	0,040 - 0,115	8000	56000	1,820
RJUM-06-50	50	0,050 - 0,130	12500	87500	3,250

Dimensions [mm]

Part No.	d1 [mm]	H [mm]	H1 [mm]	A [mm]	M [mm]	E1 [mm]	E2 [mm]	S [mm]	S1 [mm]	S2 [mm]	N1 [mm]	N2 [mm]	L [mm]
Standard Pillow Block		+0,01 -0,014				±0,15	±0,15						
RJUM-06-12	12	18	35	43	21,5	32	23	8,0	M 5	4,3	16,5	11	39
RJUM-06-16	16	22	42	53	26,5	40	26	10,0	M 6	5,3	21,0	13	43
RJUM-06-20	20	25	50	60	30,0	45	32	11,0	M 8	6,6	24,0	18	54
RJUM-06-25	25	30	60	78	39,0	60	40	15,0	M10	8,4	29,0	22	67
RJUM-06-30	30	35	70	87	43,5	68	45	15,0	M10	8,4	34,0	22	79
RJUM-06-40	40	45	90	108	54,0	86	58	18,0	M12	10,5	44,0	26	91
RJUM-06-50	50	50	105	132	66,0	108	50	20,0	M16	13,5	49,0	34	113

Plain bearings of series RJUM-06 can be combined with:



RGA-01:
► P. 64.42



RGA-03:
► P. 64.42



RJUM-06 LL:
► P. 64.28



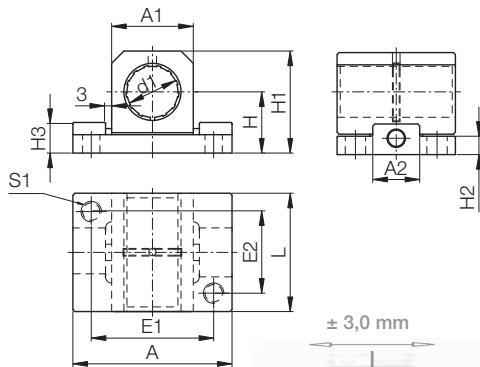
DryLin® R
mm

Phone +49 - 22 03 - 96 49-145
Fax +49 - 22 03 - 96 49-334





DryLin® R | Floating Pillow Block RJUM-06 LL | mm



Structure – part no.
RJUM-06-12 LL

- Floating
- Diameter
- Std. p. block
- Metric
- Liner
- iglidur® J
- Closed

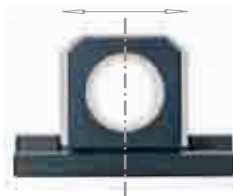


mm

DryLin® R

Special properties

- Same properties as standard pillow block RJUM-06
- Compensation of parallelism errors up to 6 mm
- Compensates for angular errors and bending of the shaft
- Also available with following liners:
 - XUM-01: for high temperatures, material iglidur® X – Example: RXUM-06-16 LL
 - JUM-11: with reduced maximum clearance, material iglidur® J – Example: RJUM-16-16 LL



* According to iglus® testing method

► Page 64.37

Available from stock

Phone +49 - 22 03 - 96 49-145
Fax +49 - 22 03 - 96 49-334

iglus® GmbH
51147 Cologne

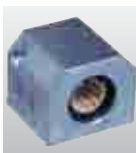
Inner Diameter, Load Capacity and Weight

Part No.	Shaft Ø [mm]	Tolerance* Bearing Inner Diameter [mm]	pmax. [N] static or dynamic	Weight [kg]
RJUM-06-12 LL	12	0,030 - 0,088	560	0,050
RJUM-06-16 LL	16	0,030 - 0,088	920	0,080
RJUM-06-20 LL	20	0,030 - 0,091	2100	0,130
RJUM-06-25 LL	25	0,030 - 0,091	3550	0,280
RJUM-06-30 LL	30	0,040 - 0,110	5300	0,430
RJUM-06-40 LL	40	0,040 - 0,115	8000	0,850
RJUM-06-50 LL	50	0,050 - 0,130	12500	1,550

Dimensions [mm]

Part No.	d1 [mm]	H [mm]	H1 [mm]	A [mm]	E1 [mm]	E2 [mm]	S1	L [mm]	A1 [mm]	A2 [mm]	H2 [mm]	H3 [mm]
RJUM-06-12 LL	12	18	28	43	32	23	M 5	32	20	13	6	11
RJUM-06-16 LL	16	22	35	53	40	26	M 6	36	26	15	7	11
RJUM-06-20 LL	20	25	41	60	45	32	M 8	45	32	19	7	12,5
RJUM-06-25 LL	25	30	50	78	60	40	M 10	58	40	23	9	15
RJUM-06-30 LL	30	35	59	87	68	45	M 10	68	48	28	10	15
RJUM-06-40 LL	40	45	76	108	86	58	M 12	80	62	80	20	20
RJUM-06-50 LL	50	50	89	132	108	50	M 16	100	78	100	24	24

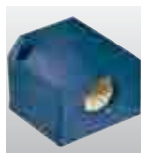
Plain bearings of series RJUM-06LL can be combined with:



RGA-01:
► P. 64.42

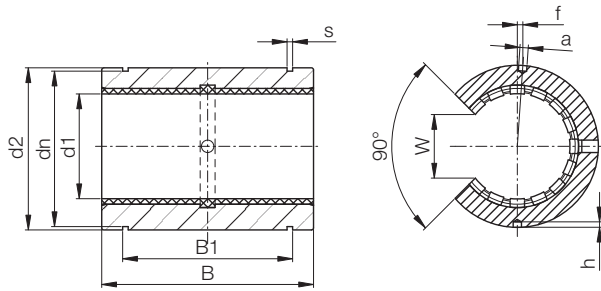


RGA-03:
► P. 64.42



RJUM-06:
► P. 64.27

Internet www.igus.de
E-mail info@igus.de



Structure – part no.
OJUM-01-12

- └ Diameter
- └ Standard
- └ Metric
- └ Liner
- └ iglidur® J
- └ Open



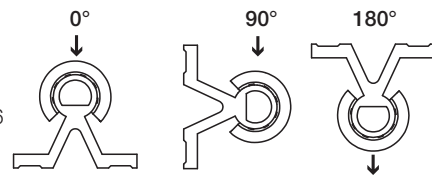
Special properties

- Open, anodized aluminium housing for supported shafts
- Dimensions equivalent to standard recirculating ball bearings
- Fitted with JUMO-01 liner made of iglidur® J
- Recommended housing bore H7
- Recommended tolerance for the shaft: h6-h10 (see igus® shafts ► **chapter 65**)
- Secure the bearing with set screws (not included in the delivery)
- Also available with following liners:
 - XUMO-01: for high temperatures, material iglidur® X – Example: OXUM-01-16
 - JUMO-11: with reduced maximum clearance, material iglidur® J – Example: OJUM-11-16

* According to igus® testing method

► **Page 64.37**

Available from stock



Inner Diameter, Load Capacity and Weight

Part No.	Shaft Ø [mm]	Tolerance* Bearing Inner Diameter [mm]	pmax. [N] Dynamic Load P = 5 MPa			pmax. [N] Static Load P = 35 MPa			Weight [g]
			0°	90°	180°	0°	90°	180°	
			OJUM-01-10	10	0,030 - 0,088	725	500	196	
OJUM-01-12	12	0,030 - 0,088	960	635	240	6720	4445	1680	15
OJUM-01-16	16	0,030 - 0,088	1440	990	396	10080	6943	2772	21
OJUM-01-20	20	0,030 - 0,091	2250	1800	900	15750	12600	6300	42
OJUM-01-25	25	0,030 - 0,091	3625	2953	1523	25375	20670	10658	70
OJUM-01-30	30	0,040 - 0,110	5100	4250	2278	35700	29735	15946	132
OJUM-01-40	40	0,040 - 0,115	8000	6810	3800	56000	47660	26660	278
OJUM-01-50	50	0,050 - 0,130	12500	10750	6125	87500	75265	42875	479

Dimensions [mm]

Part No.	d1 [mm]	d2 [mm]	B [mm]	W [mm]	a [mm]	dn [mm]	B1 [mm]	s [mm]	f [mm]	h [mm]
OJUM-01-10	10	19	29	7,3	0,0	17,5	21,6	1,30	0	1,2
OJUM-01-12	12	22	32	9,0	3,0	20,5	22,6	1,30	1,33 (7°)	1,2
OJUM-01-16	16	26	36	11,6	2,2	24,2	24,6	1,30	0	1,2
OJUM-01-20	20	32	45	12,0	2,2	29,6	31,2	1,60	0	1,2
OJUM-01-25	25	40	58	14,5	3,0	36,5	43,7	1,85	-1,5 (-4,3°)	1,5
OJUM-01-30	30	47	68	16,6	3,0	43,5	51,7	1,85	2 (4,9°)	2,0
OJUM-01-40	40	62	80	21,0	3,0	57,8	60,3	2,15	1,5 (2,8°)	2,0
OJUM-01-50	50	75	100	25,5	5,0	70,5	77,3	2,65	2,5 (3,8°)	2,0

Plain bearings of series OJUM-01 can be combined with:

QQA-01: ► P. 64.37	OGA-01: ► P. 64.43	OGAS-01: ► P. 64.45	OTA-01: ► P. 64.31	AWMU: ► P. 65.5

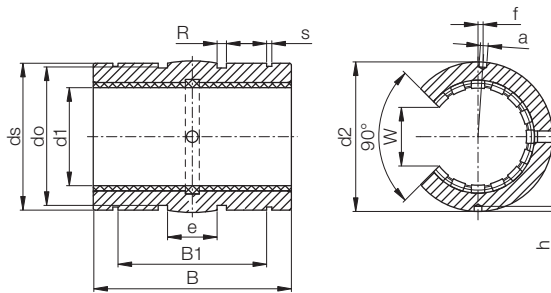
DryLin® R
mm

Phone +49 - 22 03 - 96 49-145
Fax +49 - 22 03 - 96 49-334





DryLin® R | Linear Plain Bearing OJUM-03 | mm



Structure – part no.
O J U M-03-12



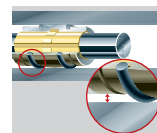
- Diameter
- Self-aligning
- Metric
- Liner
- iglidur® J
- Open

mm

DryLin® R

Special properties

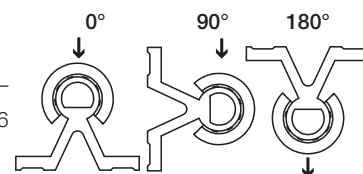
- Closed aluminium housing with
 - reduced outer diameter
 - spherical area on the outer diameter
- For misalignment compensation
 - O-rings for elastic seating
 - hard anodized
- Dimensions correspond to standard recirculating ball bearings
- Fitted with JUMO-01 liner made of iglidur® J
- Recommended housing bore H7
- Recommended tolerance for the shaft: h6–h10 (see iglus® supported shafts ► Page 65.3)
- Secured by set screws (not included in delivery)
- Also available with following liners: → XUMO-01: for high temperatures, material iglidur® X – Ex.: OXUM-03-16 → JUMO-11: with reduced max. clearance, material iglidur® J – Ex.: OJUM-13-16



* According to iglus® testing method
► Page 64.37



Available from stock



Inner Diameter, Load Capacity and Weight

Part No.	Shaft Ø [mm]	Housing Bore Ø H7 [mm]	Tolerance* Bearing Inner Diameter [mm]	pmax. [N] Dynamic Load P = 5 MPa			pmax. [N] Static Load P = 35 MPa			Weight [g]
				0°	90°	180°	0°	90°	180°	
OJUM-03-10	10	19	0,030 - 0,088	725	500	196	5075	3500	1370	10
OJUM-03-12	12	22	0,030 - 0,088	960	635	240	6720	4445	1680	13
OJUM-03-16	16	26	0,030 - 0,088	1440	990	396	10080	6943	2772	19
OJUM-03-20	20	32	0,030 - 0,091	2250	1800	900	15750	12600	6300	38
OJUM-03-25	25	40	0,030 - 0,091	3625	2953	1523	25375	20670	10658	63
OJUM-03-30	30	47	0,040 - 0,110	5100	4250	2278	35700	29735	15946	119
OJUM-03-40	40	62	0,040 - 0,115	8000	6810	3800	56000	47660	26600	250
OJUM-03-50	50	75	0,050 - 0,130	12500	10750	6125	87500	75265	42875	431

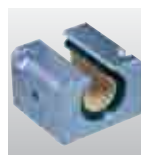
Dimensions [mm]

Part No.	d1	d2	ds	e	o	do	B1	s	B	R	W	a	f	h
	[mm]	[mm]	[mm]	[mm]	[mm]	[mm]	[mm]	[mm]	[mm]	[mm]	[mm]	[mm]	±0,2	-0,5
			h7	h10	+0,1		H10	H10	h10			-1	+0,1	
OJUM-03-10	10	18,8	18,5	5,0	1,86	15,4	21,8	1,30	28,9	13,0	7,3	0,0	0	1,2
OJUM-03-12	12	21,8	21,5	6,0	1,86	18,4	22,8	1,30	31,9	18,0	9,0	3,0	1,33 (7°)	1,2
OJUM-03-16	16	25,8	25,5	8,0	2,86	20,4	24,9	1,30	35,9	32,0	11,6	2,2	0	1,2
OJUM-03-20	20	31,8	31,5	10,0	2,86	26,4	31,5	1,60	44,8	50,0	12,0	2,2	0	1,2
OJUM-03-25	25	39,8	39,0	12,5	2,86	34,4	44,1	1,85	57,8	39,0	14,5	3,0	-1,5 (-4,3°)	1,5
OJUM-03-30	30	46,7	46,0	15,0	2,86	41,4	52,1	1,85	67,8	57,0	16,6	3,0	2 (4,9°)	2
OJUM-03-40	40	61,7	61,0	20,0	2,86	56,4	60,9	2,15	79,8	100,0	21,0	3,0	1,5 (2,8°)	2
OJUM-03-50	50	74,7	74,0	25,0	2,86	69,4	78,0	2,65	99,8	157,0	25,5	5,0	2,5 (3,8°)	2

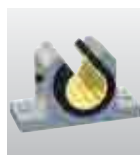
Plain bearings of series OJUM-03 can be combined with:



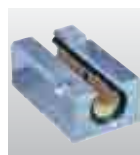
OQA-03:
► P. 64.37



OGA-03:
► P. 64.43



OGAS-03:
► P. 64.45



OTA-03:
► P. 64.41

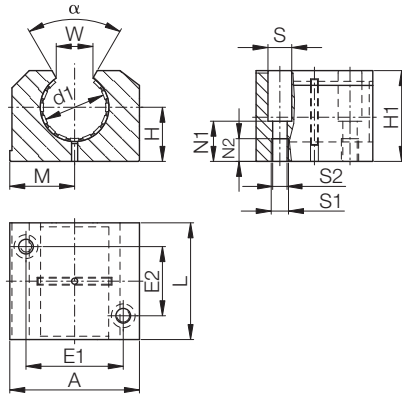
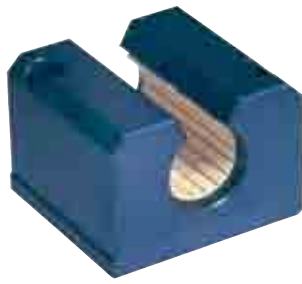


AWMU:
► P. 65.5

Internet www.igus.de
E-mail info@igus.de

64.30

Lifetime calculation, CAD files and much more support ► www.igus.de/en/DryLinR



Structure – part no.
O J U M - 0 6 - 1 2



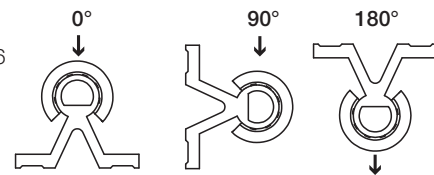
Special properties

- Open pillow block made of anodized aluminium, for supported shafts
- Liner JUMO-01 made of iglidur® J is fitted as standard
- Recommended tolerance for the shaft: h6–h10 (see igus® supported shafts ► **Page 65.3**)
- Also available with following liners:
 - XUMO-01: for high temperatures, material iglidur® X – Example: OXUM-06-16
 - JUMO-11: with reduced maximum clearance, material iglidur® J – Example: OJUM-16-16

* According to igus® testing method

► **Page 64.37**

Available from stock



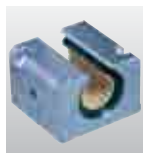
Inner Diameter, Load Capacity and Weight

Part No.	Shaft Ø [mm]	Tolerance* Bearing Inner Diameter [mm]	pmax. [N] Dynamic Load P = 5 MPa			pmax. [N] Static Load P = 35 MPa			Weight [kg]
			0°	90°	180°	0°	90°	180°	
OJUM-06-12	12	0,030 - 0,088	960	635	240	6720	4445	1680	0,095
OJUM-06-16	16	0,030 - 0,088	1440	990	396	10080	6943	2772	0,158
OJUM-06-20	20	0,030 - 0,091	2250	1800	900	15750	12600	6300	0,266
OJUM-06-25	25	0,030 - 0,091	3625	2953	1523	25375	20670	10658	0,530
OJUM-06-30	30	0,040 - 0,110	5100	4250	2278	35700	29735	15946	0,818
OJUM-06-40	40	0,040 - 0,115	8000	6810	3800	56000	47660	26600	1,485
OJUM-06-50	50	0,050 - 0,130	12500	10750	6125	87500	75265	42875	2,750

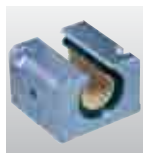
Dimensions [mm]

Part No.	d1 [mm]	H [mm]	H1 [mm]	A [mm]	M [mm]	E1 [mm]	E2 [mm]	S [mm]	S1 [mm]	S2 [mm]	N1 [mm]	N2 [mm]	W [mm]	α [°]	L [mm]
Standard Pillow Block		+0,01 -0,014				±0,15	±0,15						-1		
OJUM-06-12	12	18	28	43	21,5	32	23	8,0	M 5	4,3	16,5	11	10,2	78	39
OJUM-06-16	16	22	35	53	26,5	40	26	10,0	M 6	5,3	21,0	13	11,6	78	43
OJUM-06-20	20	25	42	60	30,0	45	32	11,0	M 8	6,6	24,0	18	12,0	60	54
OJUM-06-25	25	30	51	78	39,0	60	40	15,0	M10	8,4	29,0	22	14,5	60	67
OJUM-06-30	30	35	60	87	43,5	68	45	15,0	M10	8,4	34,0	22	16,6	57	79
OJUM-06-40	40	45	77	108	54,0	86	58	18,0	M12	10,5	44,0	26	21,0	56	91
OJUM-06-50	50	50	88	132	66,0	108	50	20,0	M16	13,5	49,0	34	25,5	54	113

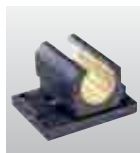
Plain bearings of series OJUM-06 can be combined with:



OGA-01:
► P. 64.43



OGA-03:
► P. 64.43

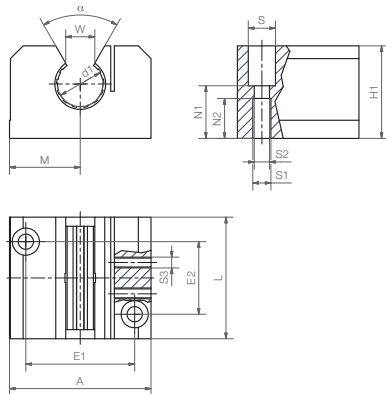


OJUM-06 LL:
► P. 64.33





DryLin® R | Adjustable Pillow Block OJUME-06 | mm



Structure – part no.
O J U M E-06-12



- Diameter
- Std. p. block
- Adjustable
- Metric
- Liner
- iglidur® J
- Open

mm

DryLin® R

Phone +49 - 22 03 - 96 49-145
Fax +49 - 22 03 - 96 49-334

igus® GmbH
51147 Cologne

Internet www.igus.de
E-mail info@igus.de

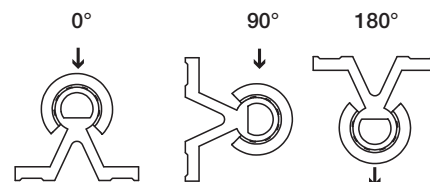
Special properties

- Open pillow block made of anodized aluminium, standard
- Adjustable clearance: with 2 set screws (DIN 913) one side of the block can be adjusted.
- Liner JUMO-01 made of iglidur® J is fitted as standard
- Recommended tolerance for the shaft: h6-h10 (see igus® supported shafts ► [Page 65.3](#))
- Also available with following liners:
 - XUMO-01: for high temperatures, material iglidur® X – Ex.: OXUM-06-16
 - JUMO-11: with reduced maximum clearance, material iglidur® J – Ex.: OJUM-16-16

* According to igus® testing method

► [Page 64.37](#)

Available from stock



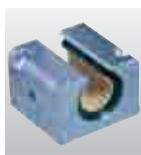
Inner Diameter, Load Capacity and Weight

Part No. Standard Pillow Block	Shaft Ø [mm]	Tolerance* Bearing Inner Diameter [mm]	pmax. [N] Dynamic Load P = 5 MPa			pmax. [N] Static Load P = 35 MPa			Weight [kg]
			0°	90°	180°	0°	90°	180°	
OJUME-06-12	12	adjustable	960	635	240	6720	4445	1680	0,10
OJUME-06-16	16	adjustable	1440	990	396	10080	6943	2772	0,16
OJUME-06-20	20	adjustable	2250	1800	900	15750	12600	6300	0,27
OJUME-06-25	25	adjustable	3625	2953	1523	25375	20670	10658	0,53
OJUME-06-30	30	adjustable	5100	4250	2278	35700	29735	15946	0,82
OJUME-06-40	40	adjustable	8000	6810	3800	56000	47660	26600	1,49
OJUME-06-50	50	adjustable	12500	10750	6125	87500	75265	42875	2,75

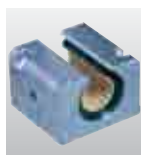
Dimensions [mm]

Part No. Standard Pillow Block	d1 [mm]	H [mm]	H1 [mm]	A [mm]	M [mm]	E1 [mm]	E2 [mm]	S [mm]	S1 [mm]	S2 [mm]	S3 [mm]	N1 [mm]	N2 [mm]	W [mm]	α [°]	L [mm]
		+0,01				±0,15	±0,15								-1	
OJUME-06-12	12	18	28	43	21,5	32	23	8,0	M 5	4,3	M4	16,5	11	10,2	78	39
OJUME-06-16	16	22	35	53	26,5	40	26	10,0	M 6	5,3	M4	21,0	13	11,6	78	43
OJUME-06-20	20	25	42	60	30,0	45	32	11,0	M 8	6,6	M5	24,0	18	12,0	60	54
OJUME-06-25	25	30	51	78	39,0	60	40	15,0	M10	8,4	M6	29,0	22	14,5	60	67
OJUME-06-30	30	35	60	87	43,5	68	45	15,0	M10	8,4	M6	34,0	22	16,6	57	79
OJUME-06-40	40	45	77	108	54,0	86	58	18,0	M12	10,5	M8	44,0	26	21,0	56	91
OJUME-06-50	50	50	88	132	66,0	108	50	20,0	M16	13,5	M8	49,0	34	25,5	54	113

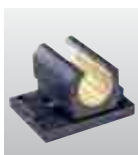
Plain bearings of series OJUM-06 can be combined with:



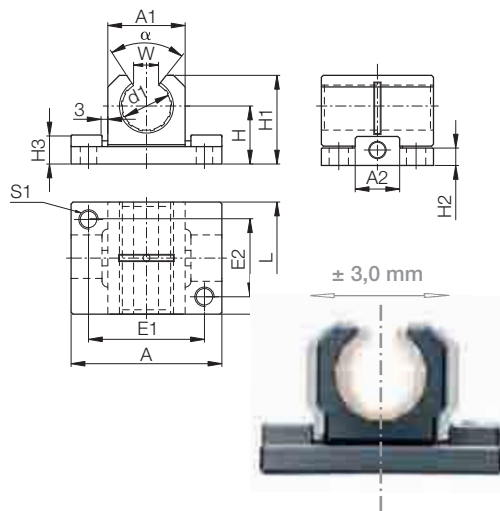
OGA-01:
► P. 64.43



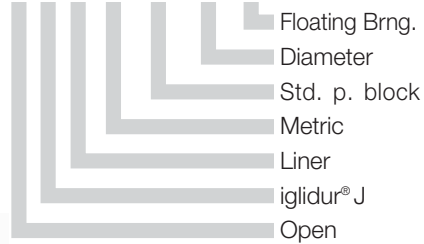
OGA-03:
► P. 64.43



OJUM-06 LL:
► P. 64.33



Structure – part no.
O J U M-06-12 LL

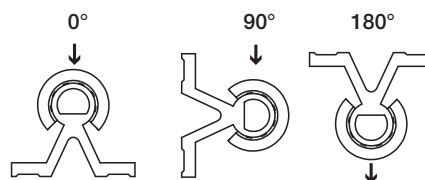


Special properties

- Same properties as standard pillow block OJUM-06
- Compensation of parallelism errors up to 6 mm
- Compensates for angular errors and deflection of the shaft
- Recommended tolerance for the shaft: h6-h10
- Also available with following liners:
 - XUMO-01: for high temperatures, material iglidur® X – Example: OXUM-06-16 LL
 - JUMO-11: with reduced maximum clearance, material iglidur® J – Example: OJUM-16-16 LL

* According to igus® testing method
▶ Page 64.37

Available from stock



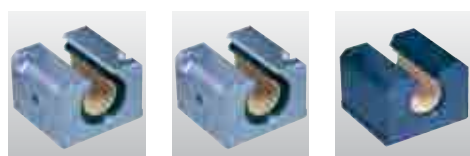
Inner Diameter, Load Capacity and Weight

Part No.	Shaft Ø [mm]	Tolerance* Bearing Inner Diameter [mm]	pmax. [N] static or dynamic	pmax. [N] Dynamic Load load at 180°	Weight [kg]
OJUM-06-12 LL	12	0,030 - 0,088	560	240	0,040
OJUM-06-16 LL	16	0,030 - 0,088	920	400	0,070
OJUM-06-20 LL	20	0,030 - 0,091	2100	900	0,115
OJUM-06-25 LL	25	0,030 - 0,091	3550	1520	0,240
OJUM-06-30 LL	30	0,040 - 0,110	5300	2280	0,370
OJUM-06-40 LL	40	0,040 - 0,115	8000	3800	0,750
OJUM-06-50 LL	50	0,050 - 0,130	12500	6100	1,400

Dimensions [mm]

Part No.	d1 [mm]	H [mm]	H1 [mm]	A [mm]	E1 [mm]	E2 [mm]	S1	L [mm]	A1 [mm]	A2 [mm]	H2 [mm]	H3 [mm]	W [mm]	α [°]
Floating Pillow Block		± 0,01			± 0,15	± 0,15							-1	
OJUM-06-12 LL	12	18	24,5	43	32	23	M 5	32	20	13	6	11	10,2	90
OJUM-06-16 LL	16	22	30,5	53	40	26	M 6	36	26	15	7	11	11,6	90
OJUM-06-20 LL	20	25	37,0	60	45	32	M 8	45	32	19	7	12,5	12,0	60
OJUM-06-25 LL	25	30	44,0	78	60	40	M10	58	40	23	9	15	14,5	60
OJUM-06-30 LL	30	35	52,5	87	68	45	M10	68	48	28	10	15	16,8	60
OJUM-06-40 LL	40	45	69,0	108	86	58	M12	80	62	80	20	20	21,0	60
OJUM-06-50 LL	50	50	80,0	132	108	50	M16	100	78	100	24	24	25,5	60

Plain bearings of series OJUM-06LL can be combined with:



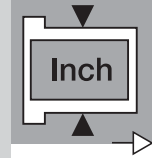
OGA-01: ▶ P. 64.43
OGA-03: ▶ P. 64.43
OJUM-06: ▶ P. 64.31



DryLin® R

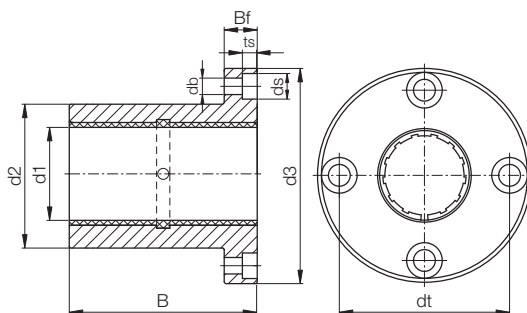
mm

Phone +49 - 22 03 - 96 49-145
Fax +49 - 22 03 - 96 49-334

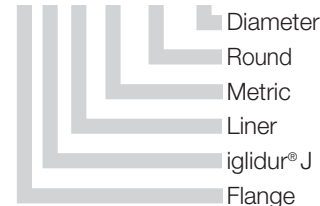




DryLin® R | Round Flange FJUM-01 | mm



Structure – part no.
F J U M-01-12



mm

DryLin® R

Phone +49 - 22 03 - 96 49-145
Fax +49 - 22 03 - 96 49-334

igus® GmbH
51147 Cologne

Internet www.igus.de
E-mail info@igus.de

64.34

Special properties

- Flange pillow block made of anodized aluminium, round flange
- Liner JUM-01 made of iglidur® J is fitted as standard
- Recommended tolerance for the shaft: h6–h10 (see igus® shafts ► **chapter 65**)
- Also available with following liners:
 - XUM-01: for high temperatures, material iglidur® X – Example: FXUM-01-16
 - JUM-11: with reduced maximum clearance, material iglidur® J – Example: FJUM-11-16

* According to igus®
testing method
► **Page 64.37**

**Nominal diameter under
10 mm are delivered
with pressfit sleeve bearings

Available from stock

Inner Diameter, Load Capacity and Weight

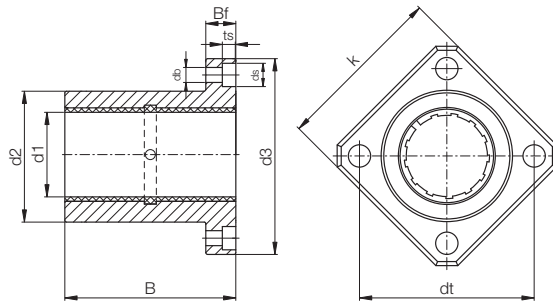
Part No.	Shaft Ø [mm]	Tolerance* Bearing Inner Diameter [mm]	pmax. [N] Dynamic Load P = 5 MPa	pmax. [N] Static Load P = 35 MPa	Weight [g]
FJZM-01-08**	8	0,032 - 0,070	960	6720	20
FJUM-01-10	10	0,030 - 0,088	725	5075	32
FJUM-01-12	12	0,030 - 0,088	960	6720	42
FJUM-01-16	16	0,030 - 0,088	1440	10080	51
FJUM-01-20	20	0,030 - 0,091	2250	15750	88
FJUM-01-25	25	0,030 - 0,091	3625	25375	152
FJUM-01-30	30	0,040 - 0,110	5100	35700	266
FJUM-01-40	40	0,040 - 0,115	8000	56000	552
FJUM-01-50	50	0,050 - 0,130	12500	87500	853

Dimensions [mm]

Part No.	d1 [mm]	d2 [mm] h7	dt [mm]	d3 [mm]	B [mm]	Bf [mm]	ts [mm]	db [mm]	ds [mm]
FJZM-01-08**	8	16	24	32	25	8	3,1	3,5	6,0
FJUM-01-10	10	19	29	39	29	9	4,1	4,5	7,5
FJUM-01-12	12	22	32	42	32	9	4,1	4,5	7,5
FJUM-01-16	16	26	36	46	36	9	4,1	4,5	7,5
FJUM-01-20	20	32	43	54	45	11	5,1	5,5	9,0
FJUM-01-25	25	40	51	62	58	11	5,1	5,5	9,0
FJUM-01-30	30	47	62	76	68	14	6,1	6,6	11,0
FJUM-01-40	40	62	80	98	80	18	8,1	9,0	14,0
FJUM-01-50	50	75	94	112	100	18	8,1	9,0	14,0

Lifetime calculation, CAD files and much more support ► www.igus.de/en/DryLinR

DryLin® R | Square Flange FJUM-02 | mm



Structure – part no.
F J U M-02-12



- Diameter
- Square
- Metric
- Liner
- iglidur® J
- Flange

Special properties

- Flange pillow block made of anodized aluminium, square flange
- Liner JUM-01 made of iglidur® J is fitted as standard
- Recommended tolerance for the shaft: h6–h10 (see iglus® shafts ► **chapter 65**)
- Also available with following liners:
 - XUM-02: for high temperatures, material iglidur® X – Example: FXUM-02-16
 - JUM-12: with reduced maximum clearance, material iglidur® J – Example: FJUM-12-16

* According to iglus® testing method
► **Page 64.37**

**Nominal diameters under 10 mm are delivered with pressfit sleeve bearings

Available from stock

Inner Diameter, Load Capacity and Weight

Part No.	Shaft Ø [mm]	Tolerance* Bearing Inner Diameter [mm]	pmax. [N] Dynamic Load P = 5 MPa	pmax. [N] Static Load P = 35 MPa	Weight [g]
FJZM-02-08**	8	0,032 - 0,070	960	6720	17
FJUM-02-10	10	0,030 - 0,088	725	5075	25
FJUM-02-12	12	0,030 - 0,088	960	6720	32
FJUM-02-16	16	0,030 - 0,088	1440	10080	41
FJUM-02-20	20	0,030 - 0,091	2250	15750	73
FJUM-02-25	25	0,030 - 0,091	3625	25375	135
FJUM-02-30	30	0,030 - 0,110	5100	35700	228
FJUM-02-40	40	0,030 - 0,115	8000	56000	454
FJUM-02-50	50	0,030 - 0,130	12500	87500	735

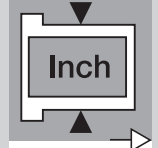
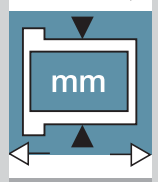
Dimensions [mm]

Part No.	d1 [mm]	d2 [mm]	d3 [mm]	dt [mm]	k [mm]	B [mm]	Bf [mm]	ts [mm]	db [mm]	ds [mm]
FJZM-02-08**	8	16	32	24	25	25	8	3,1	3,5	6,0
FJUM-02-10	10	19	39	29	30	29	9	4,1	4,5	7,5
FJUM-02-12	12	22	42	32	32	32	9	4,1	4,5	7,5
FJUM-02-16	16	26	46	36	35	36	9	4,1	4,5	7,5
FJUM-02-20	20	32	54	43	42	45	11	5,1	5,5	9,0
FJUM-02-25	25	40	62	51	50	58	11	5,1	5,5	9,0
FJUM-02-30	30	47	76	62	60	68	14	6,1	6,6	11,0
FJUM-02-40	40	62	98	80	75	80	18	8,1	9,0	14,0
FJUM-02-50	50	75	112	94	88	100	18	8,1	9,0	14,0

DryLin® R

mm

Phone +49 - 22 03 - 96 49-145
Fax +49 - 22 03 - 96 49-334

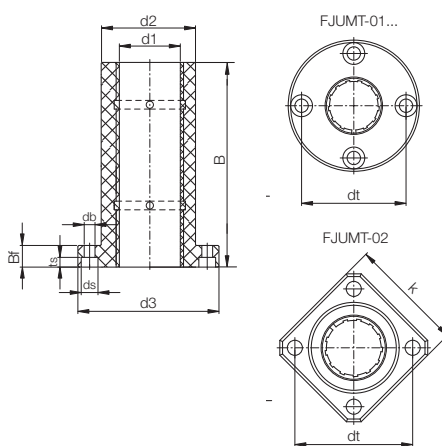




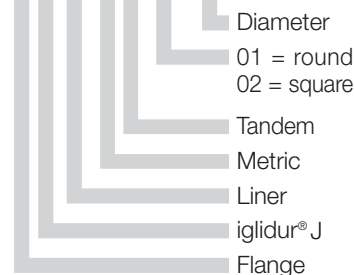
DryLin® R | Tandem Flange FJUMT-01/02 | mm



FJUMT-01... FJUMT-02...



Structure – part no.
F J U M T-01-12



mm

DryLin® R

Phone +49 - 22 03 - 96 49-145
Fax +49 - 22 03 - 96 49-334

iglus® GmbH
51147 Cologne

Internet www.igus.de
E-mail info@igus.de

64.36

Special properties

- Flange housing made of anodized aluminium, round flange/square flange
- 2 x liner JUM-02 made of iglidur® J are fitted as standard
- Recommended tolerance for the shaft: h6-h10 (see iglus® shafts ► **chapter 65**)
- Also available with following liners:
 - XUM-01: for high temperatures, material iglidur® X – Example: FXUMT-01-16
 - JUM-11: with reduced maximum clearance, material iglidur® J – Example: FJUMT-11-16

* According to iglus® testing method
► **Page 64.37**

**FJZMT-01/02-08 are fitted with 2 pieces of JSM-0810-16

Available from stock

Flange length and effective surface area

Part No.	Dimension Nominal Diameter [mm]	Tolerance* Bearing Inner Diameter [mm]	Flange length FJUMT-01/02-.. [mm]	Effective surface area FJUMT-01/02-.. [mm ²]
FJZMT- <input type="checkbox"/> -08**	08	0,032 - 0,070	45	256
FJUMT- <input type="checkbox"/> -10	10	0,030 - 0,088	52	250
FJUMT- <input type="checkbox"/> -12	12	0,030 - 0,088	57	324
FJUMT- <input type="checkbox"/> -16	16	0,030 - 0,088	70	464
FJUMT- <input type="checkbox"/> -20	20	0,030 - 0,091	80	580
FJUMT- <input type="checkbox"/> -25	25	0,030 - 0,091	112	975
FJUMT- <input type="checkbox"/> -30	30	0,030 - 0,110	123	1470
FJUMT- <input type="checkbox"/> -40	40	0,030 - 0,115	151	2360
FJUMT- <input type="checkbox"/> -50	50	0,030 - 0,130	192	3450

Please insert: **01** for round flange ● or **02** for square flange ◆

Dimensions [mm]

Part No.	d1 [mm]	d2 [mm]	d3 [mm]	dt [mm]	k [mm]	B [mm]	Bf [mm]	ts [mm]	db [mm]	ds [mm]
FJZMT- <input type="checkbox"/> -08**	8	16	32	24	25	45	8	3,1	3,5	6,0
FJUMT- <input type="checkbox"/> -10	10	19	39	29	30	52	9	4,1	4,5	7,5
FJUMT- <input type="checkbox"/> -12	12	22	42	32	32	57	9	4,1	4,5	7,5
FJUMT- <input type="checkbox"/> -16	16	26	46	36	35	70	9	4,1	4,5	7,5
FJUMT- <input type="checkbox"/> -20	20	32	54	43	42	80	11	5,1	5,5	9,0
FJUMT- <input type="checkbox"/> -25	25	40	62	51	50	112	11	5,1	5,5	9,0
FJUMT- <input type="checkbox"/> -30	30	47	76	62	60	123	14	6,1	6,6	11,0
FJUMT- <input type="checkbox"/> -40	40	62	98	80	75	151	18	8,1	9,0	14,0
FJUMT- <input type="checkbox"/> -50	50	75	112	94	88	192	18	8,1	9,0	14,0

Please insert: **01** for round flange ● or **02** for square flange ◆

Lifetime calculation, CAD files and much more support ► www.igus.de/en/DryLinR



igus® Testing method for measuring the tolerance of DryLin® plain bearings

To ensure the correct function of a DryLin plain bearing, it is necessary to use the bearing with a defined minimum clearance. The quality control of this dimension is carried out with a plug gauge test.

For this purpose, specific force is defined with which the plug gauge is loaded when the plain bearing is tested.

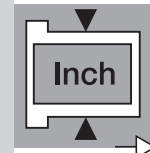
Part.	Test Force [N]	Øi – Test Housing	min. Bearing Size Øi (c. gauge-free)	Max. Bearing Size Øi (with c. gauge)
JUM-01/02-10	0,981	12,000 mm	10,030 mm	10,070 mm
JUM-01/02-12	1,373	14,000 mm	12,030 mm	12,070 mm
JUM-01/02-16	1,864	18,000 mm	16,030 mm	16,070 mm
JUM-01/02-20	2,649	23,000 mm	20,030 mm	20,070 mm
JUM-01/02-25	3,729	28,000 mm	25,030 mm	25,070 mm
JUM-01/02-30	4,807	34,000 mm	30,040 mm	30,085 mm
JUM-01/02-40	7,063	44,000 mm	40,040 mm	40,085 mm
JUM-01/02-50	9,810	55,000 mm	50,050 mm	50,100 mm
JUI-01-06	0,981	0,4684 inch	0,3768 inch	0,3776 inch
JUI-01-08	1,373	0,5934 inch	0,5016 inch	0,5024 inch
JUI-01-10	1,864	0,7184 inch	0,6268 inch	0,6276 inch
JUI-01-12	2,649	0,8747 inch	0,7516 inch	0,7524 inch
JUI-01-16	3,729	1,1247 inch	1,0016 inch	1,0024 inch
JUI-01-20	4,807	1,4058 inch	1,2520 inch	1,2531 inch
JUI-01-24	7,063	1,6558 inch	1,5020 inch	1,5031 inch
JUI-01-32	9,810	2,1870 inch	2,0024 inch	2,0039 inch
RJM-01-08	0,981	16,000 mm	8,025 mm	8,061 mm
RJM-01-10	0,981	19,000 mm	10,025 mm	10,061 mm
RJM-01-12	1,373	22,000 mm	12,032 mm	12,075 mm
RJM-01-16	1,864	26,000 mm	16,032 mm	16,075 mm
RJM-01-20	2,649	32,000 mm	20,040 mm	20,092 mm
RJM-01-25	3,729	40,000 mm	25,040 mm	25,092 mm
RJM-01-30	4,807	47,000 mm	30,040 mm	30,092 mm
RJM-01-40	7,063	62,000 mm	40,050 mm	40,112 mm
RJM-01-50	9,810	75,000 mm	50,050 mm	50,112 mm
RJI-01-06	0,981	0,6250 inch	0,3762 inch	0,3776 inch
RJI-01-08	1,373	0,8750 inch	0,5013 inch	0,5030 inch
RJI-01-10	1,864	1,1250 inch	0,6265 inch	0,6282 inch
RJI-01-12	2,649	1,2500 inch	0,7516 inch	0,7536 inch
RJI-01-16	3,729	1,5625 inch	1,0035 inch	1,0056 inch
RJI-01-20	4,807	2,0000 inch	1,2520 inch	1,2544 inch
RJI-01-24	7,063	2,3750 inch	1,5020 inch	1,5044 inch
RJI-01-32	9,810	3,0000 inch	2,0024 inch	2,0053 inch
RJ260(U)M-02-12	1,373	19,000 mm	12,032 mm	12,084 mm
RJ260(U)M-02-16	1,864	24,000 mm	16,032 mm	16,084 mm
RJ260(U)M-02-20	2,649	28,000 mm	20,040 mm	20,100 mm
RJ260(U)M-02-25	3,729	35,000 mm	25,040 mm	25,100 mm

When using a plain bearing (JUM/RJM..) in connection with a housing (RJUM, OJUM, RGA..) the factory tolerance of the housing bore (standard case: H7) is also added to the minimum clearance stated above. The total from these two values then produces the

maximum possible bearing tolerance. Plain bearings of the dimensional series "Japan-Std." (JUJ) are tested according to the same criteria for the JUM plain bearing.

DryLin® R
Testing Method

Phone +49 - 22 03 - 96 49-145
Fax +49 - 22 03 - 96 49-334





Special properties

- Housing: aluminium
- Equipped with DryLin® R linear plain bearings, part no. RJUM-01-ø, RJUM-03-ø or RJM-01
- Maintenance-free
- The bearing in the housing is secured using DIN 472 circlips
- Mounting bolts DIN 912-8.8, lock washer DIN 7980
- Recommended tolerance for the shaft: h6 - h10 (see igus® shafts p. 64.44)
- Available from stock

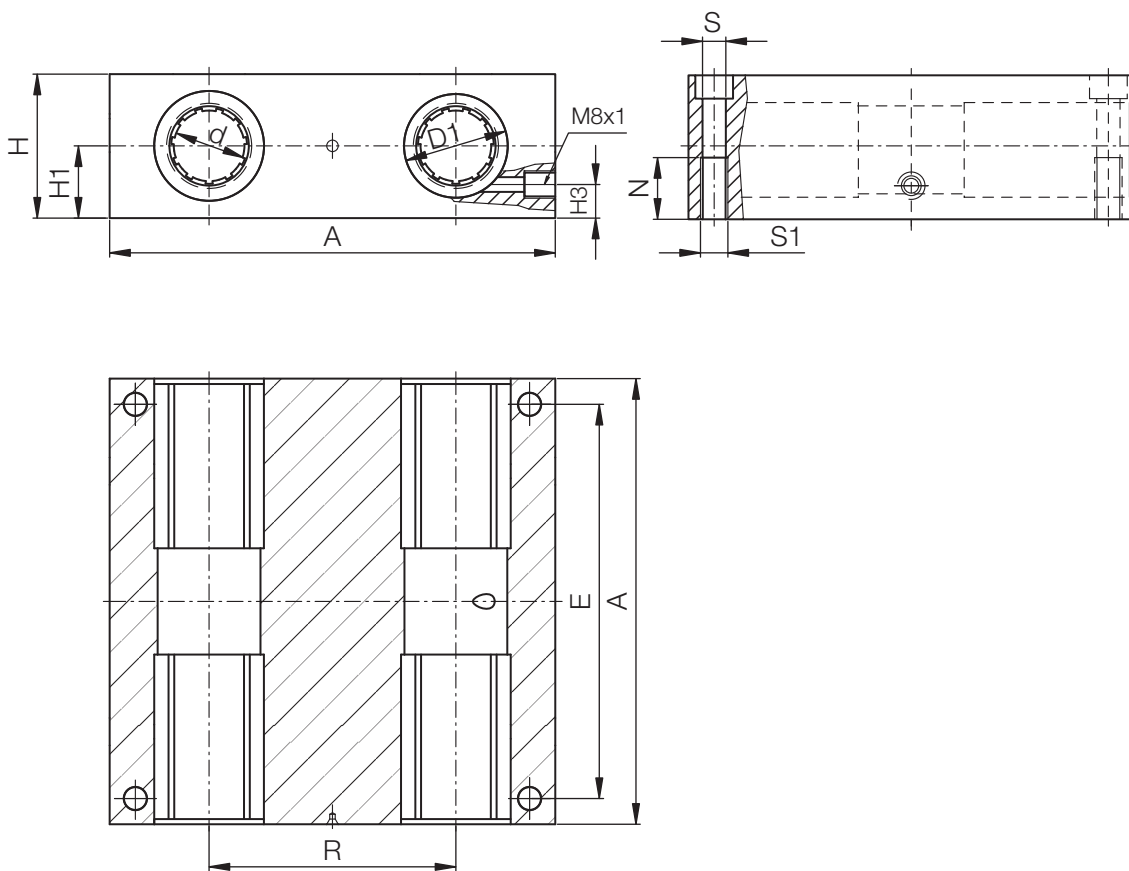
mm

DryLin® R

Phone +49 - 22 03 - 96 49-145
 Fax +49 - 22 03 - 96 49-334

igus® GmbH
 51147 Cologne

Internet www.igus.de
 E-mail info@igus.de



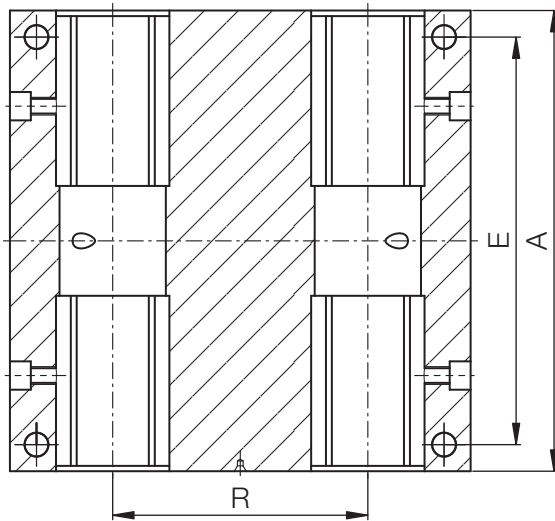
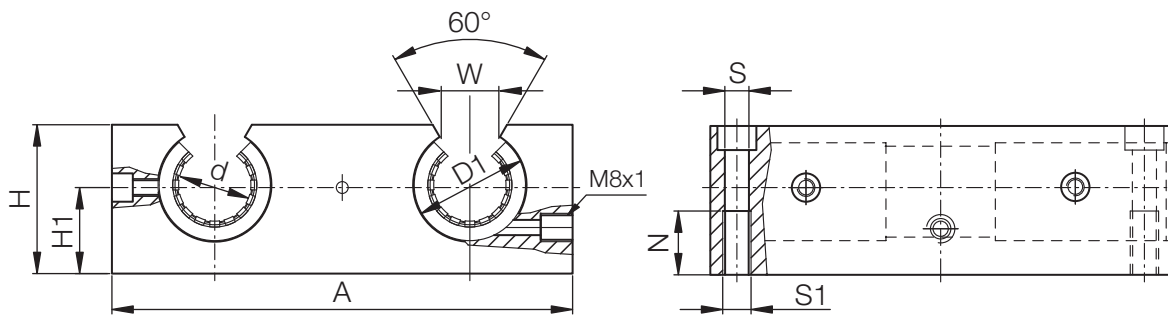
Dimensions [mm]

Part No. Standard with RJUM-01	Self-aligning with RJUM-03	All Polymer Bearing with RJM-01	d [mm]	D1 [mm]	A [mm]	H [mm]	H1 [mm]	H3 [mm]	R [mm]	N [mm]	E [mm]	S [mm]	S1 [mm]
RQA-01-08	-	RQA-04-08	8	16	65	23	11,5	8	32	11	55	4,3	M5
RQA-01-12	RQA-03-12	RQA-04-12	12	22	85	32	16	13	42	13	73	5,3	M6
RQA-01-16	RQA-03-16	RQA-04-16	16	26	100	36	18	15	54	13	88	5,3	M6
RQA-01-20	RQA-03-20	RQA-04-20	20	32	130	46	23	19	72	18	115	6,6	M8
RQA-01-25	RQA-03-25	RQA-04-25	25	40	160	56	28	24	88	22	140	8,4	M10
RQA-01-30	RQA-03-30	RQA-04-30	30	47	180	64	32	27	96	26	158	10,5	M12
RQA-01-40	RQA-03-40	RQA-04-40	40	62	230	80	40	35	122	34	202	13,5	M16



Special properties

- Housing: aluminium
- Equipped with DryLin® R linear plain bearings, part no. OJUM-01-ø or OJUM-03-ø
- Maintenance-free
- Mounting bolts DIN 912-8.8, lock washer DIN 7980
- The bearing in the housing is secured using set screws
- Recommended tolerance for the shaft: h6 - h10 (see igus® supported shafts p. 64.46)
- Available from stock



Dimensions [mm]

Part No. Standard with OJUM-01	Self-aligning with OJUM-03	d [mm]	D1 [mm]	A [mm]	H [mm]	H1 [mm]	W [mm]	R [mm]	N [mm]	E [mm]	S [mm]	S1 [mm]
OQA-01-12	OQA-03-12	12	22	85	30	18	14	42	13	73	5,3	M6
OQA-01-16	OQA-03-16	16	26	100	35	22	17	54	13	88	5,3	M6
OQA-01-20	OQA-03-20	20	32	130	42	25	17	72	18	115	6,8	M8
OQA-01-25	OQA-03-25	25	40	160	51	30	21	88	22	140	9,0	M10
OQA-01-30	OQA-03-30	30	47	180	60	35	21	96	26	158	10,5	M12
OQA-01-40	OQA-03-40	40	62	230	77	45	27	122	34	202	13,5	M16

DryLin® R
mm

Phone +49 - 22 03 - 96 49-145
Fax +49 - 22 03 - 96 49-334





Special properties

- Housing: aluminium
- Equipped with DryLin® R linear plain bearings, part No. RJUM-01-ø, RJUM-03-ø or RJM-01
- Can be combined with DryLin® R housing bearing, part No. RJUM-06-ø
- The bearing in the housing is secured using DIN 472 circlips
- Mounting bolts DIN 912-8.8, lock washer DIN 7980
- Recommended tolerance for the shaft: h6 - h10 (see igus® shafts p. 64.44)
- Available from stock

mm

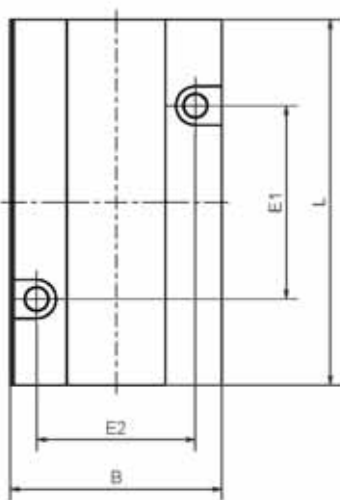
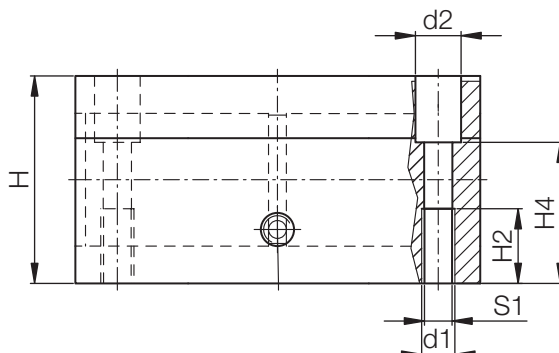
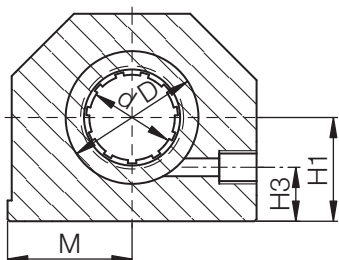
DryLin® R

Phone +49 - 22 03 - 96 49-145
 Fax +49 - 22 03 - 96 49-334

igus® GmbH
 51147 Cologne

Internet www.igus.de
 E-mail info@igus.de

64.40



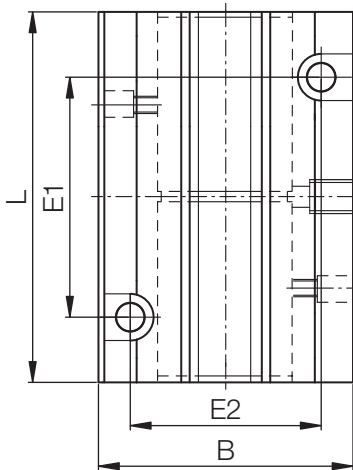
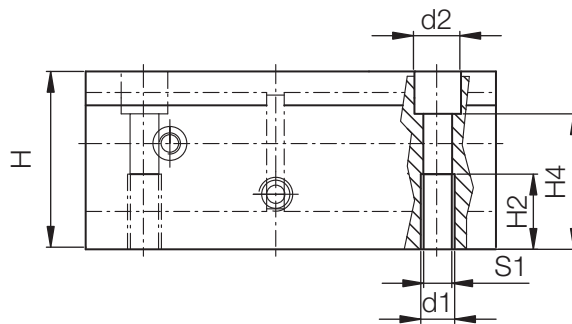
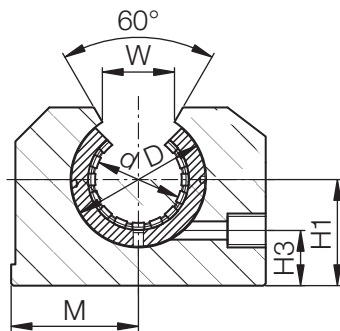
Dimensions [mm]

Part No.	Self-aligning with RJUM-01	Self-aligning with RJUM-03	All Polymer Bearing with RJM-01	d [mm]	D [mm]	H [mm]	H1 [mm]	H2 [mm]	H3 [mm]	H4 [mm]	S1 [mm]	B [mm]	L [mm]	M [mm]	E1 [mm]	E2 [mm]	d1 [mm]	d2 [mm]
					H6		+0,01						+0,3	±0,02	±0,15	±0,15		
RTA-01-08	-	RTA-04-08		8	16	28	13	13	8	23	M 5	35	62	17,5	35	25	4,20	8
RTA-01-12	RTA-03-12	RTA-04-12		12	22	35	18	13	10	25	M 6	43	76	21,5	40	30	5,20	10
RTA-01-16	RTA-03-16	RTA-04-16		16	26	42	22	13	12	30	M 6	53	84	26,5	45	36	5,20	10
RTA-01-20	RTA-03-20	RTA-04-20		20	32	50	25	18	13	34	M 8	60	104	30,0	55	45	6,80	11
RTA-01-25	RTA-03-25	RTA-04-25		25	40	60	30	22	15	40	M10	78	130	39,0	70	54	8,60	15
RTA-01-30	RTA-03-30	RTA-04-30		30	47	70	35	26	16	48	M12	87	152	43,5	85	62	10,30	18
RTA-01-40	RTA-03-40	RTA-04-40		40	62	90	45	34	20	60	M16	108	176	54,0	100	80	14,25	20



Special properties

- Housing: aluminium
- Equipped with DryLin® R linear plain bearings, Part No. OJUM-01-ø or OJUM-03-ø
- Can be combined with DryLin® R housing bearing, Part No. OJUM-06-ø
- Securing of the bearing in the housing is done using set screws
- Mounting bolts DIN 912-8.8, washer DIN 7980
- Recommended tolerance for the shaft: h6 - h10 (see igus® supported shafts p. 64.46)
- Available from stock



DryLin® R
mm

Phone +49 - 22 03 - 96 49-145
Fax +49 - 22 03 - 96 49-334

Dimensions [mm]

Part No.	Self-aligning with OJUM-01	OJUM-03	d [mm]	D [mm]	H [mm]	H1 [mm]	H2 [mm]	H3 [mm]	H4 [mm]	S1 [mm]	B [mm]	L [mm]	M [mm]	E1 [mm]	E2 [mm]	d1 [mm]	d2 [mm]	W [mm]
Standard	with OJUM-03			H6		+0,01						+0,3	±0,02	±0,15	±0,15			
OTA-01-12	OTA-03-12		12	22	30	18	13	10	25	M 6	43	76	21,5	40	30	5,20	10	14
OTA-01-16	OTA-03-16		16	26	35	22	13	12	30	M 6	53	84	26,5	45	36	5,20	10	17
OTA-01-20	OTA-03-20		20	32	42	25	18	13	34	M 8	60	104	30,0	55	45	6,80	11	17
OTA-01-25	OTA-03-25		25	40	51	30	22	15	40	M10	78	130	39,0	70	54	8,60	15	21
OTA-01-30	OTA-03-30		30	47	60	35	26	16	48	M12	87	152	43,5	85	62	10,30	18	21
OTA-01-40	OTA-03-40		40	62	77	45	34	20	60	M16	108	176	54,0	100	80	14,25	20	27

Information icon (i)

Unit selector: mm (selected) / Inch



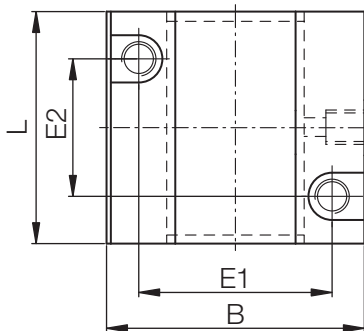
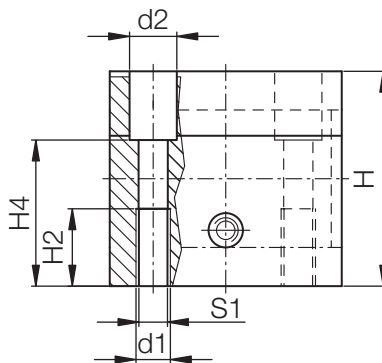
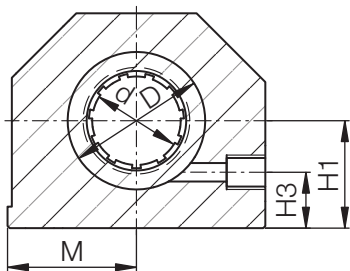
mm

DryLin® R



Special properties

- Housing: aluminium
- Equipped with DryLin® R linear plain bearings, part no. RJUM-01-ø, RJUM-03-ø or RJM-01
- Can be combined with DryLin® R housing bearing, part no. RJUM-06-ø
- The bearing in the housing is secured using DIN 472 circlips
- Recommended tolerance for the shaft: h6 - h10 (see igus® shafts p. 64.44)
- Available from stock



Phone +49 - 22 03 - 96 49-145
Fax +49 - 22 03 - 96 49-334

igus® GmbH
51147 Cologne

Internet www.igus.de
E-mail info@igus.de

64.42

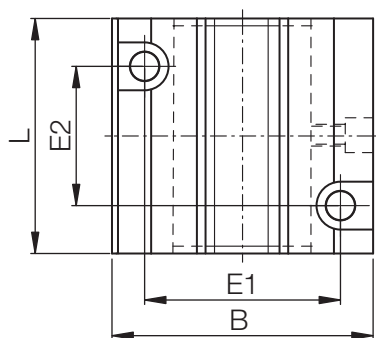
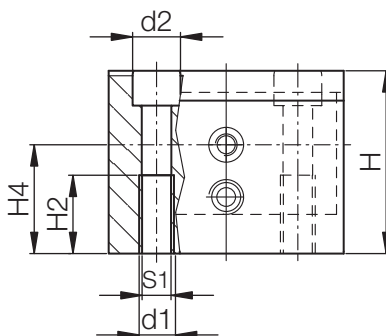
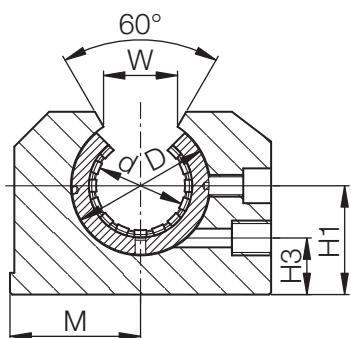
Dimensions [mm]

Part No.	Self-aligning	All Polymer	d	D	H	H1	H2	H3	H4	S1	B	L	M	E1	E2	d1	d2
Standard	with	Bearing	[mm]	[mm]	[mm]	[mm]	[mm]	[mm]	[mm]	[mm]	[mm]	[mm]	[mm]	[mm]	[mm]	[mm]	[mm]
with	RJUM-03	with	H6			+0,01					+0,3	±0,3	±0,02	±0,15			
RJUM-01		RJM-01				-0,02											
RGA-01-08	-	RGA-04-08	8	16	28	13	10	8	14	M 4	35	32	17,5	25	20	3,2	6
RGA-01-12	RGA-03-12	RGA-04-12	12	22	35	18	11	10	25	M 5	43	39	21,5	32	23	4,2	6
RGA-01-16	RGA-03-16	RGA-04-16	16	26	42	22	13	12	30	M 6	53	43	26,5	40	26	5,2	10
RGA-01-20	RGA-03-20	RGA-04-20	20	32	50	25	18	13	34	M 8	60	54	30,0	45	32	6,8	11
RGA-01-25	RGA-03-25	RGA-04-25	25	40	60	30	22	15	40	M10	78	67	39,0	60	40	8,6	15
RGA-01-30	RGA-03-30	RGA-04-30	30	47	70	35	22	16	48	M10	87	79	43,5	68	45	8,6	15
RGA-01-40	RGA-03-40	RGA-04-40	40	62	90	45	26	20	60	M12	108	91	54,0	86	58	10,3	18



Special properties

- Housing: aluminium
- Equipped with DryLin® linear plain bearings OJUM-01-ø or OJUM-03-ø
- Can be combined with DryLin® R housing bearing OJUM-06-ø
- The bearing of the housing is secured using set screws
- Recommended tolerance for the shaft: h6 - h10 (see igus® supported shafts p. 64.46)
- Available from stock

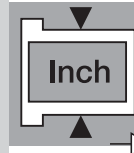
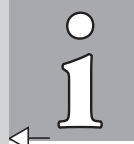


Dimensions [mm]

Part No.	Self-aligning	d	D	H	H1	H2	H3	H4	S1	B	L	M	E1	E2	d1	d2	W
Standard with OJUM-01	aligning with OJUM-03	[mm]	[mm]	[mm]	[mm]	[mm]	[mm]	[mm]	[mm]	[mm]	[mm]	[mm]	[mm]	[mm]	[mm]	[mm]	[mm]
		H6			+0,01					+0,3	±0,3	±0,02	±0,15				+0,6
					-0,02												
OGA-01-12	OGA-03-12	12	22	28	18	11	8	25	M 5	43	39	21,5	32	23	4,2	8	14
OGA-01-16	OGA-03-16	16	26	35	22	13	12	30	M 6	53	43	26,5	40	26	5,2	10	17
OGA-01-20	OGA-03-20	20	32	42	25	18	13	34	M 8	60	54	30,0	45	32	6,8	11	17
OGA-01-25	OGA-03-25	25	40	51	30	22	15	40	M10	78	67	39,0	60	40	8,6	15	21
OGA-01-30	OGA-03-30	30	47	60	35	22	16	48	M10	87	79	43,5	68	45	8,6	15	21
OGA-01-40	OGA-03-40	40	62	77	45	26	20	60	M12	108	91	54,0	86	58	10,3	18	27

DryLin® R
mm

Phone +49 - 22 03 - 96 49-145
Fax +49 - 22 03 - 96 49-334





mm

DryLin® R

Phone +49 - 22 03 - 96 49-145
 Fax +49 - 22 03 - 96 49-334

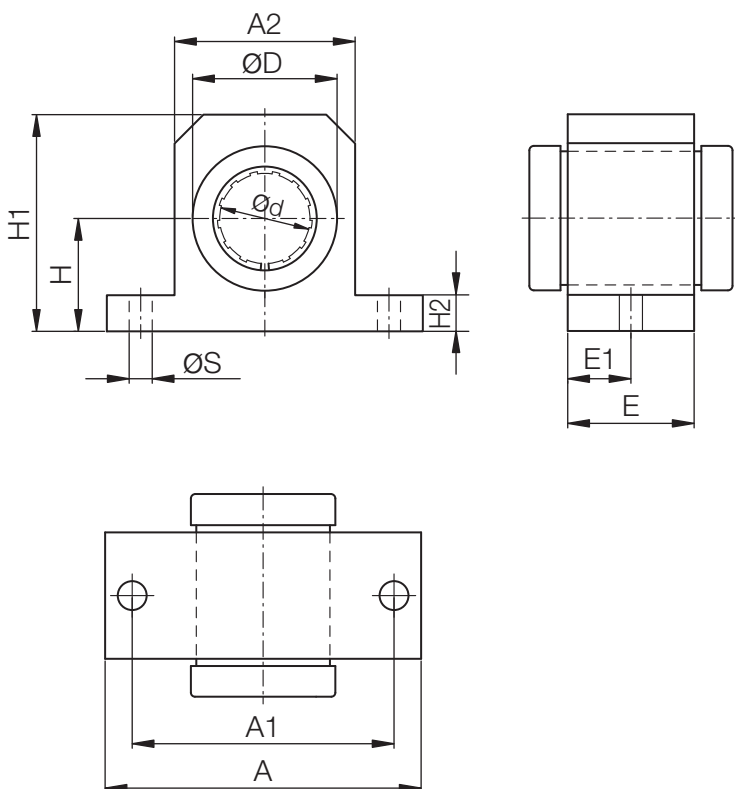
igus® GmbH
 51147 Cologne

Internet www.igus.de
 E-mail info@igus.de



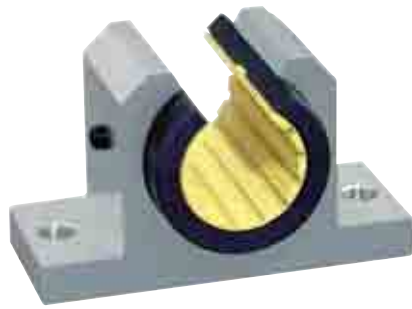
Special properties

- Housing: aluminium
- Equipped with DryLin® R linear plain bearings, part no. RJUM-01-ø or RJUM-03-ø
- Can be combined with DryLin® R housing bearing RJUM-06-ø
- The bearing of the housing is secured using DIN 472 circlips
- Design styles:
 - Standard: RGAS-01-Ø
 - Self-aligning: RGAS-03-Ø
 - All polymer bearing (low cost, low weight): RGAS-04-Ø
- Recommended tolerance for the shaft: h6 - h10 (see igus® shafts p. 64.44)
- Available from stock



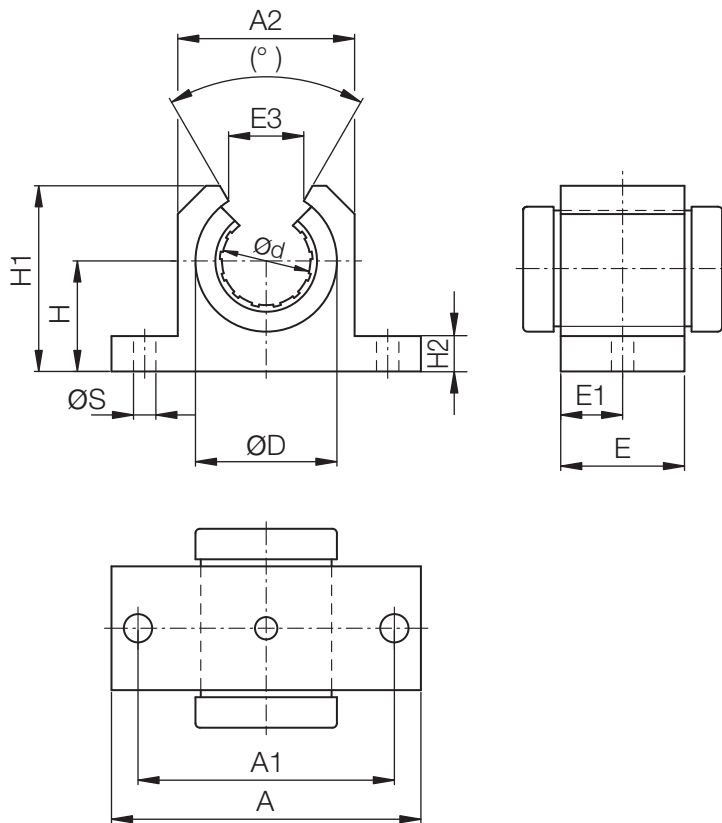
Dimensions [mm]

Part No.	Self-aligning	All Polymer	d	D	H	H1	H2	A	A1	A2	E	E1	S
Standard with RJUM-01	with RJUM-03	Bearing with RJM-01	[mm]	[mm]	[mm]	[mm]	[mm]	[mm]	[mm]	[mm]	[mm]	[mm]	[mm]
RGAS-01-12	RGAS-03-12	RGAS-04-12	12	22	18	35	6	52	42	30	20	10	5,3
RGAS-01-16	RGAS-03-16	RGAS-04-16	16	26	22	40,5	7	56	46	34	22	11	5,3
RGAS-01-20	RGAS-03-20	RGAS-04-20	20	32	25	48,0	8	70	58	40	28	14	6,4
RGAS-01-25	RGAS-03-25	RGAS-04-25	25	40	30	58,0	10	80	68	50	40	20	6,4
RGAS-01-30	RGAS-03-30	RGAS-04-30	30	47	35	67,0	10	88	76	58	48	24	6,4
RGAS-01-40	RGAS-03-40	RGAS-04-40	40	62	45	85,0	12	108	94	74	56	28	8,4



Special properties

- Housing: aluminium
- Equipped with DryLin® R linear plain bearings, part no. OJUM-01-ø or OJUM-03-ø
- Can be combined with DryLin® R housing bearing, part no. OJUM-06-ø
- The bearing of the housing is secured using set screws
- Recommended tolerance for the shaft: h6 - h10 (see igus® supported shafts p. 64.46)
- Available from stock



DryLin® R
mm

Phone +49 - 22 03 - 96 49-145
Fax +49 - 22 03 - 96 49-334

Dimensions [mm]

Part No.	Self-aligning with	d [mm]	D [mm]	H [mm]	H1 [mm]	H2 [mm]	A [mm]	A1 [mm]	A2 [mm]	E [mm]	E1 [mm]	E3 [mm]	(°)	S [mm]
Standard with OJUM-01	OJUM-03													
OGAS-01-12	OGAS-03-12	12	22	18	28	6	52	42	30	20	10	14	78	5,3
OGAS-01-16	OGAS-03-16	16	26	22	33,5	7	56	46	34	22	11	17	78	5,3
OGAS-01-20	OGAS-03-20	20	32	25	42	8	70	58	40	28	14	17	60	6,4
OGAS-01-25	OGAS-03-25	25	40	30	51	10	80	68	50	40	20	21	60	6,4
OGAS-01-30	OGAS-03-30	30	47	35	60	10	88	76	58	48	24	21	54	6,4
OGAS-01-40	OGAS-03-40	40	62	45	77	12	108	94	74	56	28	27	54	8,4

Information icon (i) and unit selection buttons (mm and Inch).