

DZR 20/2 B E Ex e



short description

Axial duct fan, DN 200, three-phase AC, explosion proof

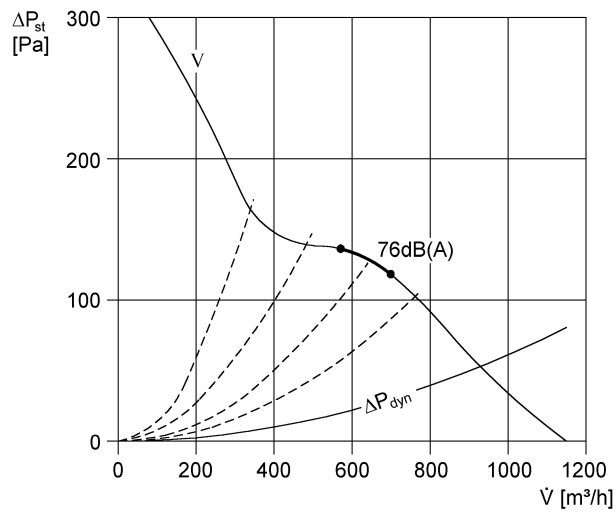
Article number 0086.0700

Technical Data

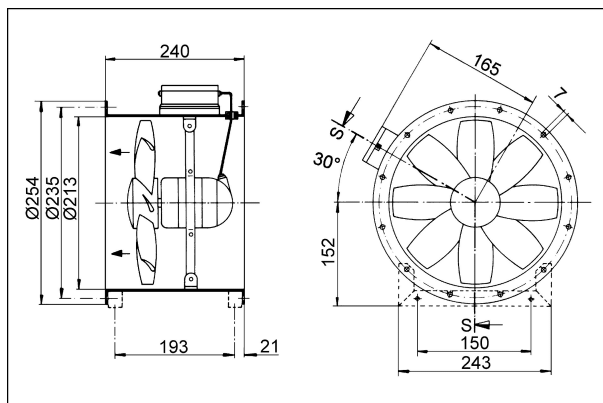
Air flow volume	1,150 m³/h
Rotating speed	2,950 1/min
Speed controllable	✓
Reversing capacity	✓
Type of voltage	Three-phase AC
Rated voltage	400 V
Frequency	50 Hz
Nominal output	65 W
I_{nom}	0.23 A
I_A / I_N	7.3
Degree of protection (IP)	54
Insulation class	F
Installation site	Duct
Installation position	vertical, horizontal
Housing material	Sheet steel, galvanised
Weight	8.2 kg
Nominal size	200 mm
Airstream temperature at nominal current	40 °C
Airstream temperature at I_{Max}	40 °C
Explosion protection	Ex II 2G
Temperature class	T4
Range	C
EAN	4012799867005
Total L_{WA5} , high (free inlet sound power level)	80 dB(A)

DZR 20/2 B E Ex e

Characteristic curve



Dimensions [mm]



Number of flange holes: 6