



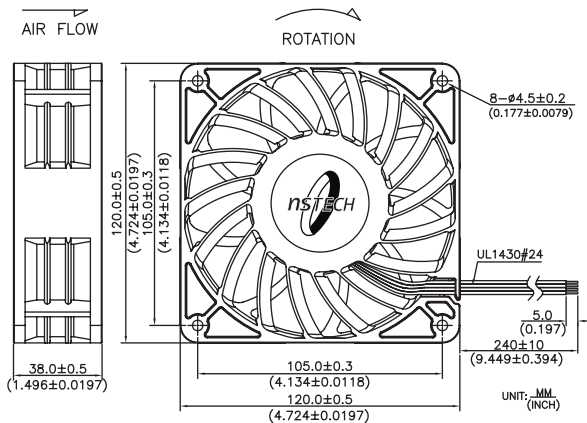
Excellence Series (PE) 120mmx120mmx38mm



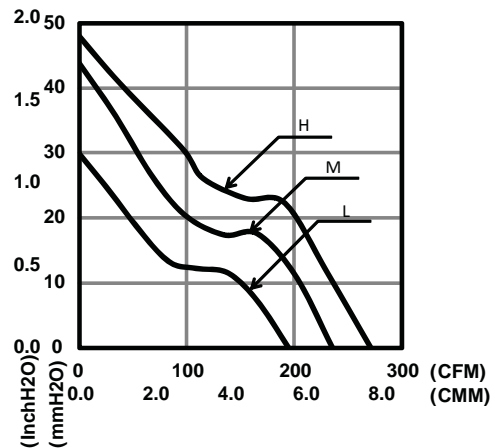
- Bearing Type : Ball Bearing
- Function Type (Optional): FG Signal, RD Signal, PWM
- Protection :
Auto Restart Protection, Polarity Reverse Protection
- Lead Wire :
UL 1430 AWG #24 OR Equivalent
Red Wire : Positive (+)
Black Wire : Negative (-)
Yellow Wire : FG Signal, RD Signal
Blue Wire : PWM



★ Dimensions Drawing



★ Performance Curves



Specification												
Model	Function Type	Rated Voltage	Operating Voltage	Rated Current	Input Current	Input Power	Rated Speed	Air Flow		Air Pressure		Noise
		VDC	VDC	Amp	Amp	Watt	RPM	CMM	CFM	mmH ₂ O	InH ₂ O	dBA
PEAD2A238BL	P000/PF00	12	6~13.8	2.25	2.00	24.00	4700	5.84	206.3	32.56	1.28	59.5
PEAD2A238BM	PR00/M000	12	6~13.8	3.69	3.00	36.00	5700	6.66	235.1	43.79	1.72	65.5
PEAD2A238BH	MF00/MR00	12	6~13.8	5.44	4.35	52.20	6500	7.68	271.2	47.99	1.89	68.5
PEAD2A238BL	P000/PF00	24	16~27.6	1.08	0.86	20.64	4700	5.84	206.3	32.56	1.28	59.5
PEAD2A238BM	PR00/M000	24	16~27.6	1.75	1.40	33.60	5700	6.66	235.1	43.79	1.72	65.5
PEAD2A238BH	MF00/MR00	24	16~27.6	2.63	2.10	50.40	6500	7.68	271.2	47.99	1.89	68.5
PEAD4A238BL	P000/PF00	48	30~55.2	0.54	0.43	20.64	4700	5.84	206.3	32.56	1.28	59.5
PEAD4A238BM	PR00/M000	48	30~55.2	0.88	0.70	33.60	5700	6.66	235.1	43.79	1.72	65.5
PEAD4A238BH	MF00/MR00	48	30~55.2	1.25	1.00	48.00	6500	7.68	271.2	47.99	1.89	68.5

* Function type is optional
 * The data shows typical value at rated voltage
 * Sound level is measured at the distance of one meter from fan intake side
 * Specifications are subject to change without notice