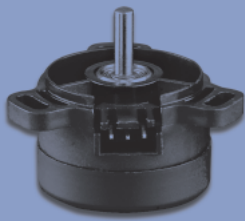


## Sensor Potentiometers

Series SP2500



### Special features

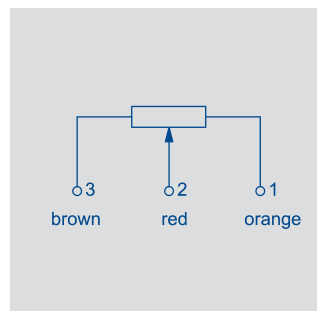
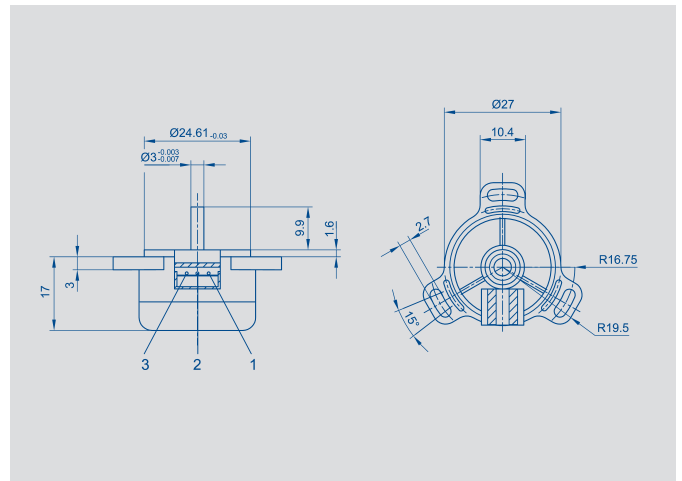
- Precision despite small dimensions for an inexpensive price
- very long life  $50 \times 10^6$  movements
- very good linearity - standard  $\pm 0.3\%$
- very high resolution - better than  $0.01^\circ$
- unrestricted continuous rotation
- easy assembly by a synchroflange with 3 mounting plates
- optimal connection by an integrated snap-connector

Precision potentiometer for measuring, control and instrumentation applications.

The distinguishing features of the SP 2500 include plastic housing, ball-bearings, a conductive resistance element and elastomer-damped wipers.

Fixings are in the form of elongated slots which allow simplicity in mounting together with ease of mechanical adjustment.

Reliability, long life, linearity, resolution and corrosion resistance further differentiate the SP25.



Description	
Size	servo size 11
Housing	two- part; housing and cover high-grade, temperature-resistant plastic
Shaft	stainless steel
Bearings	stainless steel
Resistance element	conductive plastic
Wiper assembly	precious metal multi-finger wiper
Electrical connections	3-pin snap connection

Novotechnik  
 Messwertaufnehmer OHG  
 Postfach 4220  
 73745 Ostfildern (Ruit)  
 Horbstraße 12  
 73760 Ostfildern (Ruit)  
 Tel. +49 711 44 89-0  
 Fax +49 711 44 89-150  
 info@novotechnik.de  
 www.novotechnik.de

© 01/2007  
 Art.-Nr.: 062 738  
 Subject to changes  
 Printed in Germany

<b>Type Designations</b>	<b>SPK2501 A5033</b>	<b>SPK2501 A1812</b>
--------------------------	----------------------	----------------------

<b>Mechanical Data</b>		
------------------------	--	--

Dimensions	see dimension drawing	
Mounting	with 3 cylinder screws M 2.5 and washers	
Mechanical travel	360 continuous	°
Permitted shaft loading (axial and radial) static or dynamic force	15	N
Torque	≤ 0.1	Ncm
Max. allowed rotational velocity	10 <sup>4</sup>	rad/s <sup>2</sup>
Weight	15	g

<b>Electrical Data</b>		
------------------------	--	--

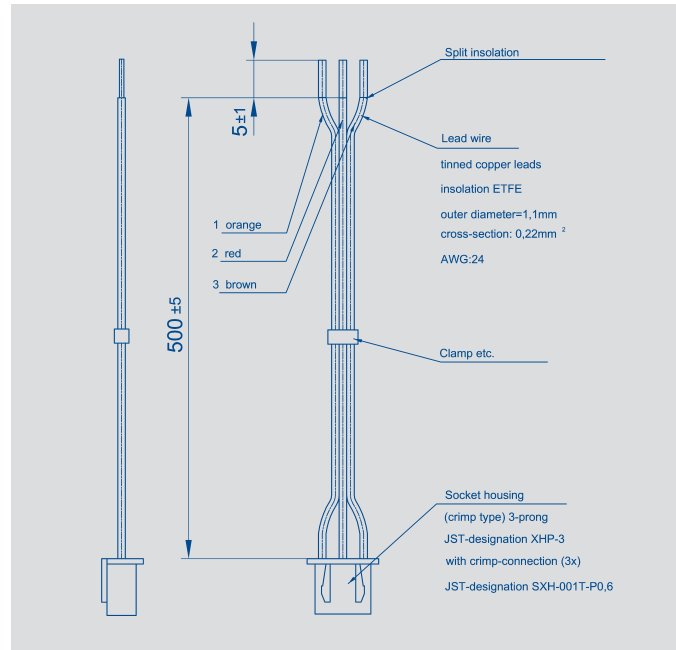
Actual electrical travel	335 ±2	120 ±2	°
Nominal resistance	5.0	1.8	kΩ
Resistance tolerance	-0 ... +40		%
Repeatability	0.003 ( 0.00°)		%
Effective temperature coefficient of the output-to-applied voltage ratio	typical 5		ppm/K
Independent linearity	± 0.3	± 0.6	%
Max. permissible applied voltage	42		V
Recommended operating wiper current	≤ 1		μA
Max. wiper current in case of malfunction	10		mA
Insulation resistance (500 VDC, 1 bar, 2 s)	≥ 10		MΩ
Dielectric strength (50 Hz, 2 s, 1 bar, 500 VAC)	≤ 100		μA

<b>Environmental Data</b>		
---------------------------	--	--

Temperature range	-40...+85	°C
Vibration	5...2000 A <sub>max</sub> = 0.75 a <sub>max</sub> = 20	Hz mm g
Shock	50 11	g ms
Llfe (limitation on movements over dead zone)	50 x 10 <sup>6</sup>	movem.
Protection class	IP 40 (DIN 400 50 / IEC 529)	

<b>Order Designations</b>		
---------------------------	--	--

Type	Art.no.	R in kΩ
SPK2501 A5033	038001	5
SPK2501 A1812	038002	1.8
Cable set ZK1-500	059013	



### Recommended accessories

Fork coupling Z103 G3 (backlash free),  
 Process-controlled indicators  
 Signal conditioner MUP... /  
 MUK ... for standardized output signals

### Important

All the values given in this data sheet for linearity, lifetime and temperature coefficient in the voltage dividing mode are quoted for the device operating with the wiper voltage driving on operational amplifier working as a voltage follower, where virtually no load is applied to the wiper ( $I_e \leq 1 \mu A$ ).