

R RENOWNED
KNOW-HOW

Automation Technology



RK ROSE+KRIEGER

A Phoenix Mecano Company



**We are your *competent*
partner for cable routing**

...ensuring your production processes
don't get left hanging.

BLOCAN®

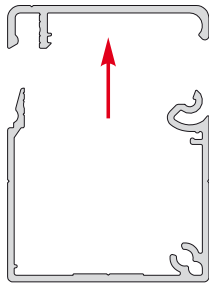
Cable Channel System

BLOCAN® – Cable Channel System

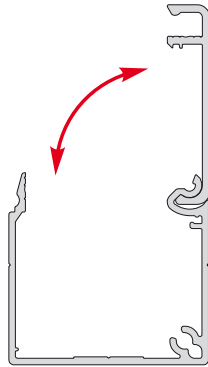
Channel functionality

- ✓ Aluminium cable channel in sizes 40x40, 40x80 and 80x40
- ✓ Smooth and scratch-resistant easy to clean anodised surface

Easy to open / excellent accessibility

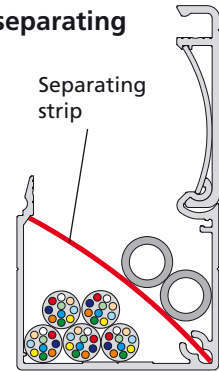


Lift cover to open



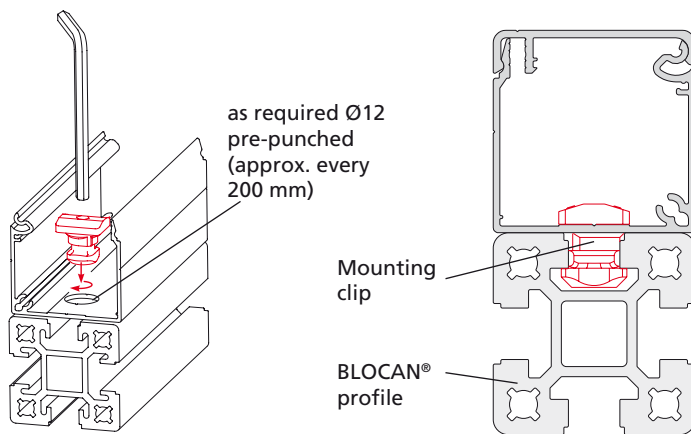
or pivot open.

Arrangement in channel with optional separating strips

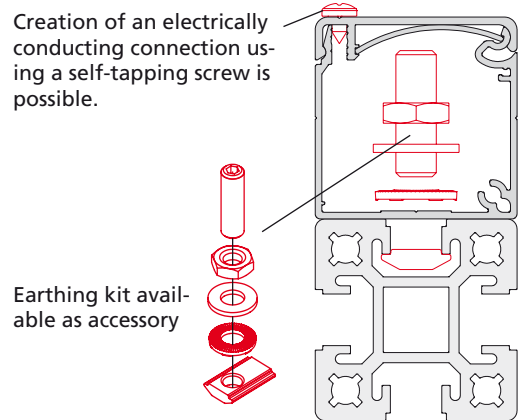


Assembling the channel

Easy assembly (no profile drilling) with BLOCAN profiles

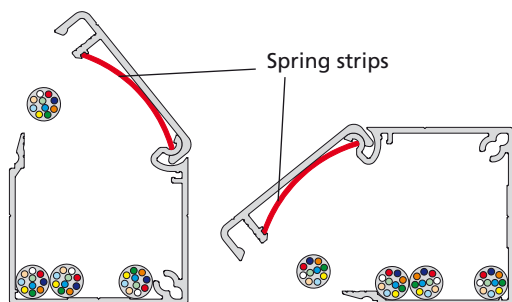


Equipotential bonding

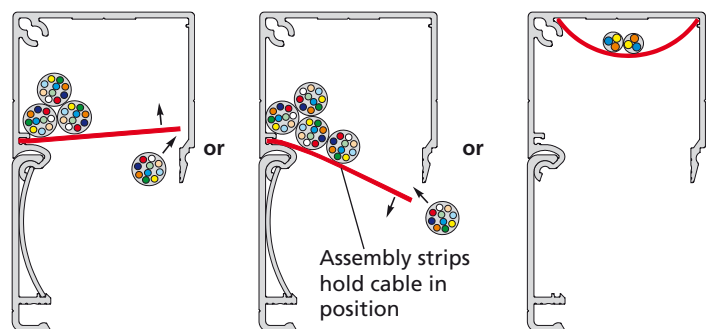


Cable arrangement

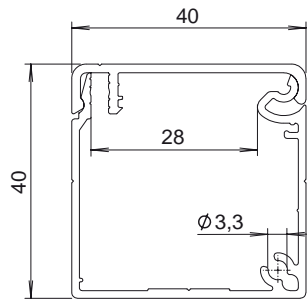
Insertable spring strips hold cover in position



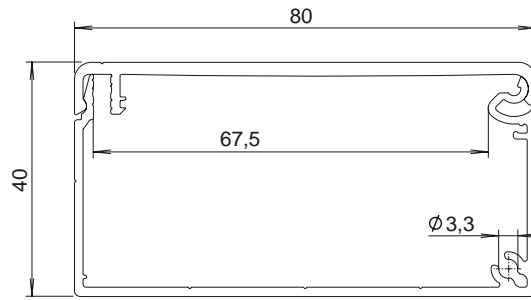
Assembly strips facilitate overhead assembly



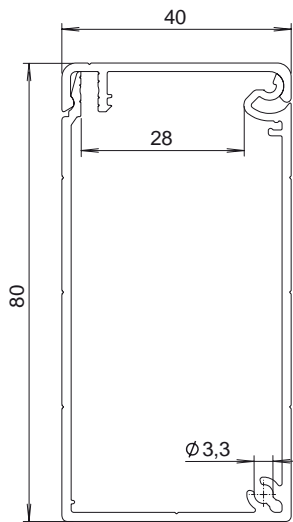
Cable channel profiles



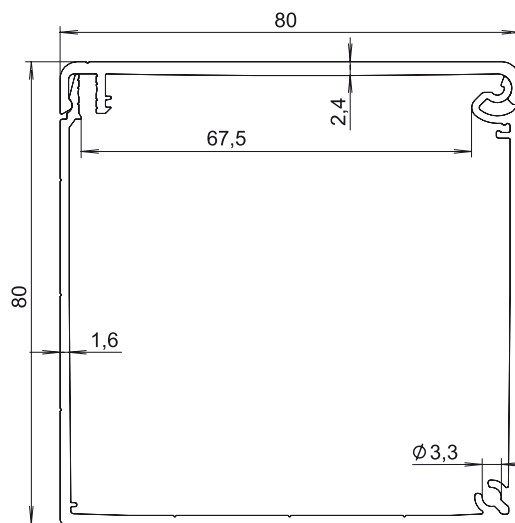
Profile KK-40x40



Profile KK-80x40



Profile KK-40x80



Profile KK-80x80

Code No.	Profile	Version	Weight
4E15A01	KK-40x40, bar 6 m	Channel with mounting holes	0.745 kg/m
4E15A00	KK-40x40, cut to required length		
4E15001	KK-40x40, bar 6 m	Channel without mounting holes	0.747 kg/m
4E15000	KK-40x40, cut to required length		
4E25A01	KK-80x40, bar 6 m	Channel with mounting holes	1.290 kg/m
4E25A00	KK-80x40, cut to required length		
4E25001	KK-80x40, bar 6 m	Channel without mounting holes	1.292 kg/m
4E25000	KK-80x40, cut to required length		
4E35A01	KK-40x80, bar 6 m	Channel with mounting holes	1.152 kg/m
4E35A00	KK-40x80, cut to required length		
4E35001	KK-40x80, bar 6 m	Channel without mounting holes	1.155 kg/m
4E35000	KK-40x80, cut to required length		
4F15A01	KK-80x80, bar 6 m	Channel with mounting holes	1.690 kg/m
4F15A00	KK-80x80, cut to required length		
4F15001	KK-80x80, bar 6 m	Channel without mounting holes	1.693 kg/m
4F15000	KK-80x80, cut to required length		

BLOCAN® – Cable Channel System

Accessories

Spring strips for cover

Material: PVC
Recommended quantity: 5 units/meter



Code No.	for KK profiles	PU
4E18504	40x40, 40x80	10 units
4E28501	80x40, 80x80	10 units

Cover plate

Material: natural anodised aluminium



Code No.	for KK profiles	PU
4E15501	40x40	6 units (incl. fixation material)
4E25501	40x80, 80x40	
4F15501	80x80	

Grommet for cable outlet

Material: Z-PVC
Outlet Ø 22 mm



Code No.	for KK profiles	PU
4E18505	all	6 units

Separating strip

Material: PVC



Code No.	for KK profiles	PU
4E18506	40x40	10 units
4E28502	40x80, 80x40	10 units
4F18501	80x80	10 units

Cable mounting clip

Material: PA-GF30



Code No.	for KK profiles	PU
4E18503	all	10 units

End cover for cable outlet

Material: natural anodised aluminium
Thickness 1.5 mm
Hole Ø 25 mm



Code No.	for KK profiles	PU
4E15502	40x40	6 units (incl. fixation material)
4E25502	40x80, 80x40	
4F15502	80x80	

Membrane grommet for cable outlet

Material: Z-PVC



Code No.	for KK profiles	PU
4E18502	all	6 unit

Edge protection for inlets and profile ends

Material: PVC, grey



Code No.	for KK profiles	PU
4E18501	all	1 unit per 1 m



Assembly strip

Material: PVC



Code No.	for KK profiles	PU
4E18507	40x40, 40x80	10 units
4E28503	80x40	10 units

Cable tie base *

Material: PA66



Code No.	for KK profiles	PU
4F18502	all	10 units

* May be used with channel assembly clip.

Self-tapping screw (ISO 7049 St. 3.5x9.5, type F)



Code No.	for KK profiles	PU
4E16501	all	12 units



Earthing kit



Code No.	for KK profiles	PU
4E16202	all	1 kit (screw, slot stone, washers)

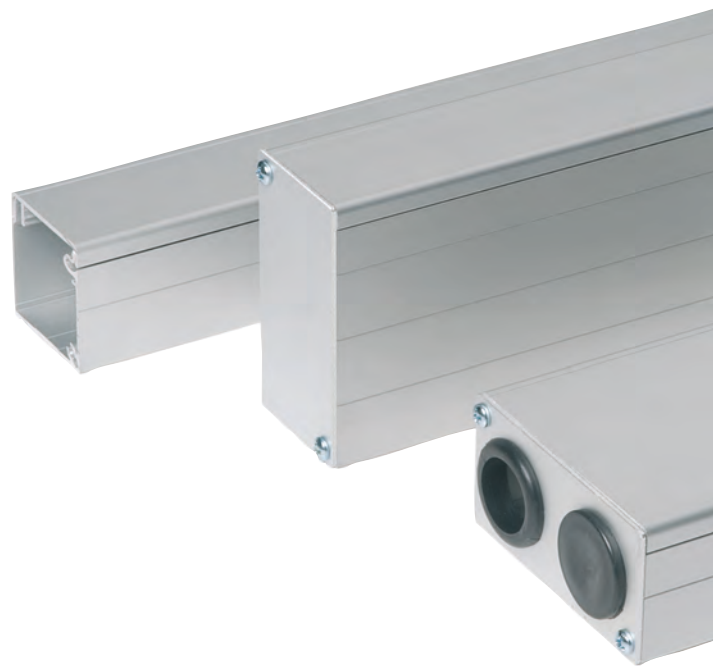
Contact washer

(Equipotential bonding for cover plates)



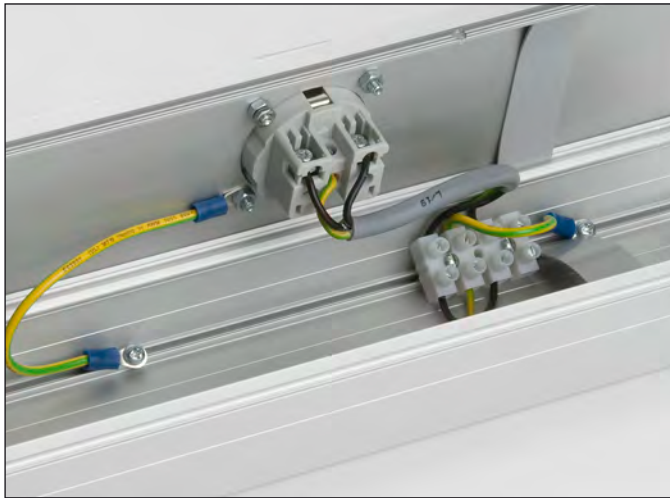
Material: Galvanised steel

Code No.	for KK profiles	PU
4E16503	all	12 units

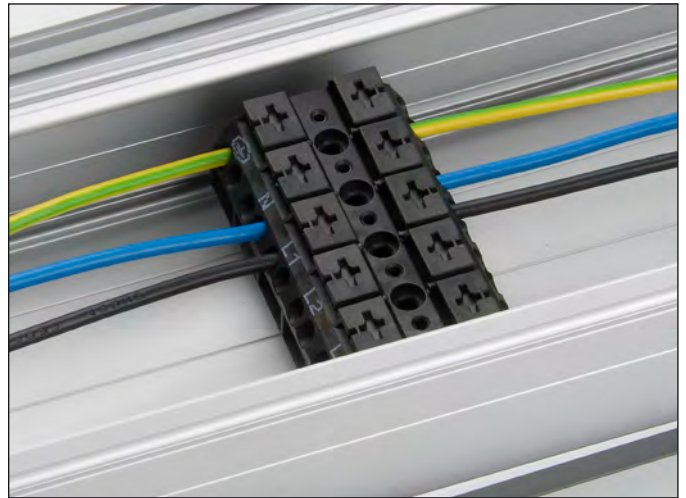


BLOCAN® – Cable Channel System

Application examples



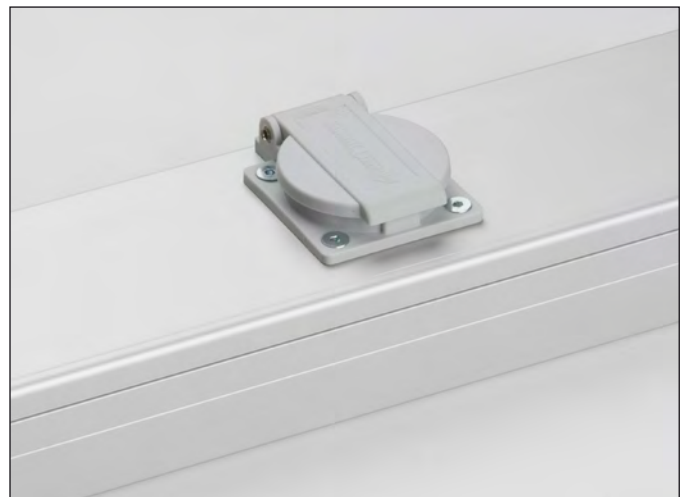
Cable lug for equipotential bonding



Ultra-simple cabling
For example, a Wago terminal block (Series 862) can be fitted onto the cable mounting clip



Can be used with standard sockets



The RK product range



LINEAR TECHNOLOGY

- ✓ Manual adjustment units
- ✓ Electric cylinders
- ✓ Lift columns
- ✓ Linear axes
- ✓ We can move loads for you of up to 3 t up to 12 m dynamically, reliably and with great precision



PROFILE TECHNOLOGY

- ✓ The tried and tested BLOCAN® aluminium assembly system
- ✓ Sections from 20 mm to 320 mm for all applications
- ✓ Joining technology with an unsurpassed combination of flexibility and reliability



JOINING TECHNOLOGY

- ✓ Fittings for the secure combining of round and square tubes
- ✓ Aluminium, steel, stainless steel and plastic elements
- ✓ Sizes from 12 mm to 80 mm



MODULE TECHNOLOGY

- ✓ Machine frames
- ✓ Workstations
- ✓ Protective clothing
- ✓ Multidimensional linear axis modules
- ✓ Complete drive solutions

R RENOWNED
KNOW-HOW


RK ROSE+KRIEGER

A Phoenix Mecano Company

**LINEAR-
PROFILE-
CONNECTING-
MODULE-
TECHNOLOGY**



FAX reply form

Yes, I am interested in the BLOCAN®
profile system. Please:

send me the full BLOCAN components
catalogue

send me a CD-ROM
of the entire range in PDF

contact me

Company: _____

Contact partner: _____

Department: _____

Address: _____

Tel. + Fax: _____

E-mail: _____


RK ROSE+KRIEGER

A Phoenix Mecano Company

Joining and positioning systems

RK Rose+Krieger GmbH
Postfach 15 64
32375 Minden, Germany
Telephone: +49 5 71 93 35-0
Fax: +49 5 71 93 35-119
E-mail: info@rk-online.de
Internet: www.rk-rose-krieger.com